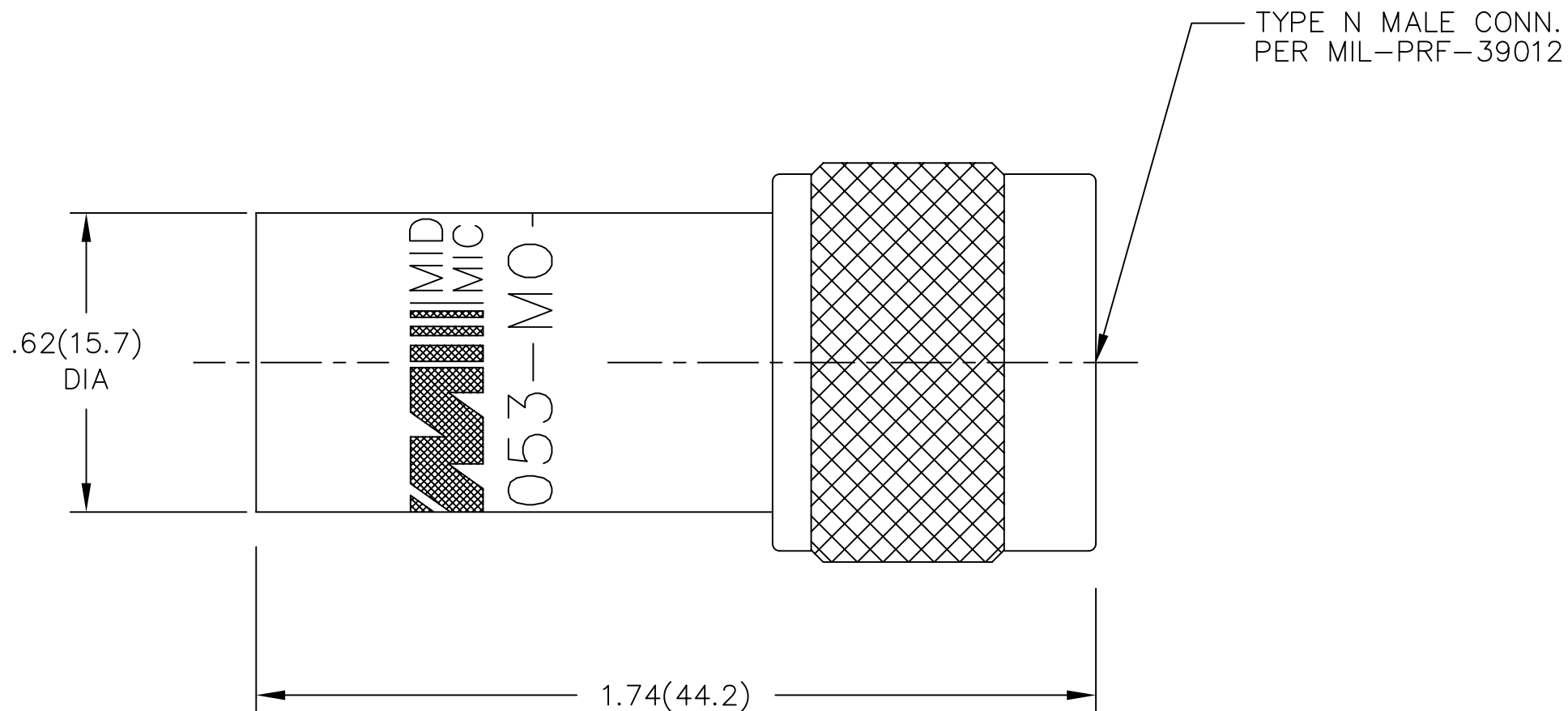


NOTES:

- 1.0 ELECTRICAL SPECIFICATIONS
 - 1.1 FREQUENCY RANGE: DC to 12.4 GHz
 - 1.2 MAXIMUM INPUT POWER:
 - AT +25°C: 2 WATTS
 - AT +125°C: 0.5 WATTS
 - 1.3 OPERATING TEMPERATURE RANGE:
 - 55°C to +125°C
 - 1.4 IMPEDANCE: 50 OHMS
 - 1.5 MAXIMUM VSWR:
 - DC to 4.0 GHz: 1.07:1
 - 4.0 to 12.4 GHz: 1.12:1

2.0 MARK UNIT AS SHOWN.
REF: INK-02611-27-13

3.0 DIMENSIONS IN PARENTHESIS ARE MILLIMETERS.



DWG NO. WAS: 02354-01-00

REV.	DESCRIPTION	DATE
-	RELEASED	3/21/79
A	ECR 6545	6/27/89
A1	REDRAW ON CAD - UPDATE MARKING. ADD SPECS.	7/31/91
B	ECN 12868	8/23/93
C	ECN 13622	5/16/94
C1	ADDED TITLEBLOCK	10/26/05

UNLESS OTHERWISE NOTED DIMENSIONS ARE IN INCHES AND TOLERANCES ARE: 3 PLACE DECIMALS ±.005 2 PLACE DECIMALS ±.02 FRACTIONS ±1/64 PARALLELITY: T.I.R. _____ FLATNESS: T.I.R. _____ CONCENTRICITY: T.I.R. _____ ANGLES AND PERPENDICULARITY: ±1°	FSCM NO. 34078	MIDWEST MICROWAVE	
	NOTICE: The information contained in this drawing is proprietary and must not be used without the permission of Midwest Microwave		TITLE TERMINATION
	DRAWN/DATE A.BEATTY 7/31/91	ENG./DATE G.KOZAK 7/31/91	DRAWING NUMBER TRM-2053-MO-NNN-02
	CHECKED/DATE C.RIGGE 7/31/91	APPROVED/DATE	SCALE: 3=1 SHEET 1 of 1

MODEL NUMBER
TRM-2053-MO-NNN-02
REV.
C1