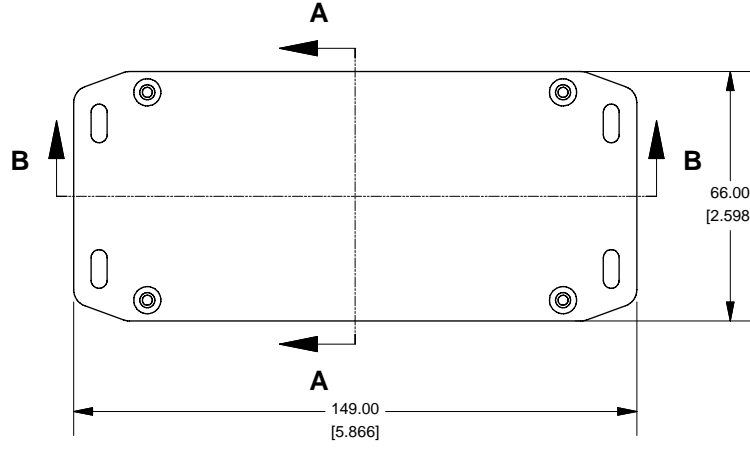
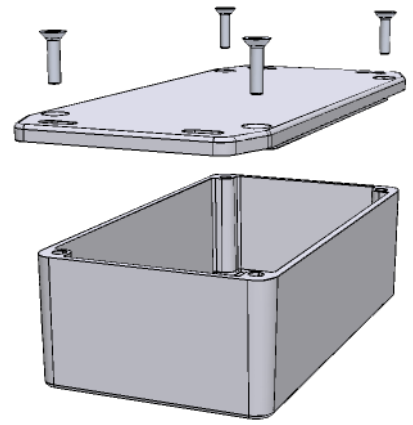
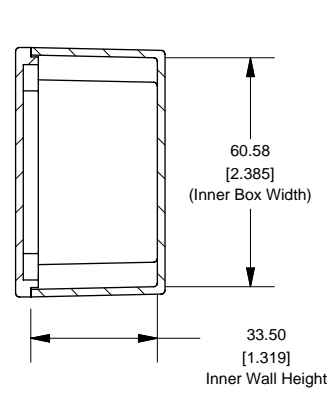


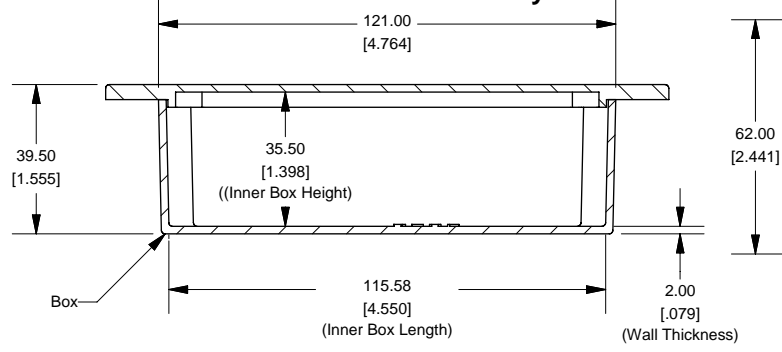
### Top View of Assembly



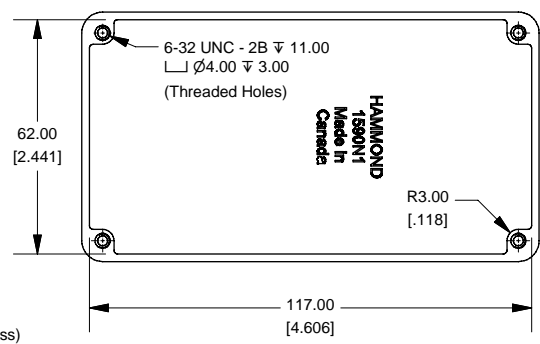
### SECTION A-A End View of Assembly



### SECTION B-B Side View of Assembly



### Top View Looking Inside Box



Enclosures can be Factory Modified ( Milling, Drilling, Printing etc.)  
Contact Factory [mjm@hammondmfg.com](mailto:mjm@hammondmfg.com) for quotes  
Solid models of this enclosure available in STEP or IGES.

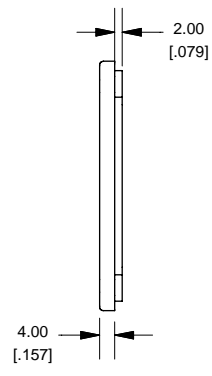
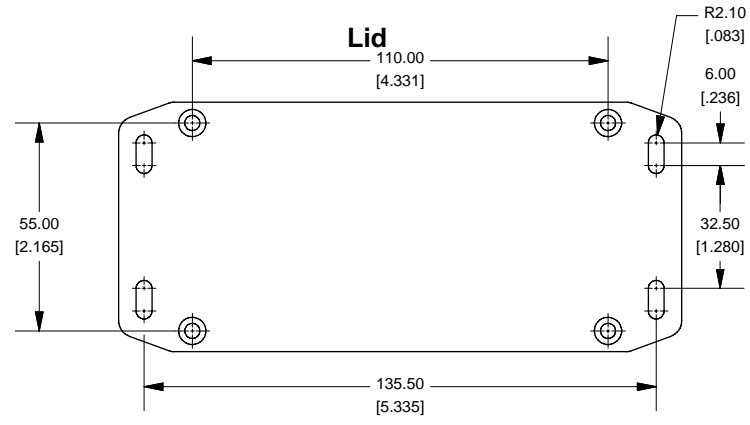
#### NOTE

Purchased assembly includes box, lid and 4 cover screws.  
Box and lid are made from Diecast Aluminum Alloy (alloy type 380).  
Silicone Gasket Loctite #5950

#### PART NUMBERS

<b>1590N1FL Enclosure</b>	
Unfinished	1590N1FL
Grey Textured Polyester Powder Paint - RAL 7038	1590N1FLGY
Black Textured Polyester Powder Paint - RAL 9011	1590N1FLBK
<b>1590N1FL Liquid Resistant Enclosure (Silicon Factory Installed Gasket)</b>	
Unfinished	1590WN1FL
Black Textured Powder Paint	1590WN1FLBK
<b>ACCESSORIES</b>	
<b>Recommended Torque: 75 ozf.in / 55 cN.m</b>	
Black Textured Cover Screws (Pkg 50) [6-32 x 1/2" SS Type 304]	1590WMS100BK
Unfinished Cover Screws (Pkg 100) [6-32 x 1/2" Nickel Plated Screws]	1590WMS100
<b>Standard Cover Screws</b>	
Unfinished Cover Screws (Pkg 100) [6-32 x 1/2" Nickel Plated Screws]	1590MS100
Black Textured Cover Screws (Pkg 50) [6-32 x 1/2" SS Type 304]	1590MS100BK

### Lid



**HAMMOND  
MANUFACTURING™**

**1590N1FL**

[www.hammondmfg.com](http://www.hammondmfg.com)