

DETAILS

Product Number	CA14000_HEIDI-M-NP
Family	Heidi
Type	Assembly
Color	clear
Diameter	21,56 mm
Height	11,60 mm
Style	round
Optic Material	PMMA
Holder Material	
Fastening	tape
Status	production ready
ROHS Compliant	Yes
Date Updated	8/06/2016



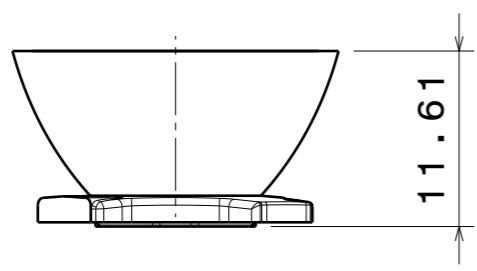
OPTICAL PROPERTIES

LED	Viewing	Light	Effi-		Connector
	Angle	Beam	ciency	cd/lm	
XP-E	sim: 28	Medium	sim: 93 %	sim: 3.972	-
XB-D	sim: 28	Medium	sim: 89 %	sim: 3.589	-
XP-G2	sim: 29	Medium	sim: 92 %	sim: 3.478	-
XP-E2	sim: 29	Medium	sim: 93 %	sim: 3.809	-
ML-E	sim: 28	Medium	sim: 92 %	sim: 3.540	-
XP-G	sim: 28	Medium	sim: 92 %	sim: 3.624	-
XT-E	sim: 28	Medium	sim: 90 %	sim: 3.544	-
H35C0 (LEMWA33)	sim: 28	Medium	sim: 90 %	sim: 3.555	-
107	sim: 28	Medium	sim: 90 %	sim: 3.550	-
NSSW157T	sim: 28	Medium	sim: 93 %	sim: 3.976	-
NF2x757A	sim: 27	Medium	sim: 93 %	sim: 3.744	-
Oslon SSL 80	sim: 29	Medium	sim: 92 %	sim: 3.841	-
Oslon Square PC	sim: 29	Medium	sim: 92 %	sim: 3.551	-
Oslon SSL 150	sim: 29	Medium	sim: 93 %	sim: 4.017	-
LH351Z	30 deg	Medium	89 %	3.300	-
LH351B	29 deg	Medium	88 %	3.100	-
Z5P	sim: 28	Medium	sim: 92 %	sim: 3.686	-

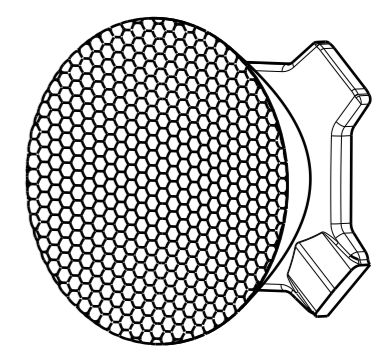
H G F E D C B A

4

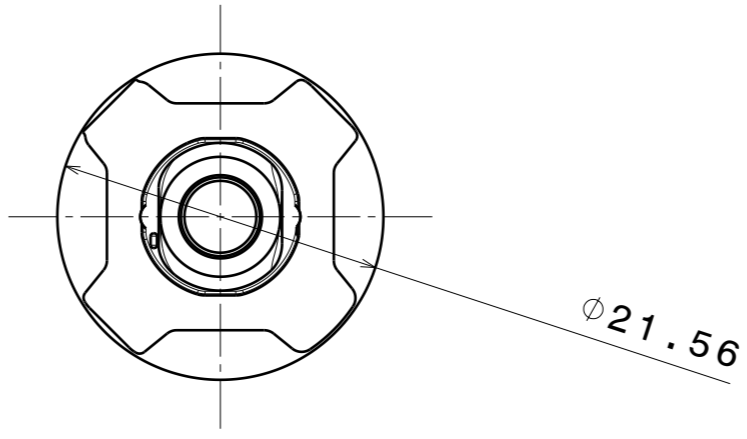
4



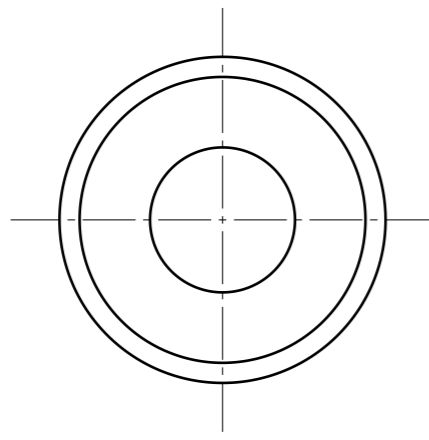
Front view



Isometric view



Bottom view



Top view

3

3

2

2

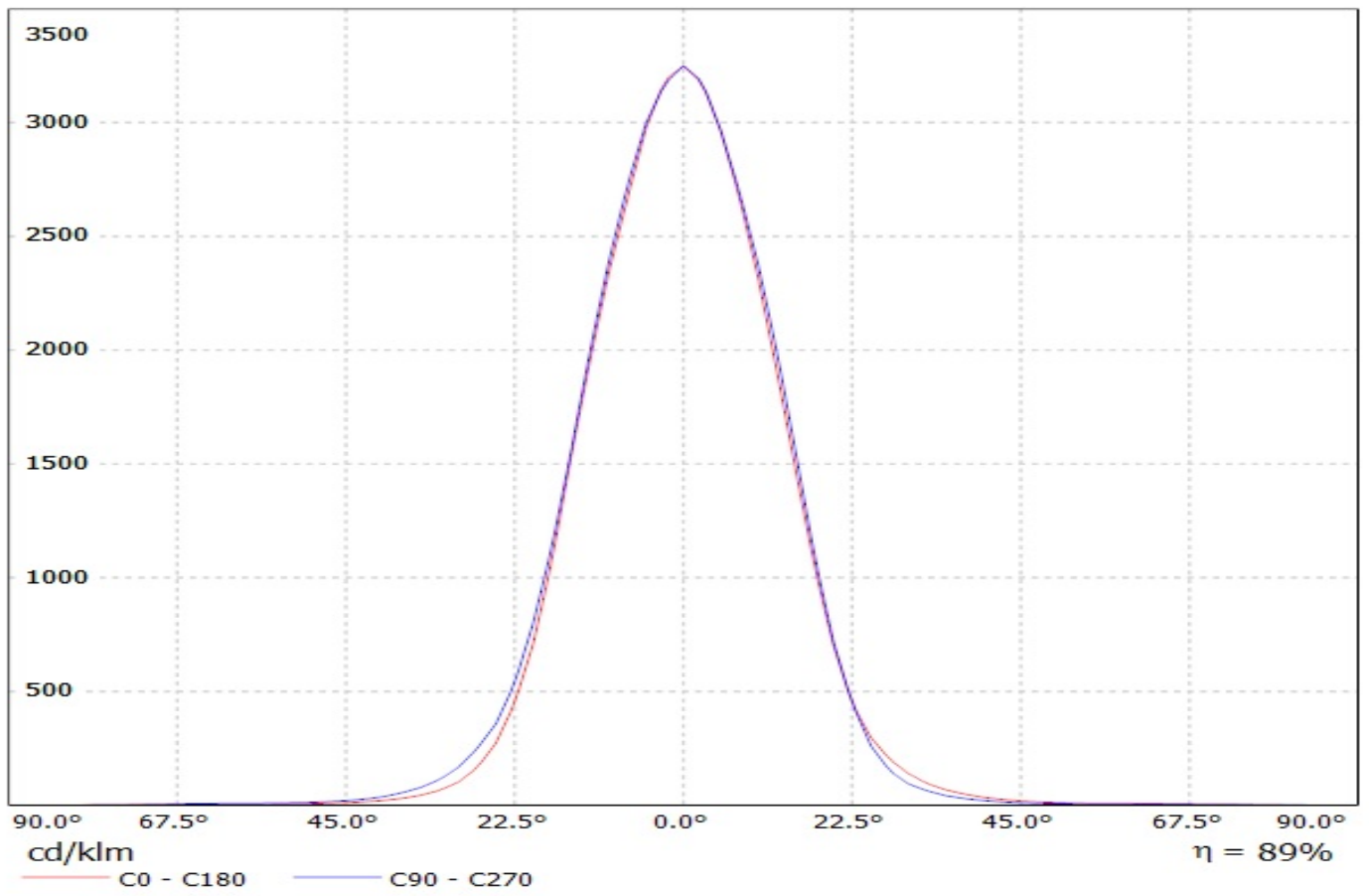
1

1

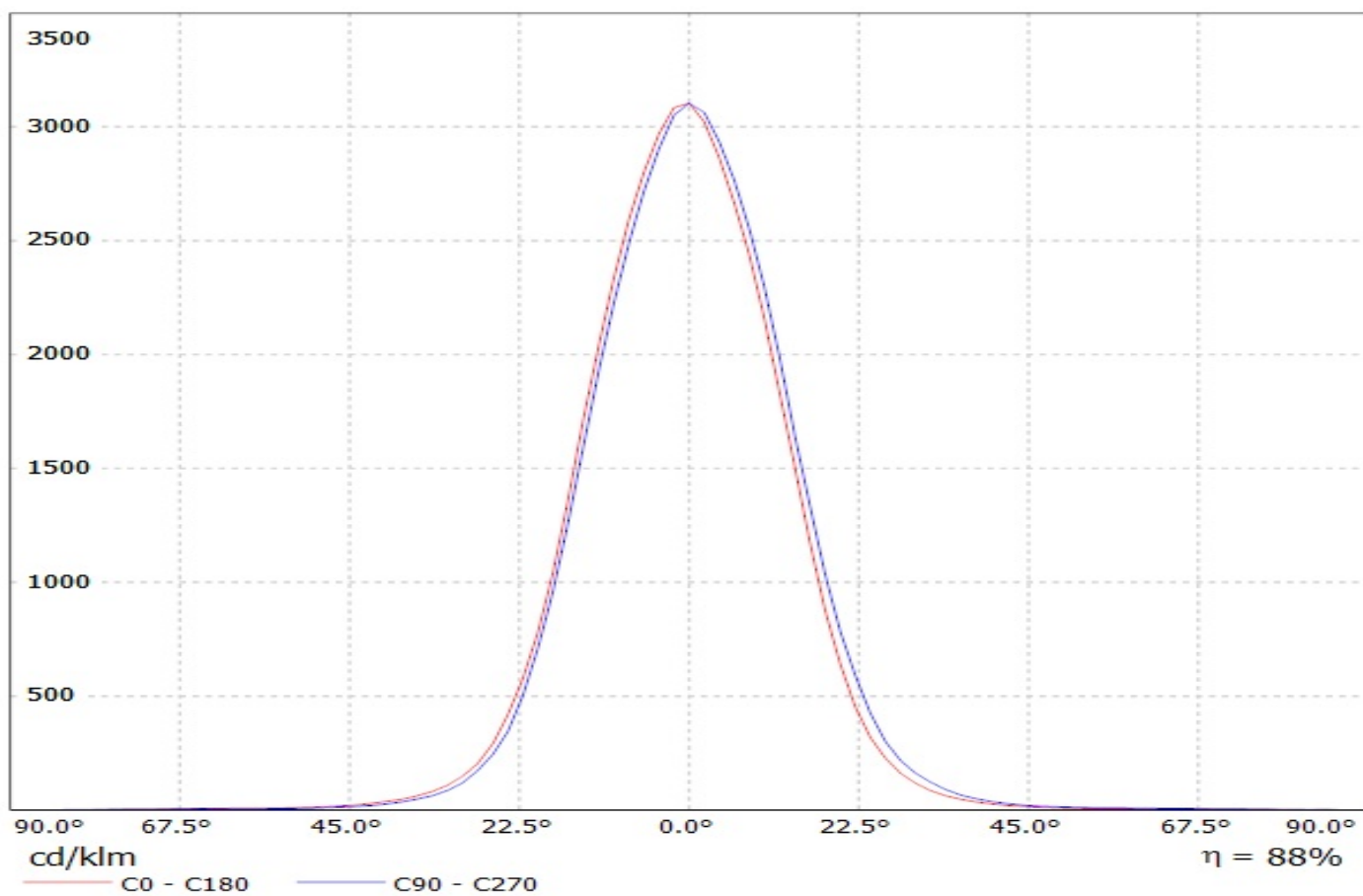
H G F E D C B A

<p>Tolerances if not otherwise shown According to DIN ISO 2768-1 Linear measures: Up to 30mm class M, otherwise class C. According to DIN ISO 2768-2 Form and position: class L</p>		<p>LEDiL Ledil Oy Salorankatu 10 FIN 24240 SALO Finland</p>		
<p>THIRD ANGLE PROJECTION: </p>		<p>DRAWING TITLE Datasheet_HEIDI-M-NP</p>		
<p>This drawing is the property of LEDiL Oy. It may not be reproduced, copied or communicated without a written agreement with LEDiL Oy."</p>		<p>SIZE A3</p>	<p>PART NUMBER C13738</p>	
		<p>SCALE 2:1</p>	<p>WEIGHT (g)</p>	<p>SHEET 1/1</p>

Luminaire: LEDil Oy CA14000_HEIDI-M-NP_(LH351Z)
Lamps: 1 x Samsung LH351Z (90.14lm @ 250mA) CCT=6500K P=0.7W I=250mA

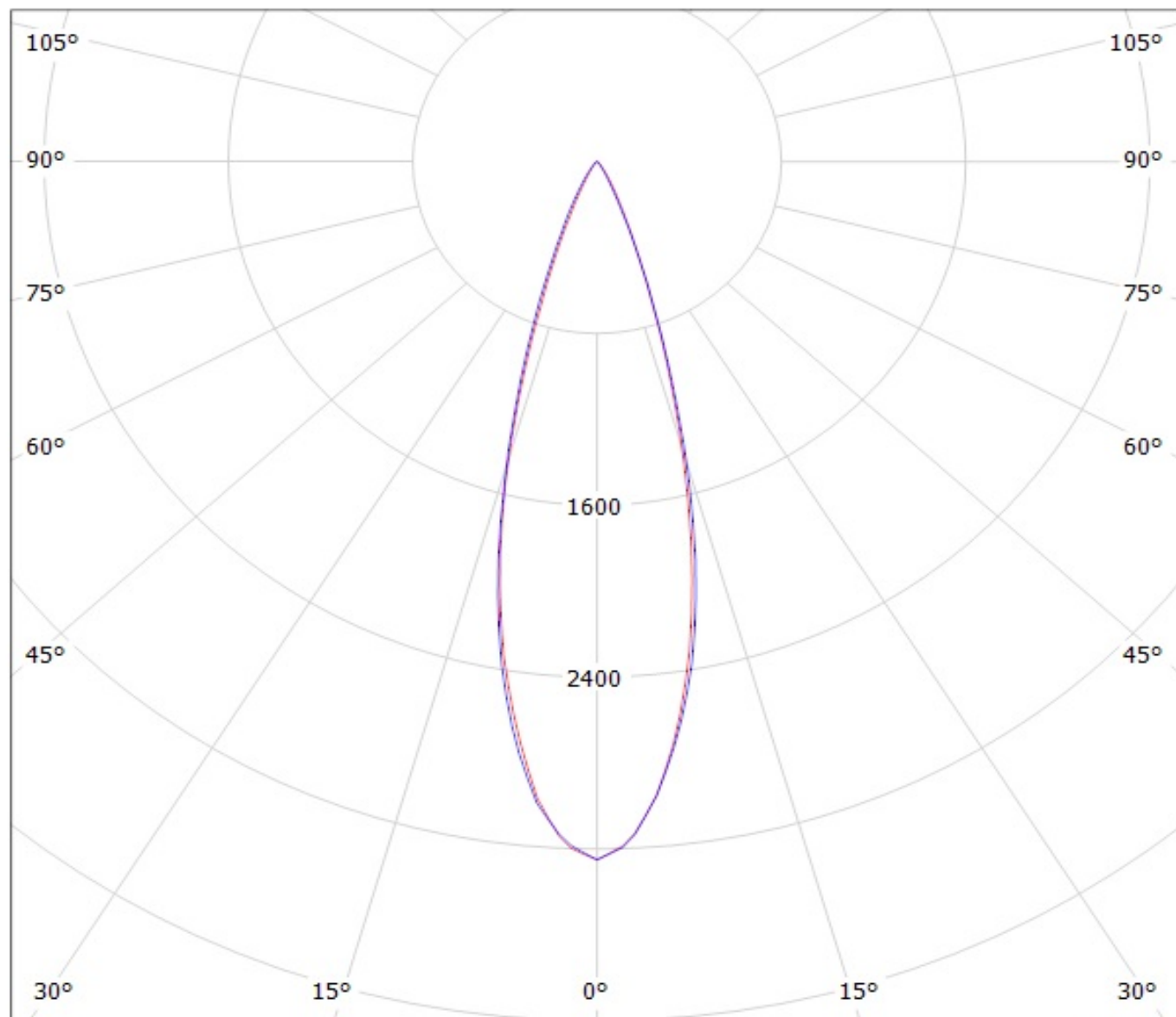


Luminaire: LEDil Oy CA14000_HEIDI-M-NP_(LH351B)
Lamps: 1 x Samsung LH351B (105.7lm @ 250mA) P=0.7W I=250mA



Luminaire: LEDil Oy CA14000_HEIDI-M-NP_(LH351Z)

Lamps: 1 x Samsung LH351Z (90.14lm @ 250mA) CCT=6500K P=0.7W I=250mA



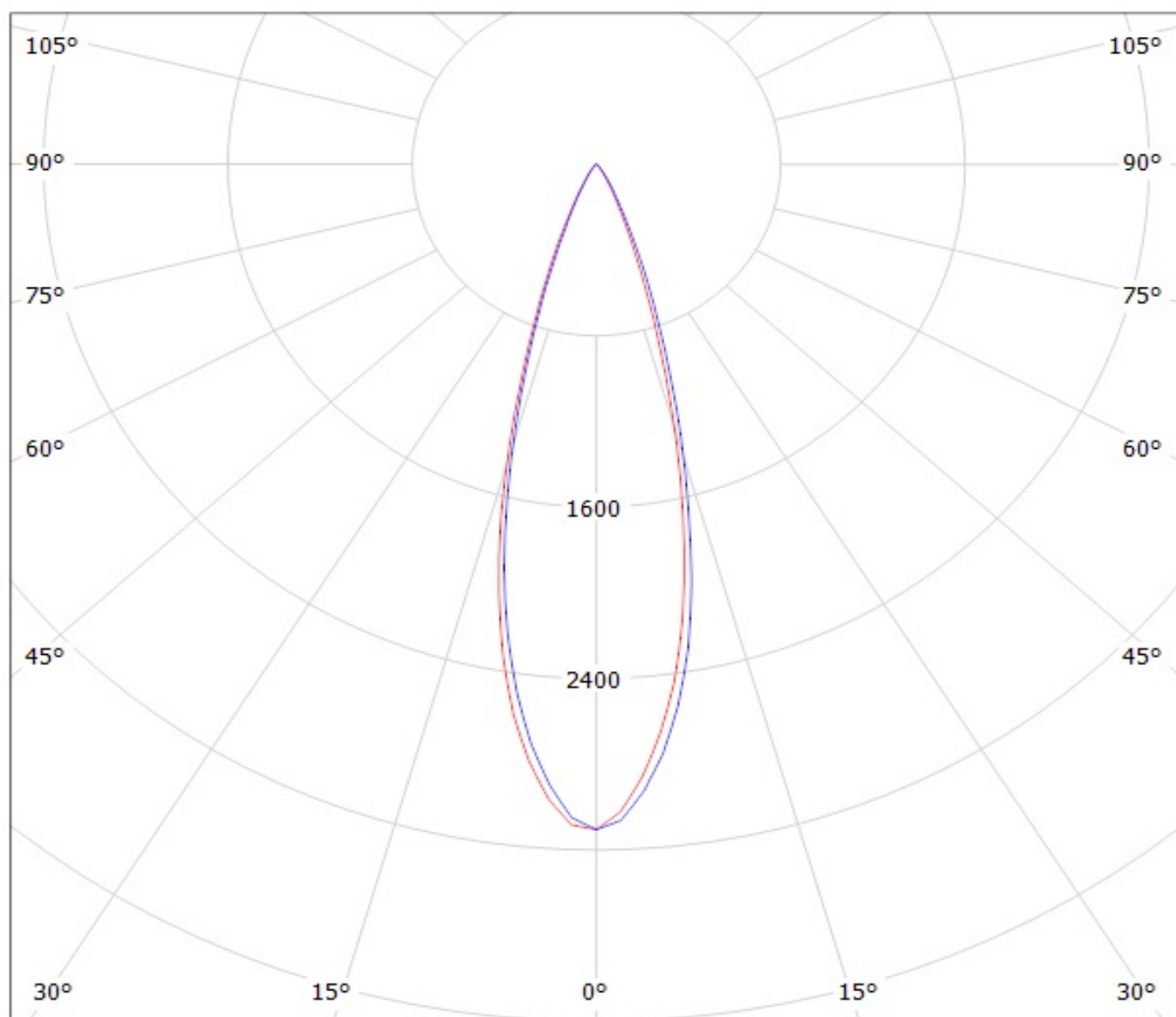
cd/klm

— C0 - C180

— C90 - C270

$\eta = 89\%$

Luminaire: LEDil Oy CA14000_HEIDI-M-NP_(LH351B)
Lamps: 1 x Samsung LH351B (105.7lm @ 250mA) P=0.7W I=250mA



cd/klm

— C0 - C180 — C90 - C270

$\eta = 88\%$

NOTE: The typical divergence will be changed by different color, chip size and chip position tolerance. The typical total divergence is the full angle measured where the luminous intensity is half of the peak value.

GENERAL INFORMATION

- Product series especially designed & optimized for series of LEDs.
- Special care taken to make light distribution as uniform as possible.

Note! Due to use of high power COB's with this product, special attention to proper thermal design is highly recommended. LEDiL has no liability for direct, indirect or consecutive damages arising from the LEDiL products being used outside of the recommended temperature range.