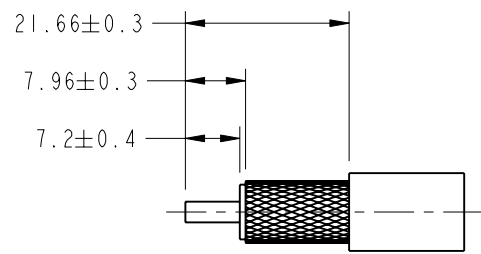
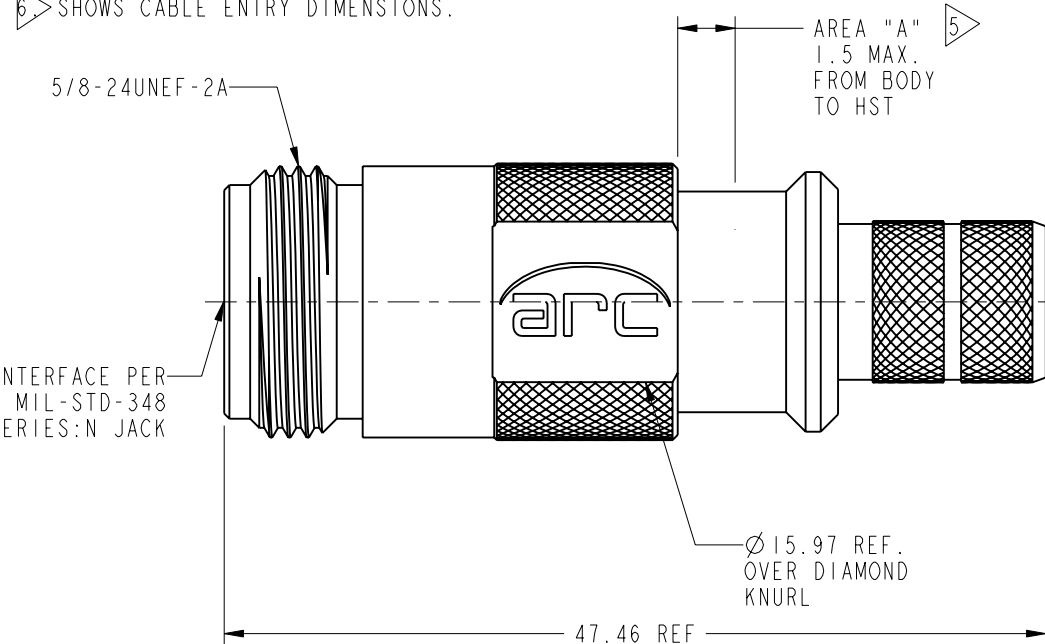


NOTES:

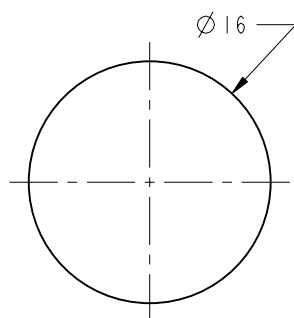
1. MATERIALS AND FINISHES:
  - BODY, CONTACT-OUTER - BRASS, NICKEL PLATING
  - CONTACT - BeCu, GOLD PLATING
  - CONTACT - BRASS, GOLD PLATING
  - INSULATORS - PTFE
  - FERRULE - COPPER, NICKEL PLATING
  - HEAT SHRINK TUBING - CROSSLINKED POLYOLEFIN
2. ELECTRICAL:
  - A. IMPEDANCE: 50 OHM
  - B. FREQUENCY RANGE: DC - 6 GHz
  - C. DIELECTRIC WITHSTANDING VOLTAGE: 1000 VRMS, MIN.
3. MECHANICAL:
  - A. DURABILITY: 500 CYCLES MIN.
  - B. TEMPERATURE RANGE: -55° C TO +85° C
4. PACKAGING:
  - A. QUANTITY: SINGLE PACK
  - B. MARKING: BAG TO BE MARKED "AMPHENOL RF, 82-6517, AND DATE CODE"

5. RECOMMENDED CABLE ASSEMBLY INSTRUCTIONS:
- A. TRIM CABLE AS SHOWN.
  - B. SLIDE HEAT SHRINK TUBING, FERRULE AND INSULATOR DISC ONTO CABLE.
  - C. SOLDER CABLE CENTER CONDUCTOR TO CONTACT.
  - D. INSERT CABLE WITH FOIL ENTERING CONNECTOR AND BRAID OVER KNURL.
  - E. CRIMP FERRULE OVER BRAID WITH 0.429" HEX DIE
  - F. APPLY HEAT SHRINK TUBING OVER FERRULE.
  - G. HEAT SHRINK TUBING SHOULD FULLY (360 DEG) COVER THE BUMP ON BODY AND END WITHIN AREA "A"

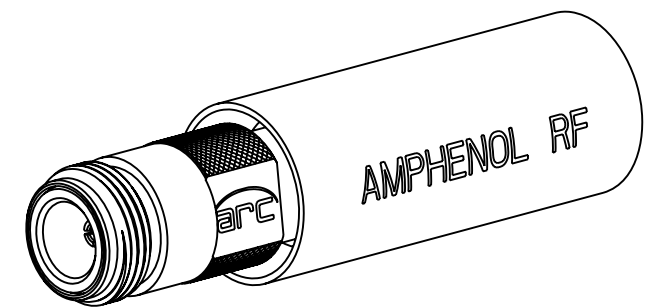
6. SHOWS CABLE ENTRY DIMENSIONS.



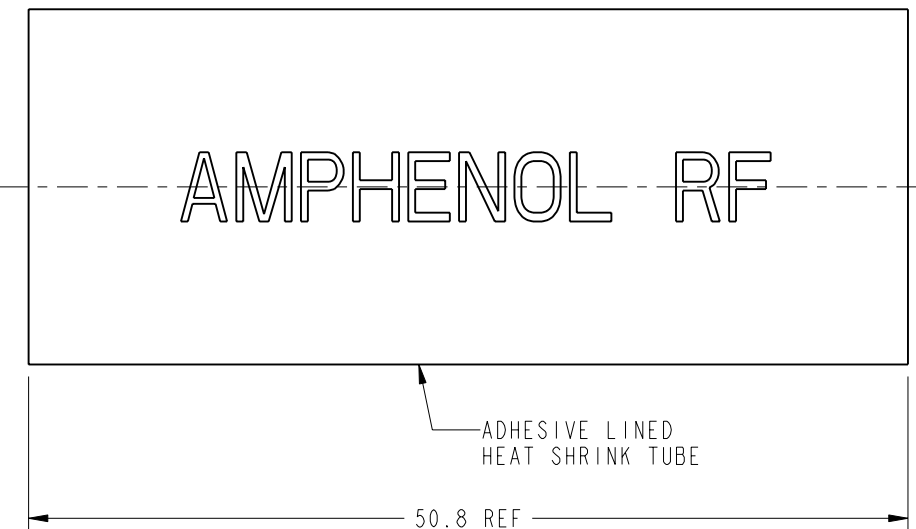
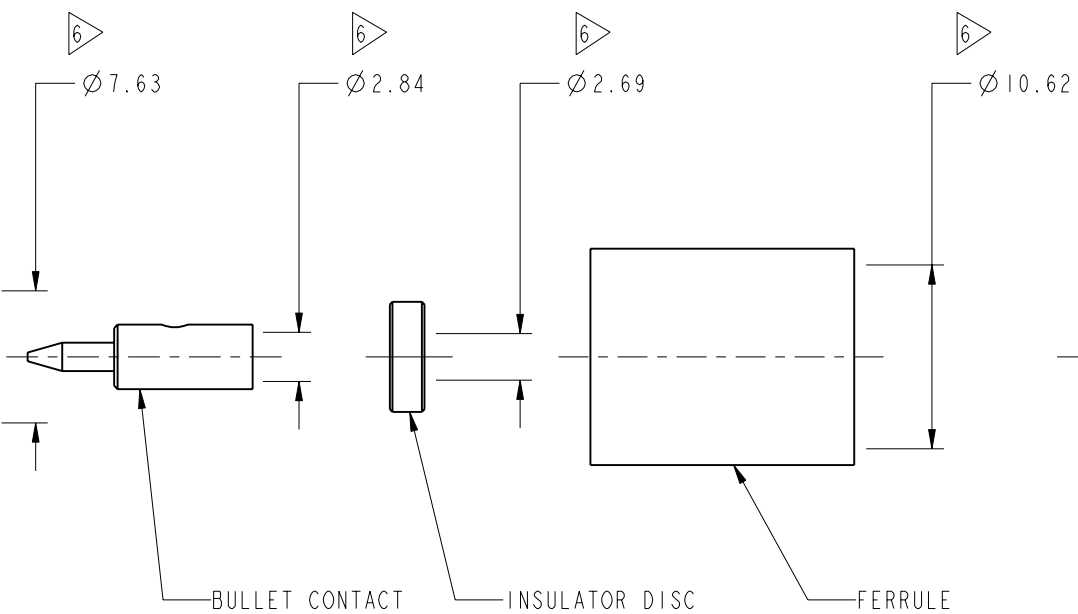
SCALE 1.000  
RECOMMENDED  
CABLE STRIPPING DIM'S



SCALE 2.000  
MIN PASS THRU DIAMETER



SCALE 1.200



**CUSTOMER OUTLINE DRAWING**  
ALL OTHER SHEETS ARE FOR INTERNAL USE ONLY

UNLESS OTHERWISE SPECIFIED, DIMENSIONS ARE IN METRIC AND TOLERANCES ARE: <0.5mm ± 0.05mm    0.5 - 6mm ± 0.1mm    6 - 30mm ± 0.2mm    30 - 120mm ± 0.3mm    ANGLES ± 1°	MATERIAL	DRAWN S. DUAN	DATE 06-Mar-15	TITLE N JACK STR IP-67 FOR LMR-400 CABLE		Amphenol RF www.amphenolrf.com	
	NOTICE - These drawings, specifications, or other data (1) are, and remain the property of Amphenol corp. (2) must be returned upon request; and (3) are confidential and not to be disclosed to any person other than those to whom they are given by Amphenol Corp. the furnishing of these drawings, specifications, or other data by Amphenol Corp., or to any other person to anyone for any purpose is not to be regarded by implication or otherwise in any manner licensing, granting rights to permitting such holder or any other person to manufacture, use or sell any product, process or design, patented or otherwise, that may in any way be related to or disclosed by said drawings, specifications, or other data.	REFERENCE EAR # 3410  CONFIGURATION LEVEL:	ENGINEER D. DAVE	DATE 15-Sep-11	APPROVED S. HSIEH		DATE 09-Mar-15
FINISH		CAD FILE		DWG SIZE B	REV D	ITEM NO. 82-6517 PART NO. 82-6517	

THIRD ANGLE PROJ.

REVISIONS

REV	DESCRIPTION	DATE	ECO	APPR
A	RELEASE TO MFG.	16-Jul-12	49027	TD
B	ADD ARC LOGO TO BODY AND AMPHENOL RF TO HST\RD-DMI3082201J8	30-Aug-13	49619	RLB
C	MODIFIED CONTACT\RD-DMI408260IM3	30-Sep-14		SH
D	CRIMP WAS 0.532"	12-Feb-15	50404	JN