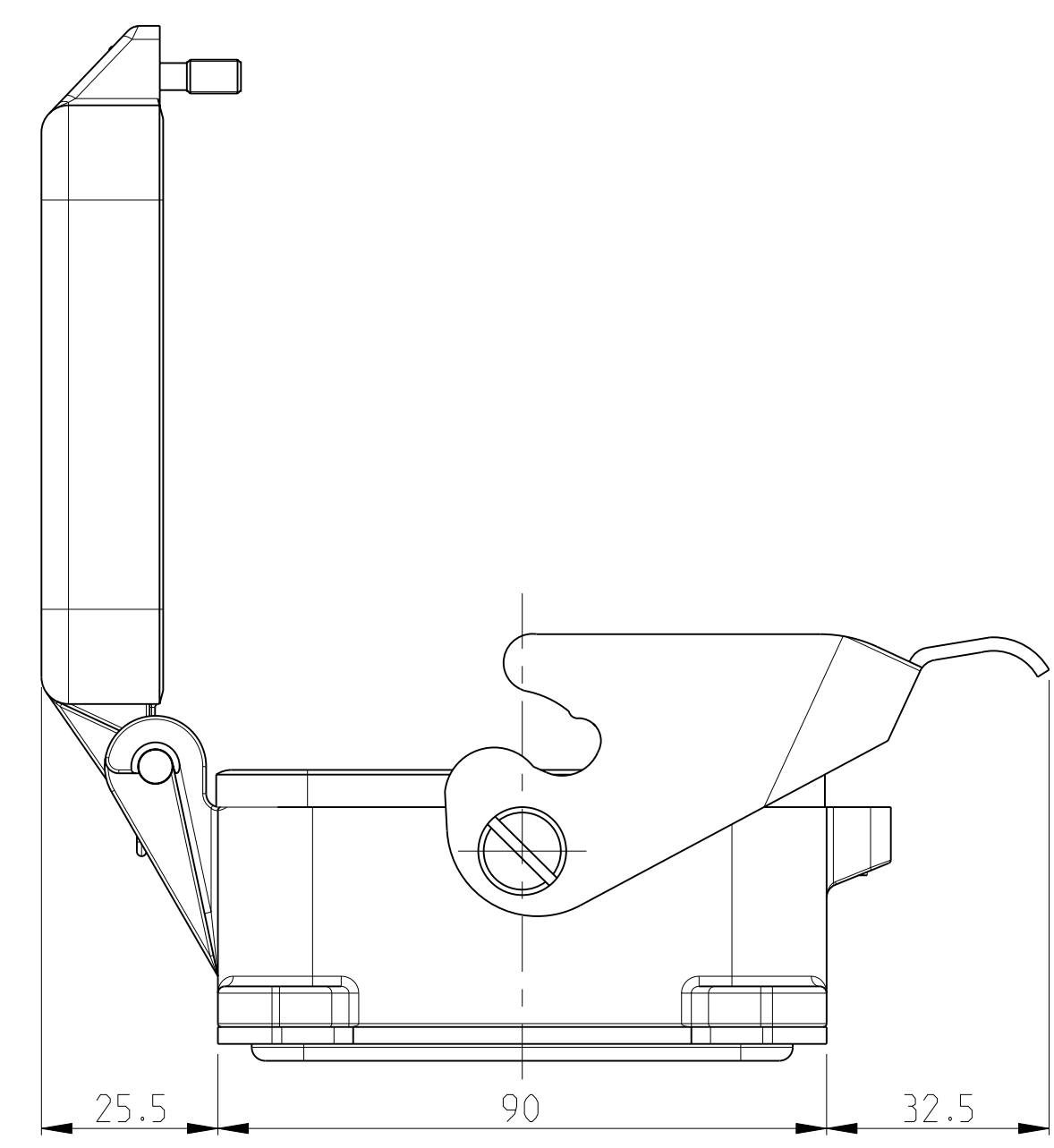
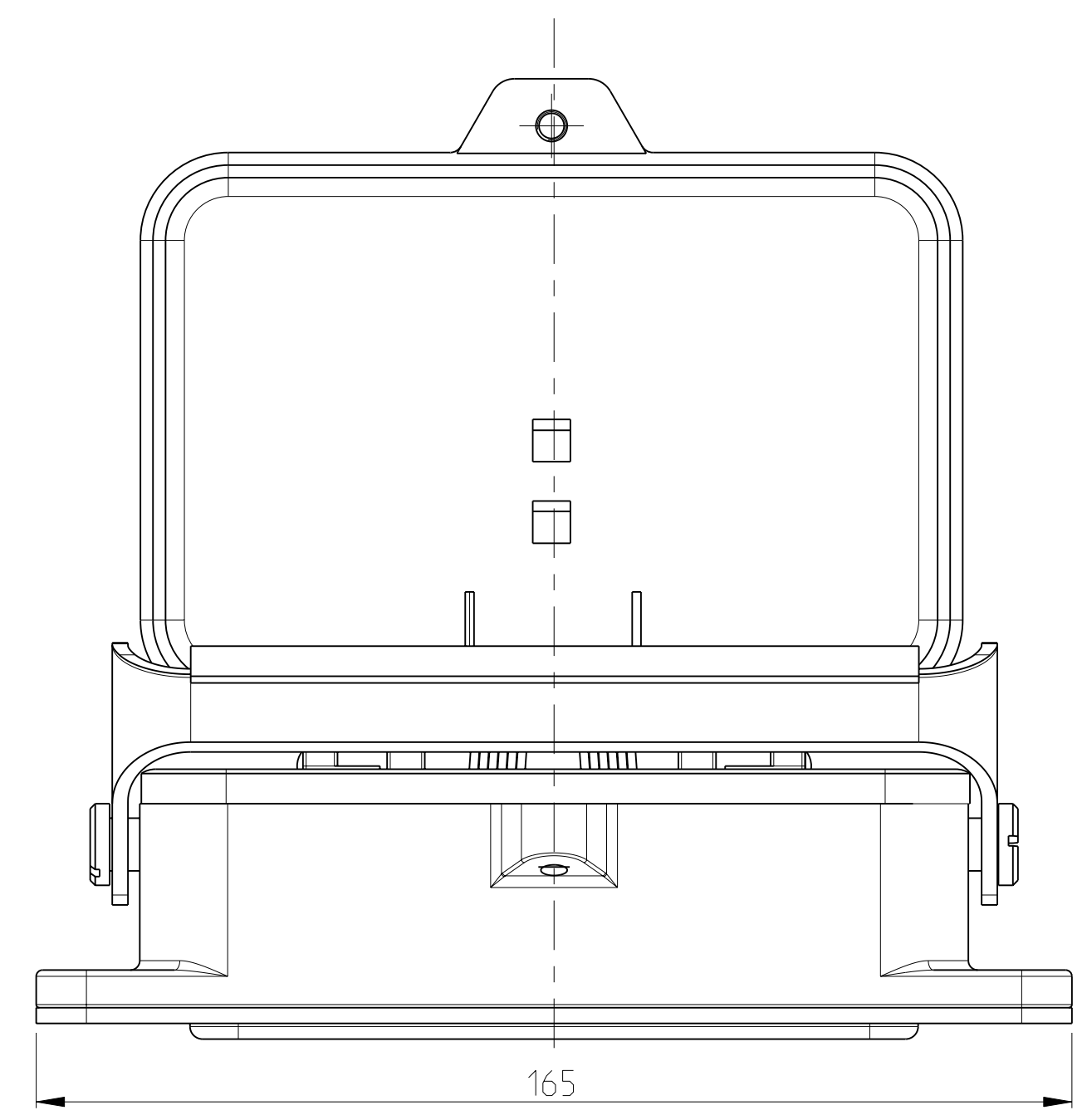
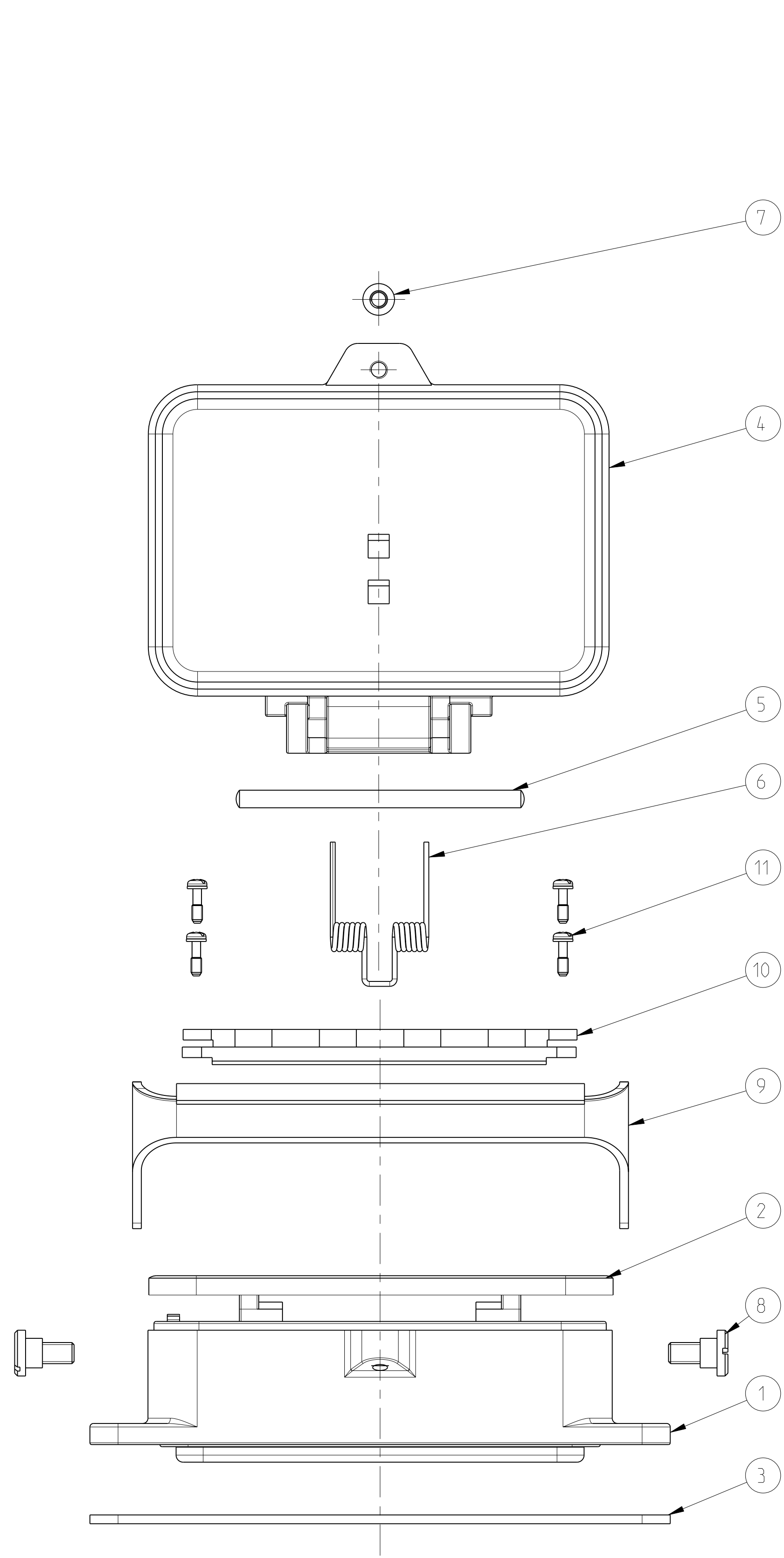


LOC	DIST	REV	DESCRIPTION	DATE	DWN	APVD
A1	-	A1	NEW DRAWN	17 JUN 2008	GW	ST

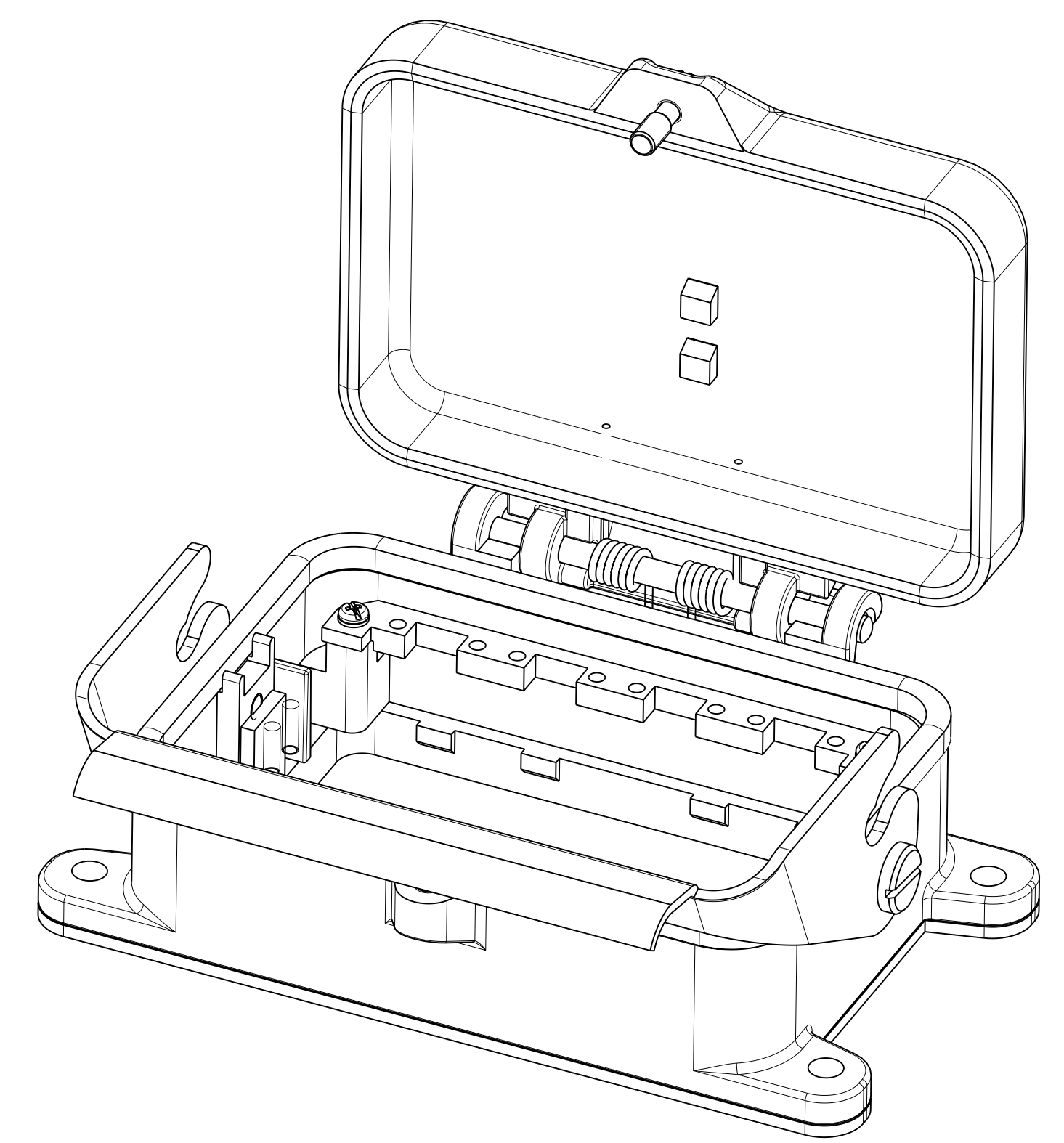
Notes
 1 PACKAGING:
 3 PIECES IN A KARTON



4	FIXING SCREW	STEEL	ZINK PLATED	BLUE	11
2	FIXING STRIP	STEEL	ZINK PLATED	BLUE	10
1	SIDE CLIP	STEEL	ZINK PLATED	BLUE	9
2	CROSS RECESS PAN HEAD SCREW	STEEL	ZINK PLATED	BLUE	8
1	CYLINDER SCREW	STEEL	ZINK PLATED	BLUE	7
1	LEG SPRING	STEEL	ZINK PLATED	BLUE	6
1	RIVET PIN	STEEL	ZINK PLATED	BLUE	5
1	COVER	ALUMINIUM	-	GREY	4
1	FLANGE SEAL	NEOPRENE	-	BLACK	3
1	PROFILE SEAL	NEOPRENE	-	BLACK	2
1	SURFACE MOUNTED HOUSING	ALUMINIUM	-	GREY	1
1-2	DESCRIPTION	MATERIAL	SURFACE	COLOR	ITEM

HA.64.AGD-LB

PN 1-2
 AS SHOWN



DIMENSIONS: mm 		TOLERANCES UNLESS OTHERWISE SPECIFIED: 9 PLC ± 1 PLC ± 2 PLC ± 3 PLC ± 4 PLC ± ANGLES ±° FINISH -		DWN G.W.ROBLEWSKI 17 JUN 2008 CHK T.SCHNURPEL 17 JUN 2008 APVD -		Tyco Electronics Tyco Electronics AMP GmbH 53819 Neunkirchen (Germany)	
MATERIAL -		PRODUCT SPEC - APPLICATION SPEC -		NAME SURFACE MOUNTED HOUSING SERIES HA 64		SIZE CAGE CODE DRAWING NO RESTRICTED TO A1 00779 C-1102009 -	
CUSTOMER DRAWING		WEIGHT -		SCALE 1:1 SHEET 1 OF 1 REV A1		CUSTOMER DRAWING	