

NOTES:

- 1.0 MATERIALS:
 - 1.1 HOUSING & NUT: STAINLESS STEEL PER ASTM-A582, TYPE 303.
 - 1.2 CENTER CONTACT: BERYLLIUM COPPER ROD ALLOY C172, PER ASTM-B196.
 - 1.3 DIELECTRIC: PTFE FLUOROCARBON PER ASTM-D1457.

2.0 PLATING:

- 2.1 HOUSING & NUT: GOLD PER MIL-G-45204 TYPE II, CLASS 1.
- 2.2 CENTER CONTACT: GOLD PER MIL-G-45204, TYPE II, CLASS 2.

3.0 MECHANICAL:

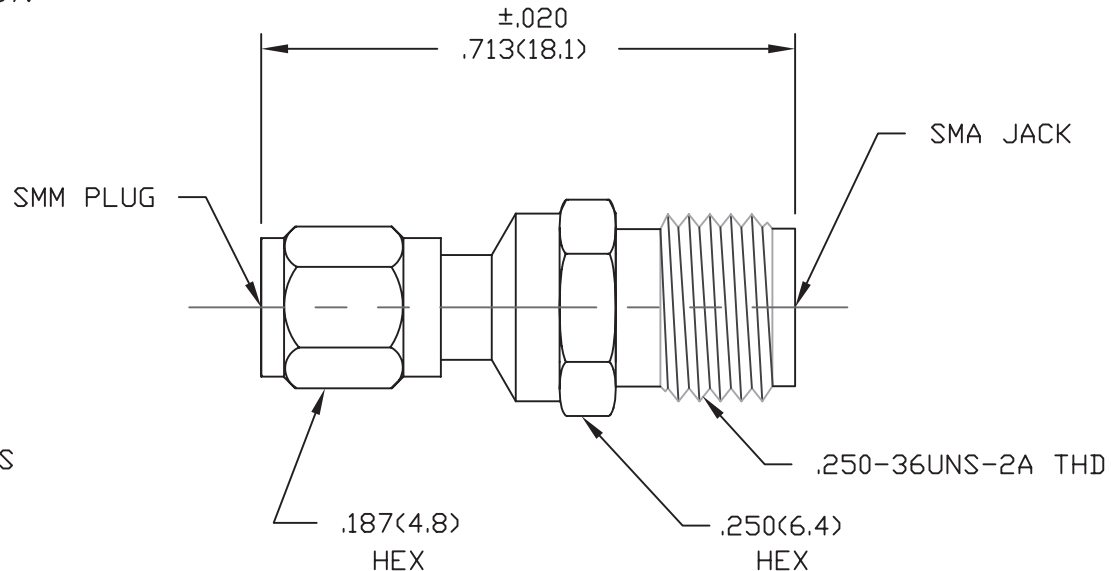
- 3.1 SMA JACK INTERFACE DIMENSIONS PER MIL-STD-348, FIG. 310-2
- 3.2 CENTER CONTACT CAPTURED IN ACCORDANCE WITH MIL-A-55339

4.0 DIMENSIONS IN PARENTHESIS ARE IN MILLIMETERS

5.0 VSWR (MAX):

DC to 12.4 GHz: $1.06 + .009f(\text{GHz})$
 12.4 to 25.0 GHz: $1.05 + .01f(\text{GHz})$


ALL OTHER MECHANICAL, ELECTRICAL AND ENVIRONMENTAL CHARACTERISTICS ARE IN ACCORDANCE WITH MIL-A-55339



REV.	DESCRIPTION	DATE
-	RELEASED	3/24/95
-1	ADDED TITLEBLOCK	3/17/05

NOTICE: The information contained in this drawing is proprietary and must not be used without the permission of Cinch Connectivity Solutions.

UNLESS OTHERWISE NOTED DIMENSIONS ARE IN INCHES AND TOLERANCES ARE:
 3 PLACE DECIMALS ±.005
 2 PLACE DECIMALS ±.02
 FRACTIONS ±1/64
 PARALLELITY: T.I.R. _____
 FLATNESS: T.I.R. _____
 CONCENTRICITY: T.I.R. _____
 ANGLES AND PERPENDICULARITY: ±1'

CAGE CODE 34078		MIDWEST MICROWAVE	
		TITLE ADAPTER SMM PLUG TO SMA JACK OUTLINE DRAWING	
		DRAWN/DATE A.BEATTY 3/22/95	ENG./DATE A.OSGA 3/24/95
CHECKED/DATE P.GODMAN 3/23/95	APPROVED/DATE	SCALE: 5=1	SHEET 1 of 1