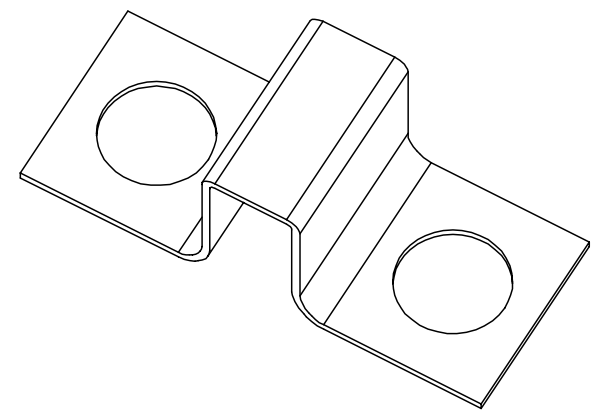
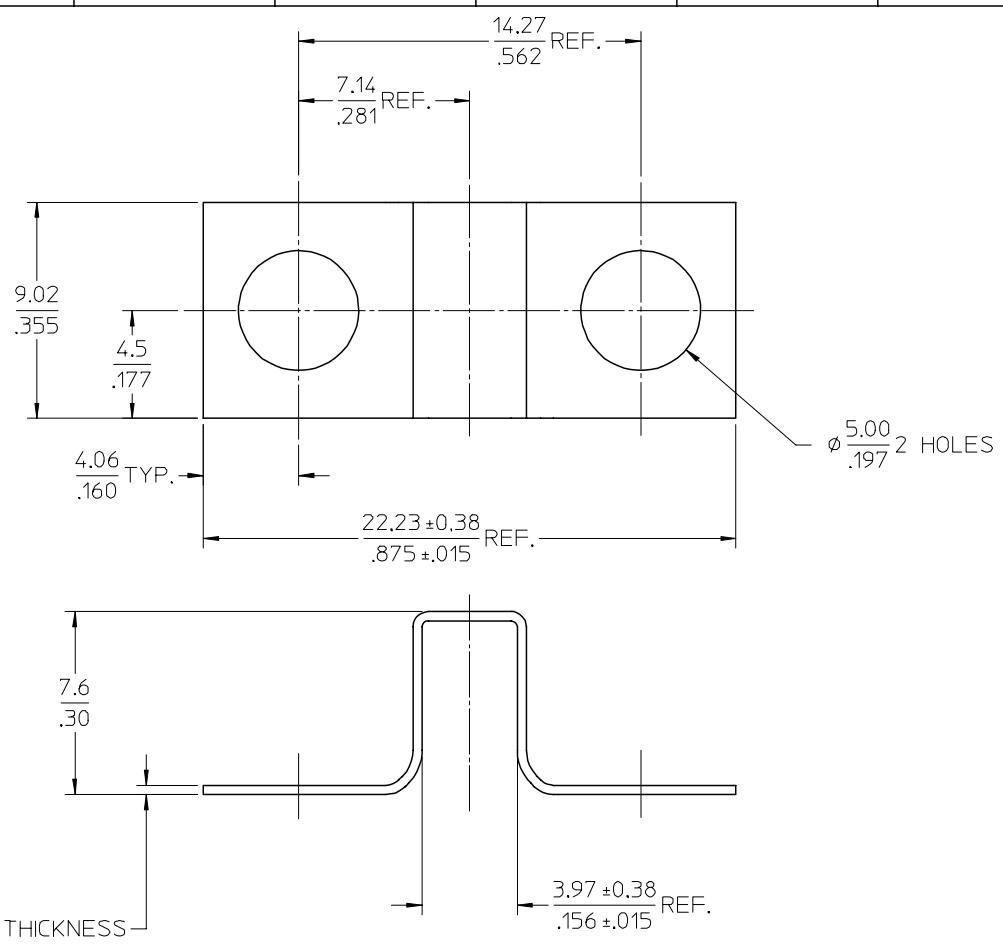


38002



NOTES:

1. MATERIAL: SEE TABLE
2. FINISHES: SEE TABLE
3. PRODUCT SPECIFICATION: NOT REQUIRED
4. PACKAGING: NOT REQUIRED
5. MATES WITH: 21, 22, AND 26 SERIES BTS

38002-0358	JUMPER TERM, HOLE TYPE	BRASS	NICKEL PLATED
MATERIAL NO.	DESCRIPTION	MATERIAL	FINISH

EC NO: NEO2004-0562
 DRWN: CYORK 2004/03/17
 CHKD: RSTONE 2004/03/17
 APPR: GROBERT S2004/03/18

QUALITY SYMBOLS	DESCRIPTION
▽ = 0	
▽ = 0	

GENERAL TOLERANCES (UNLESS SPECIFIED)	
	mm INCH
4 PLACES	± --- ± .0015
3 PLACES	± 0.038 ± .005
2 PLACES	± 0.13 ± .01
1 PLACE	± 0.3 ± ---
ANGULAR ± 2 °	
DRAFT WHERE APPLICABLE	
MUST REMAIN WITHIN DIMENSIONS	

SCALE	DESIGN UNITS
5:1	INCH
DIMENSION STYLE	
MM/IN	
DRAWN BY	DATE
C. YORK	2004/03/17
CHECKED BY	DATE
R.STONE	2004/03/16
APPROVED BY	DATE
GHR	2004/03/17

THIRD ANGLE PROJECTION	REVISE ON CAD ONLY
TITLE	
JUMPER TERMINAL, HOLE TYPE	
MATERIAL NO.	
SEE CHART	
DOCUMENT NO.	SHEET NO.
SD-38002-037	1 OF 1
THIS DRAWING CONTAINS INFORMATION THAT IS PROPRIETARY TO MOLEX INCORPORATED AND SHOULD NOT BE USED WITHOUT WRITTEN PERMISSION	