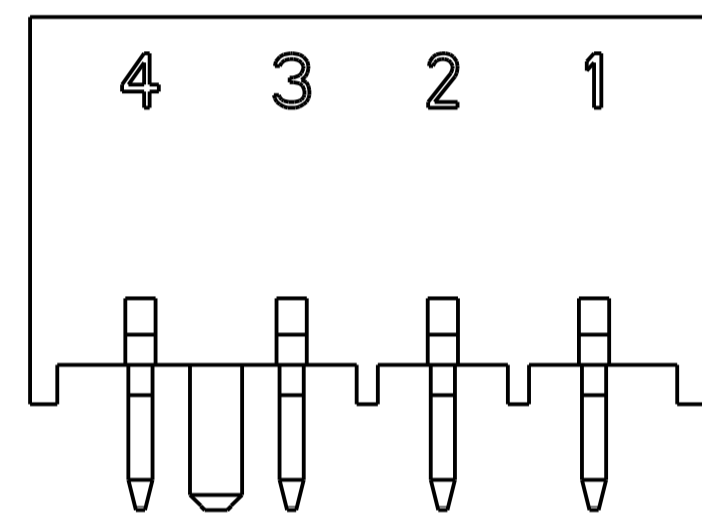
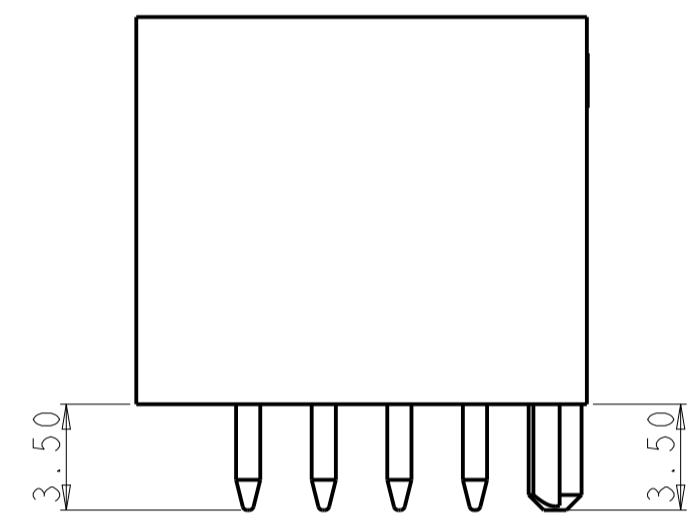
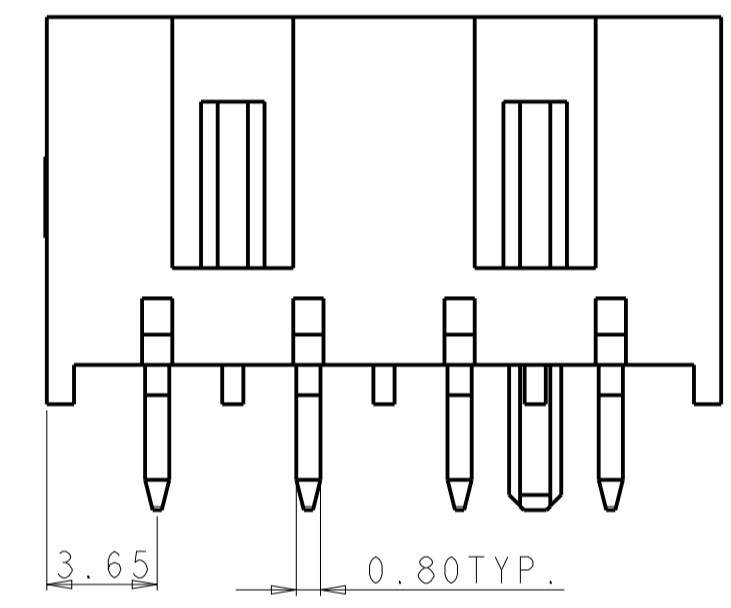
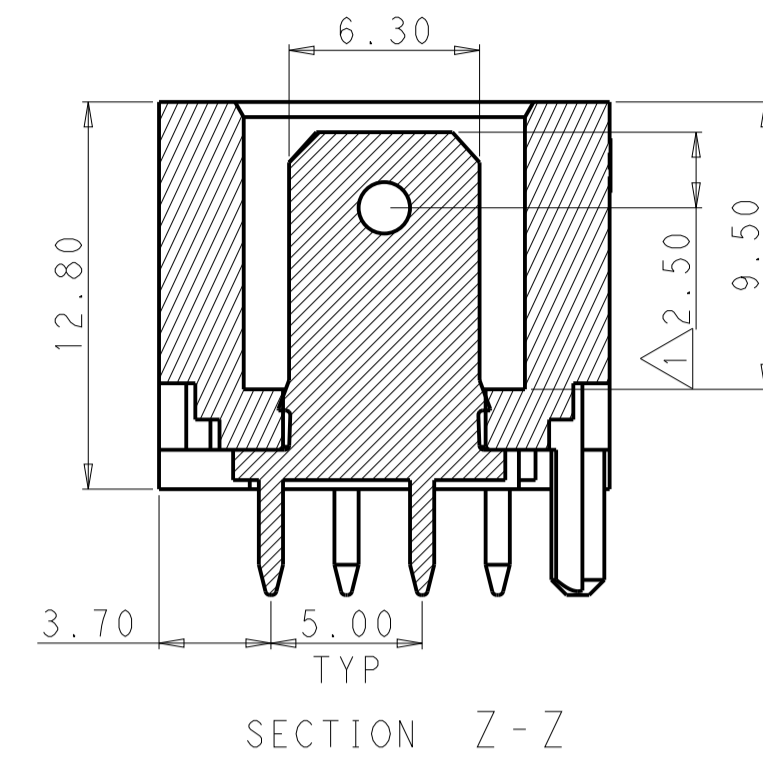
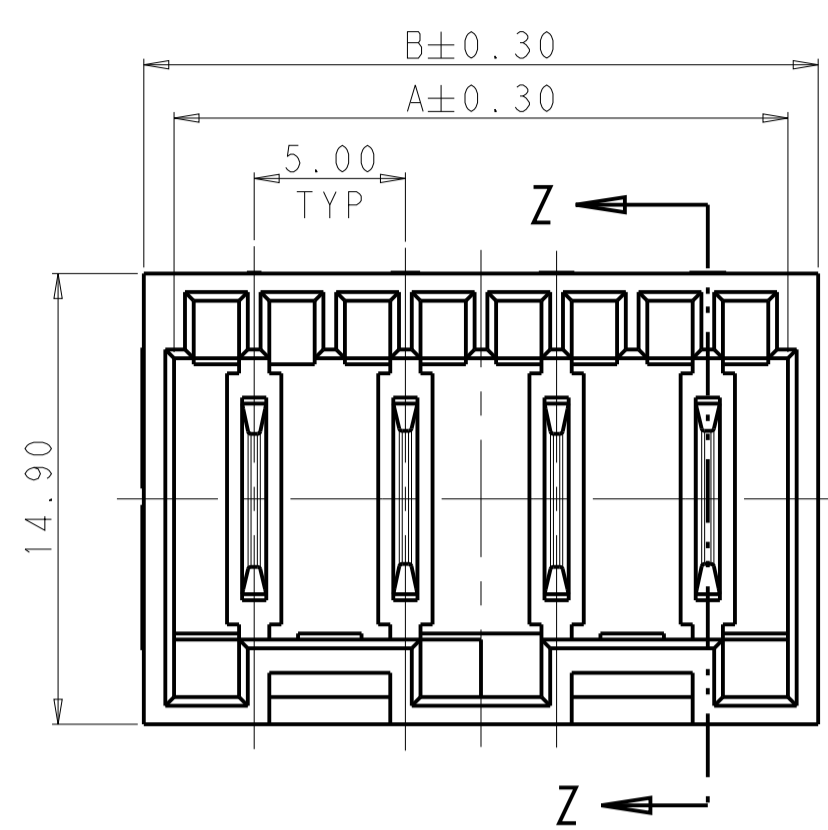
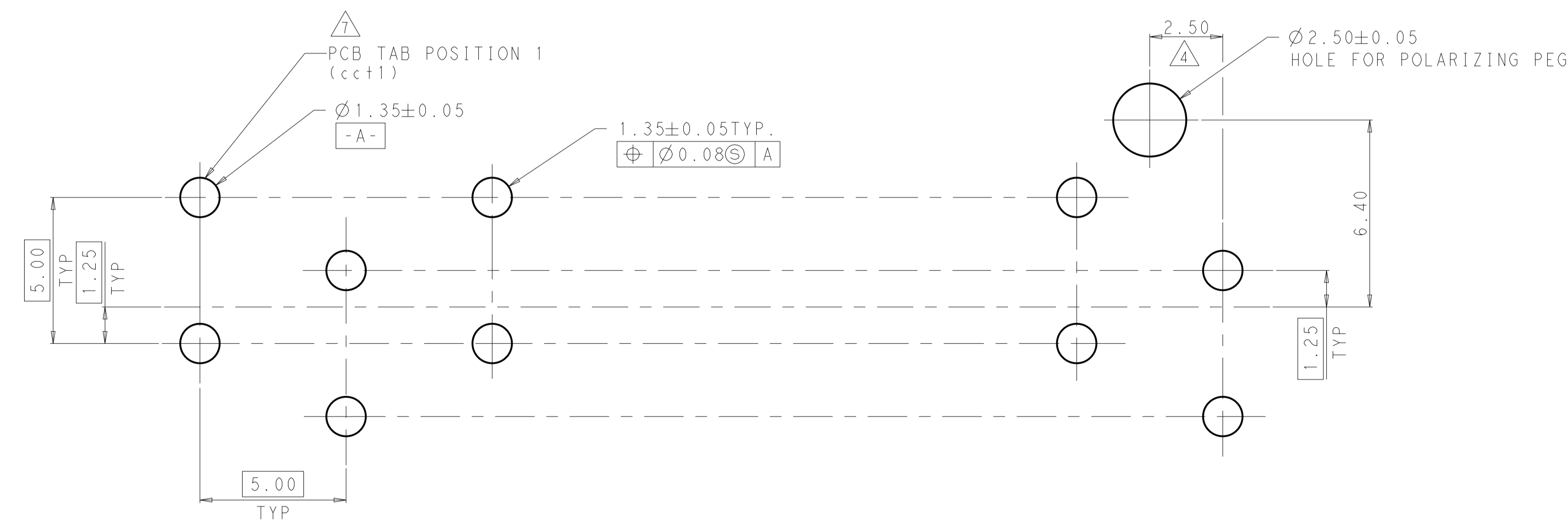
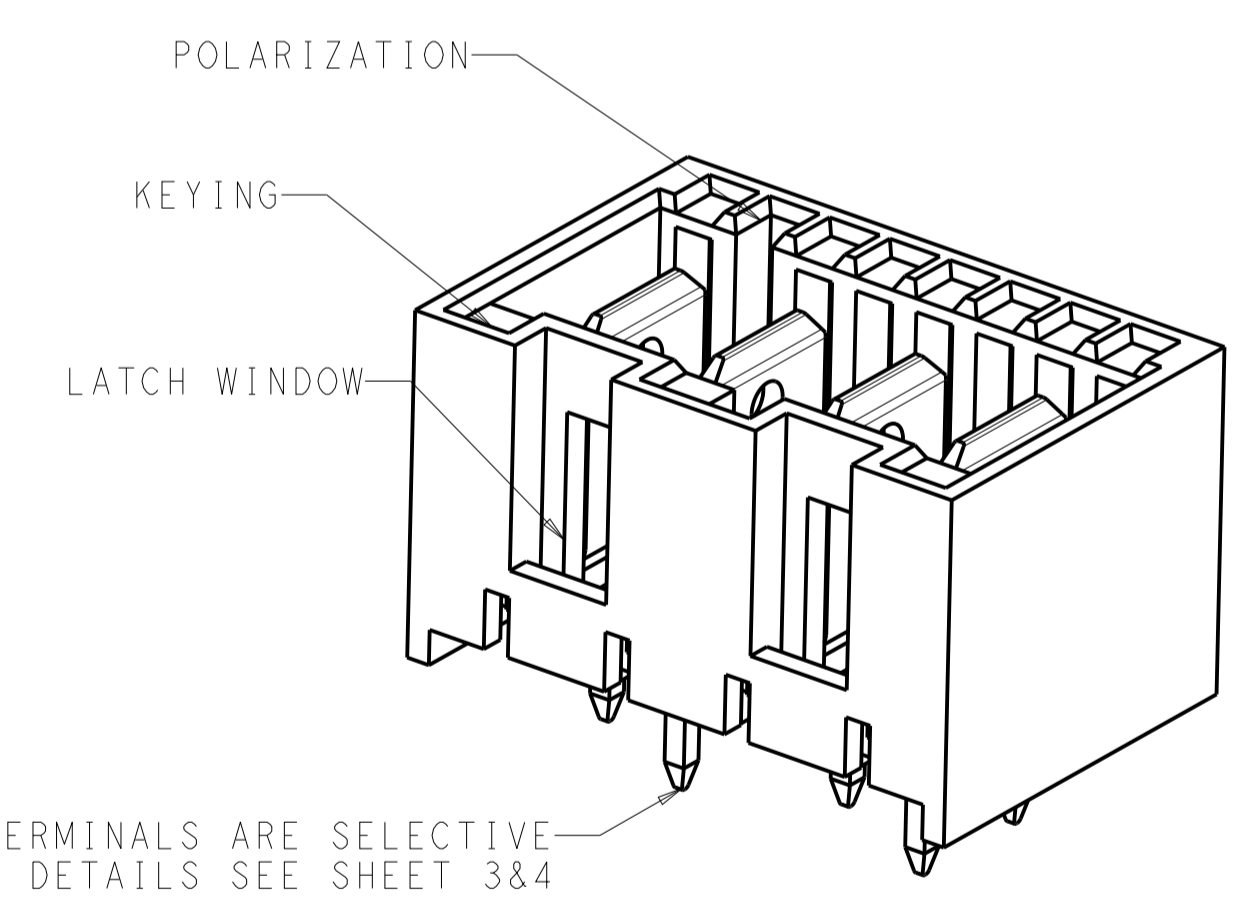


LOC		DIST		REVISIONS			
P	LTN	DESCRIPTION	DATE	DWN	APVD		
1		PROPOSAL	02AUG2013	D. Z	YHM		
A		ECR-14-004016, RELEASE ACTIVE VERSION	24MAR2014	WRP	RIC		



1. HOUSING HAS RAST 5 COMPLIANT KEYING, LATCHING, AND POLARIZATION. TAB IS 6.3 x 0.8, HOWEVER, THE LOCATION OF THE TAB HOLE DOES NOT MEET DIN 46244.
2. RECOMMENDED MATING CONNECTOR FAMILIES INCLUDE POSITIVE-LOCK RAST 5, STANDARD TIMER RAST 5, MULTIFITTING, MULTIFITTING MKII, AND MONO-SHAPE TAB CONNECTORS.
3. SEE SHEET 2&3 FOR AVAILABLE CONFIGURATIONS.
4. DIMENSION OFF OF LAST POSITION REGARDLESS OF EVEN OR ODD POSITION CONNECTOR.
5. MATERIAL: HOUSING, NYLON, UL 94V-0. CONTACT, BRASS, 0.8mm THICK.
6. FINISH: CONTACTS, TIN PLATING OVER NICKEL UNDERPLATING SILVER PLATING OVER NICKEL UNDERPLATING.
7. PCB TABS INSERTED IN A STAGGERED PATTERN BEGINNING WITH POSITION 1.
8. THE PART NUMBERS SHOWN IN SHEET 2&3&4 ARE FOR NATURAL COLOR. THE PART NUMBERS FOR OTHER COLORS ARE BASED ON THE NATURAL ONE; FOR THE SAME CONFIGURATION, THE PREFIX AND POSTFIX OF THE P/N ARE THE SAME, ONLY THE BASE NUMBER IS DIFFERENT ACCORDING TO DIFFERENT COLOR. THE DETAILS SEE SHEET 5.
9. PACKAGING: LOOSE PIECE OR TUBE. THE PART NUMBERS IN THIS DRAWING ARE WITH LOOSE PICE PACKAGING. PLEASE CONTACT TE SALES REPRESENTATIVES FOR TUBE PACKAGING REQUIREMENT.
10. PRODUCT COMPLY WITH GLOW WIRE REQUIREMENTS FOR PARTS OF NON-METALLIC MATERIAL SUPPORTING A CURRENT-CARRYING CONNECTION DETAILED IN IEC 60335-1, SECTION 30 (GWT).



PCB LAYOUT-COMPONENT SIDE
 PCB IS 1.50±0.20 THICK

42.3	40.3	8
37.3	35.3	7
32.3	30.3	6
27.3	25.3	5
22.3	20.3	4
17.3	15.3	3
12.3	10.3	2
B	A	NO. OF POS.

THIS DRAWING IS A CONTROLLED DOCUMENT.		DWN: DANIEL ZHANG 02AUG2013	TE Connectivity	
DIMENSIONS: mm		CHK: DANIEL ZHANG 02AUG2013		
TOLERANCES UNLESS OTHERWISE SPECIFIED:		APVD: YUZHONG MAO 02AUG2013	NAME: ASSEMBLY, POSITIVE LOCK RAST 5, HEADER VERTICAL, SELECTIVE TAB TERMINALS	
0 PLC ± 1 PLC ± 2 PLC ±0.25 3 PLC ± 4 PLC ± ANGLES ±		PRODUCT SPEC: 108-106080	SIZE: A1	
MATERIAL: 5		APPLICATION SPEC:	CAGE CODE: 2232611	
FINISH:		WEIGHT:	Customer Drawing	
		SCALE: NA	SHEET 1 OF 4 REV A	

LOC		DIST		REVISIONS			
				REV	DATE	BY	APPV
-	-	-	-	-	-	-	-
-	-	-	-	-	-	-	-

COLOR	FINISH TAB POST	LOADED TAB POSITIONS	LATCH WINDOWS	KEYING	POLARIZATION	NO. OF POS.	PART NUMBER
NATURAL	SILVER PLATED	1, 3	2-3	1c, 1d, 2c, 3d	2b, 3b	3	1-2232614-3
		1, 3	1-2	1c, 3d	3b	3	2232614-3

COLOR	FINISH TAB POST	LOADED TAB POSITIONS	LATCH WINDOWS	KEYING	POLARIZATION	NO. OF POS.	PART NUMBER
NATURAL	TIN PLATED	1, 3	2-3	1c, 1d, 2c, 3d	2b, 3b	3	1-2232612-3
		1, 3	1-2	1c, 3d	3b	3	2232612-3

COLOR	FINISH TAB POST	LOADED TAB POSITIONS	LATCH WINDOWS	KEYING	POLARIZATION	NO. OF POS.	PART NUMBER
NATURAL	SILVER PLATED	1, 4, 5, 6, 7, 8	1-2, 7-8	2d, 3c, 6d, 7c	-	8	2232613-8
		1, 3, 5, 7	1-2, 4-5, 6-7	3c, 5d, 6c, 7d	1a, 2a, 4a, 4b, 5b, 6a, 6b, 7b	7	1-2232613-7
		1, 2, 4, 5, 6, 7	1-2, 6-7	3d, 7d	5b	7	2232613-7
		1, 3, 5, 6	1-2, 4-5	3c, 6d	1b	6	2232613-6
		1, 2, 4, 5	1-2, 3-4	1c, 2d, 3c, 5d	1a, 5b	5	3-2232613-5
		1, 3, 5	2-3	3d, 4c	1a, 5b	5	2-2232613-5
		1, 2, 4, 5	1-2, 3-4	2d, 5d	2b	5	1-2232613-5
		1, 3, 4, 5	1-2, 4-5	2d	2b	5	2232613-5
		1, 2, 4	1-2, 3-4	3c, 4d	1b	4	1-2232613-4
		1, 3, 4	1-2, 3-4	3c, 4d	1b	4	2232613-4
		1, 3	2-3	-	-	3	9-2232613-3
		1, 3	2-3	1d, 3d	2a	3	8-2232613-3
		1, 3	1-2	1c, 3c	3b	3	7-2232613-3
		1, 3	1-2	1c, 2d	1b, 2b	3	6-2232613-3
		1, 3	1-2	1c	1a, 3a	3	5-2232613-3
		1, 3	2-3	1c, 3d	3b	3	4-2232613-3
		1, 3	2-3	1d, 3d	3b	3	3-2232613-3
		1, 3	1-2	3c	1a	3	2-2232613-3
		1, 3	2-3	1d, 2c	2b, 3b	3	1-2232613-3
		1, 3	1-2	1c, 2d	1b	3	2232613-3

COLOR	FINISH TAB POST	LOADED TAB POSITIONS	LATCH WINDOWS	KEYING	POLARIZATION	NO. OF POS.	PART NUMBER
NATURAL	TIN PLATED	1, 4, 5, 6, 7, 8	1-2, 7-8	2d, 3c, 6d, 7c	-	8	2232611-8
		1, 3, 5, 7	1-2, 4-5, 6-7	3c, 5d, 6c, 7d	1a, 2a, 4a, 4b, 5b, 6a, 6b, 7b	7	1-2232611-7
		1, 2, 4, 5, 6, 7	1-2, 6-7	3d, 7d	5b	7	2232611-7
		1, 3, 5, 6	1-2, 4-5	3c, 6d	1b	6	2232611-6
		1, 2, 4, 5	1-2, 3-4	1c, 2d, 3c, 5d	1a, 5b	5	3-2232611-5
		1, 3, 5	2-3	3d, 4c	1a, 5b	5	2-2232611-5
		1, 2, 4, 5	1-2, 3-4	2d, 5d	2b	5	1-2232611-5
		1, 3, 4, 5	1-2, 4-5	2d	2b	5	2232611-5
		1, 2, 4	1-2, 3-4	3c, 4d	1b	4	1-2232611-4
		1, 3, 4	1-2, 3-4	3c, 4d	1b	4	2232611-4
		1, 3	2-3	-	-	3	9-2232611-3
		1, 3	2-3	1d, 3d	2a	3	8-2232611-3
		1, 3	1-2	1c, 3c	3b	3	7-2232611-3
		1, 3	1-2	1c, 2d	1b, 2b	3	6-2232611-3
		1, 3	1-2	1c	1a, 3a	3	5-2232611-3
		1, 3	2-3	1c, 3d	3b	3	4-2232611-3
		1, 3	2-3	1d, 3d	3b	3	3-2232611-3
		1, 3	1-2	3c	1a	3	2-2232611-3
		1, 3	2-3	1d, 2c	2b, 3b	3	1-2232611-3
		1, 3	1-2	1c, 2d	1b	3	2232611-3

THIS DRAWING IS A CONTROLLED DOCUMENT.

DWN: DANIEL ZHANG 02AUG2013
 CHK: DANIEL ZHANG 02AUG2013
 APVD: DANIEL ZHANG 02AUG2013
 YUHONG MAO 02AUG2013

STE TE Connectivity
 ASSEMBLY, POSITIVE LOCK
 RAST 5, HEADER
 VERTICAL, SELECTIVE TAB TERMINALS

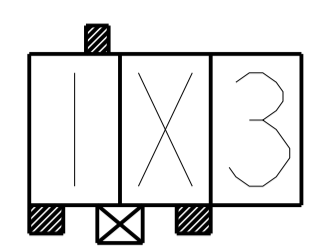
DIMENSIONS: mm
 TOLERANCES UNLESS OTHERWISE SPECIFIED:
 0 PLC ±
 1 PLC ±
 2 PLC ±
 3 PLC ±
 4 PLC ±
 ANGLES ±

MATERIAL: -
 FINISH: -

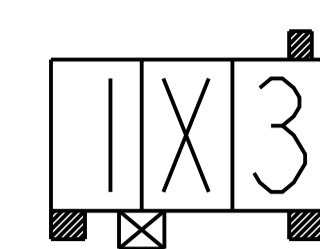
WEIGHT: -
 SCALE: NA SHEET 2 OF 4 REV A

Customer Drawing
 A100779 ©=2232611

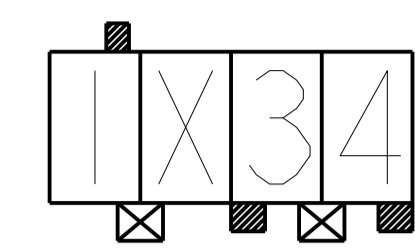
LOC		DIST		REVISIONS			
				REV	DATE	BY	APPV
-	-	-	-	-	-	-	-
-	-	-	-	-	SEE SHEET 1	-	-



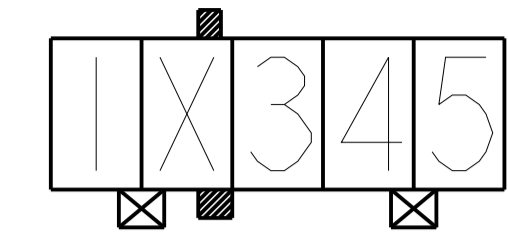
2232611-3
2232613-3



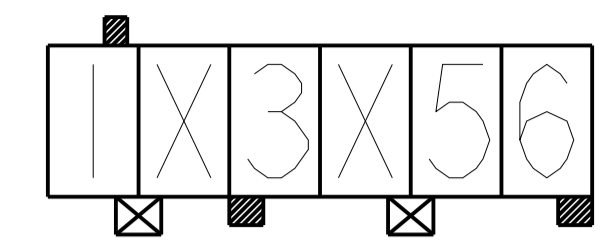
2232612-3
2232614-3



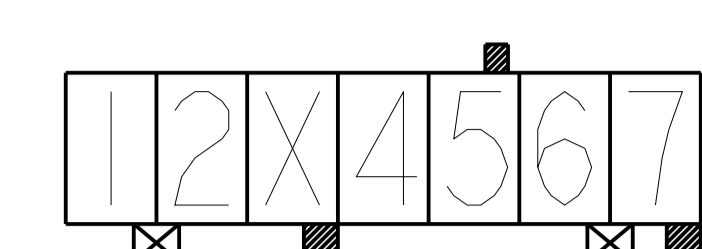
2232611-4
2232613-4



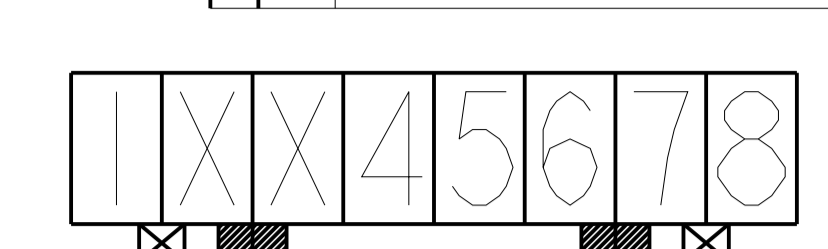
2232611-5
2232613-5



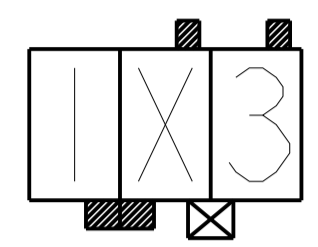
2232611-6
2232613-6



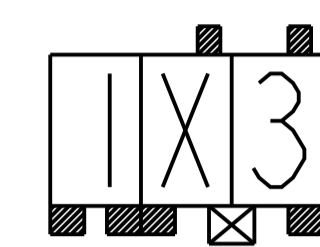
2232611-7
2232613-7



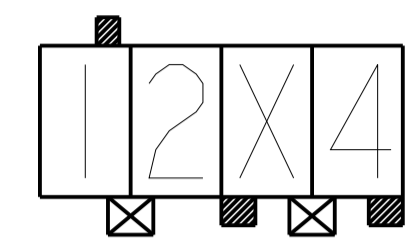
2232611-8
2232613-8



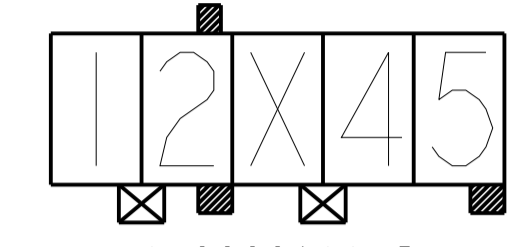
1-2232611-3
1-2232613-3



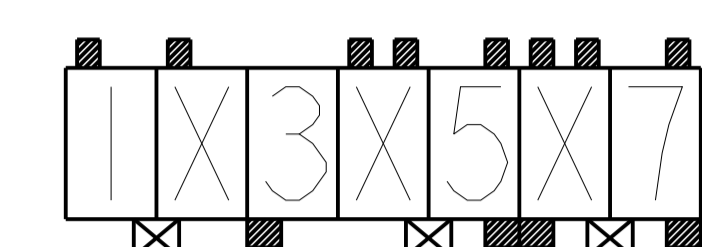
1-2232612-3
1-2232614-3



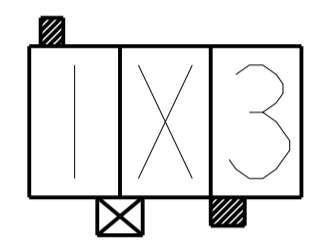
2232611-4
2232613-4



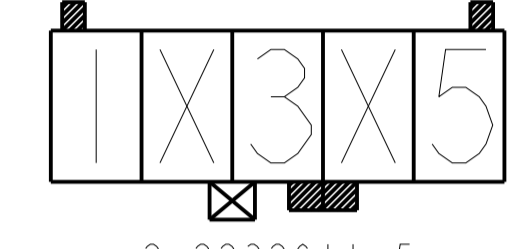
1-2232611-5
1-2232613-5



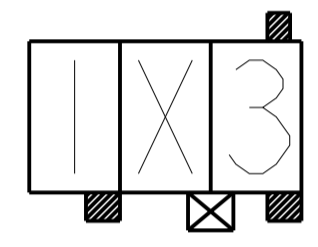
1-2232611-7
1-2232613-7



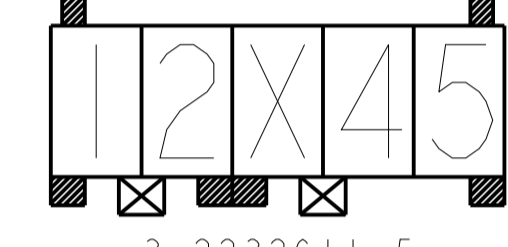
2-2232611-3
2-2232613-3



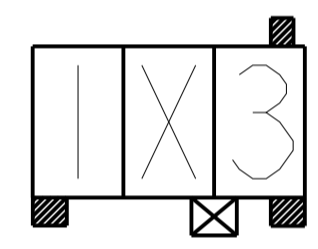
2-2232611-5
2-2232613-5



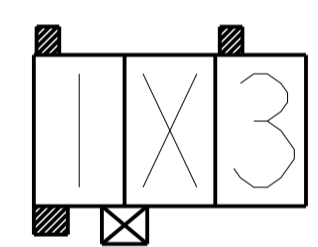
3-2232611-3
3-2232613-3



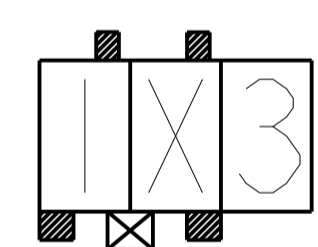
3-2232611-5
3-2232613-5



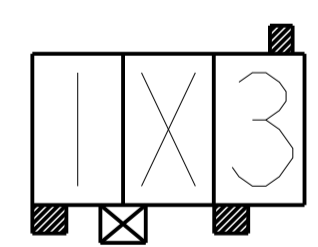
4-2232611-3
4-2232613-3



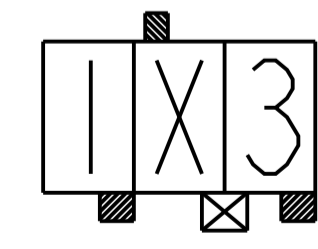
5-2232611-3
5-2232613-3



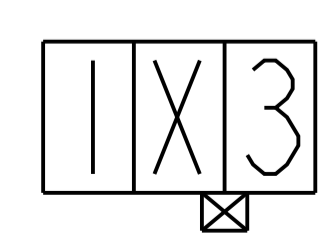
6-2232611-3
6-2232613-3



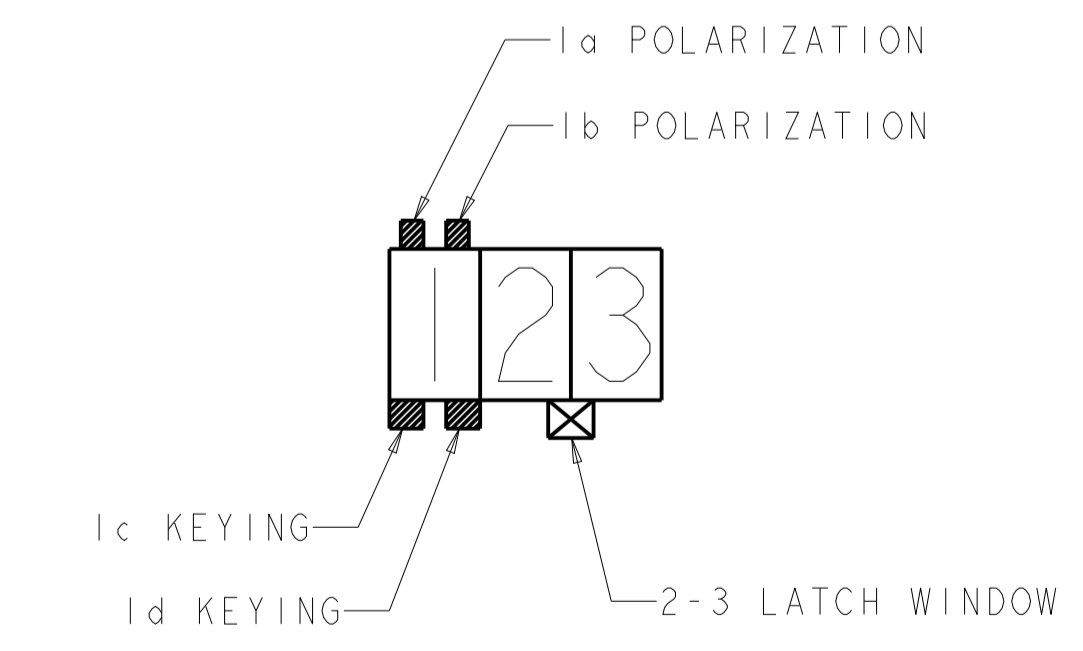
7-2232611-3
7-2232613-3



8-2232611-3
8-2232613-3



9-2232611-3
9-2232613-3



NOTES:
 1. "X" MEANS "NO TAB TERMINAL LOADED".
 2. "NUMBER(1-9)" MEANS "TAB TERMINAL LOADED".

PICTORIAL VIEW KEY

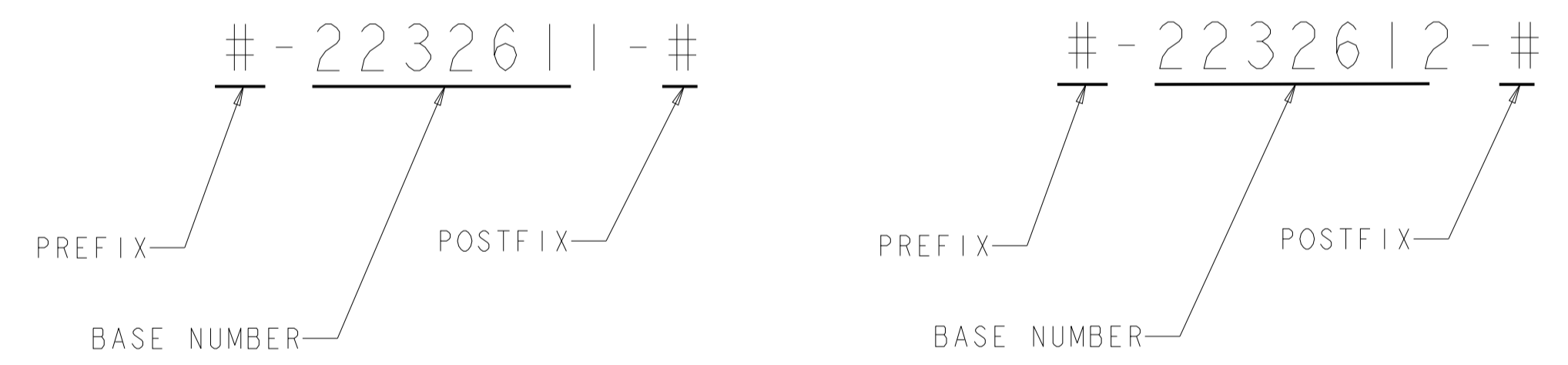
THIS DRAWING IS A CONTROLLED DOCUMENT.		OWN DANIEL ZHANG 02AUG2013	TE Connectivity											
DIMENSIONS: mm		CHK DANIEL ZHANG 02AUG2013												
TOLERANCES UNLESS OTHERWISE SPECIFIED:		APVD YUHONG MAO 02AUG2013	NAME ASSEMBLY, POSITIVE LOCK RAST 5, HEADER VERTICAL, SELECTIVE TAB TERMINALS											
<table border="1"> <tr><td>0 PLC</td><td>±</td></tr> <tr><td>1 PLC</td><td>±</td></tr> <tr><td>2 PLC</td><td>±</td></tr> <tr><td>3 PLC</td><td>±</td></tr> <tr><td>4 PLC</td><td>±</td></tr> </table>		0 PLC	±	1 PLC	±	2 PLC	±	3 PLC	±	4 PLC	±	PRODUCT SPEC	SIZE CAGE CODE DRAWING NO. RESTRICTED TO	
0 PLC	±													
1 PLC	±													
2 PLC	±													
3 PLC	±													
4 PLC	±													
MATERIAL FINISH		APPLICATION SPEC	A100779C=2232611											
		WEIGHT	Customer Drawing SCALE NA SHEET 3 OF 4 REV A											

LOC		DIST		REVISIONS			
P	LTN	DESCRIPTION	DATE	DMN	APVD		
-	-	SEE SHEET 1	-	-	-		

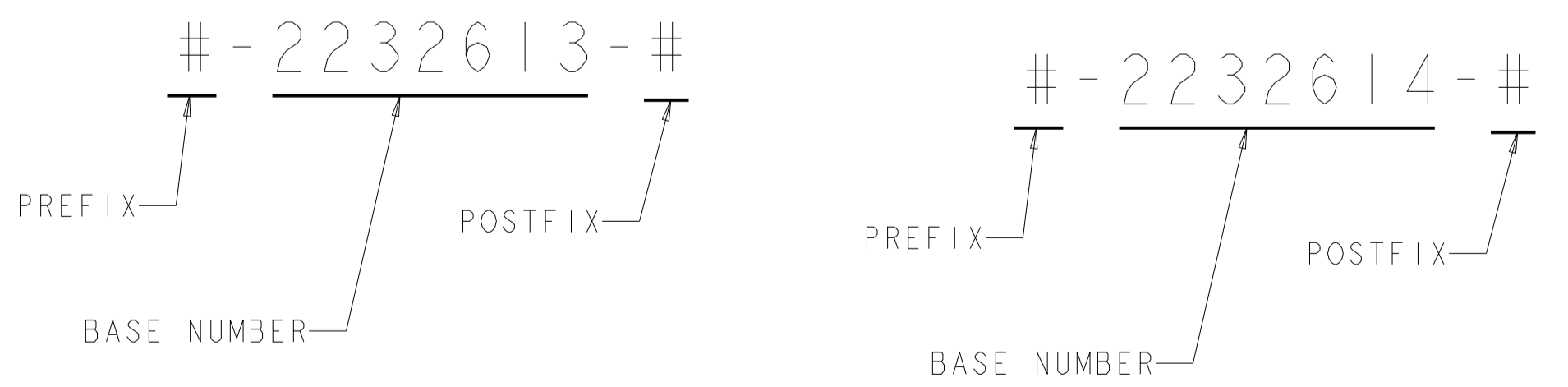
NOTES:
 1. FOR TAB HEADER COLOR CHOICE, THERE ARE EIGHT COLORS AVAILABLE, BESIDES THE NATURAL COLOR, THERE ARE OTHER SEVEN COLORS, INCLUDE: YELLOW, BLUE, GREY, PURPLE, RED, GREEN, BLACK. THE P/N OF THE COLOR TAB HEADER ARE BASED ON THE NATURAL TAB HEADER, THE PREFIX AND POSTFIX ARE THE SAME.
 2. MORE INFORMATION SEE COMMENTS IN RIGHT COLUMN OF BELOW CHART.

COLOR	PART NUMBER OF THE HOUSING		PART NUMBER OF TAB HEADER				COMMENTS
			WITH TIN PLATED CONTACT		WITH SILVER PLATED CONTACT		
NATURAL	*-1971849-*	*-1971893-*	#-2232611-#	#-2232612-#	#-2232613-#	#-2232614-#	THE DETAILS OF CONFIGURATION SEE SHEET 3&4.
RED	*-1971942-*	*-1971944-*	#-2232615-#	#-2232616-#	#-2232617-#	#-2232618-#	IF THE PREFIX AND POSTFIX NUMBERS OF DIFFERENT COLOR HEADER ARE SAME AS THE ONES OF THE NATURAL TAB HEADER AND THEY ARE IN SAME COLUMN, SO THEY SHOULD HAVE THE SAME CONFIGURATION: SAME KEYING, POLARIZATION AND LATCH WINDOW.
BLUE	*-1971950-*	*-1971952-*	#-2232619-#	#-2232620-#	#-2232621-#	#-2232622-#	
YELLOW	*-2232012-*	*-2232014-*	#-2232623-#	#-2232624-#	#-2232625-#	#-2232626-#	FOR DIFFERENT BASE NUMBER OF SAME COLOR HEADER, ONLY DIFFERENCE IS CONFIGURATION (KEYING, POLARIZATION AND LATCH WINDOW).
BLACK	*-2232004-*	*-2232006-*	#-2232627-#	#-2232628-#	#-2232629-#	#-2232630-#	
GREY	*-2232020-*	*-2232022-*	#-2232631-#	#-2232632-#	#-2232633-#	#-2232634-#	THE RELATED HOUSING PART NUMBERS OF DIFFERENT COLOR TAB HEADER ARE ALSO BASED ON NATURAL HOUSING, ONLY THE BASE NUMBER IS DIFFERENT, THE DETAILS SEE BOM IN SHEET 2,3&4.
GREEN	*-1971958-*	*-1971960-*	#-2232635-#	#-2232636-#	#-2232637-#	#-2232638-#	
PURPLE	*-2232028-*	*-2232030-*	#-2232639-#	#-2232640-#	#-2232641-#	#-2232642-#	THE "*" AND "#" CAN BE THE NUMBER FROM 0 TO 9.
WHITE	*-2232293-*	*-2232295-*	#-2232643-#	#-2232644-#	#-2232645-#	#-2232646-#	

**PART NUMBERS OF NATURAL COLOR TAB HEADER WITH TIN PLATED:



**PART NUMBERS OF NATURAL COLOR TAB HEADER WITH SILVER PLATED:



THIS DRAWING IS A CONTROLLED DOCUMENT.		DMN: DANIEL ZHANG 02AUG2013	TE Connectivity
DIMENSIONS: mm		CHK: DANIEL ZHANG 02AUG2013	
TOLERANCES UNLESS OTHERWISE SPECIFIED: 0 PLC ± 1 PLC ± 2 PLC ± 3 PLC ± 4 PLC ± ANGLES ±		APVD: YUHONG MAO 02AUG2013	NAME: ASSEMBLY, POSITIVE LOCK RAST 5, HEADER VERTICAL, SELECTIVE TAB TERMINALS
MATERIAL: -		FINISH: -	RESTRICTED TO: -
Customer Drawing		SCALE: NA	SHEET 4 OF 4 REV A