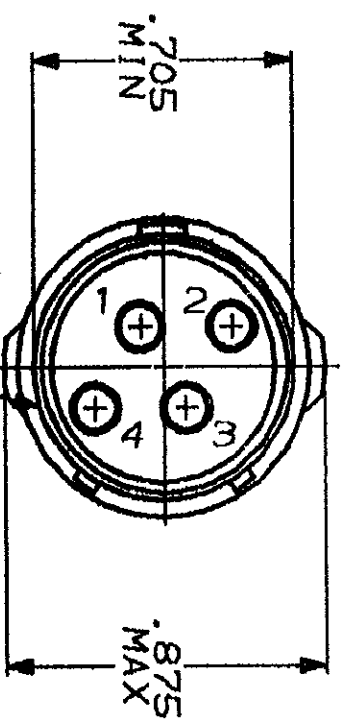
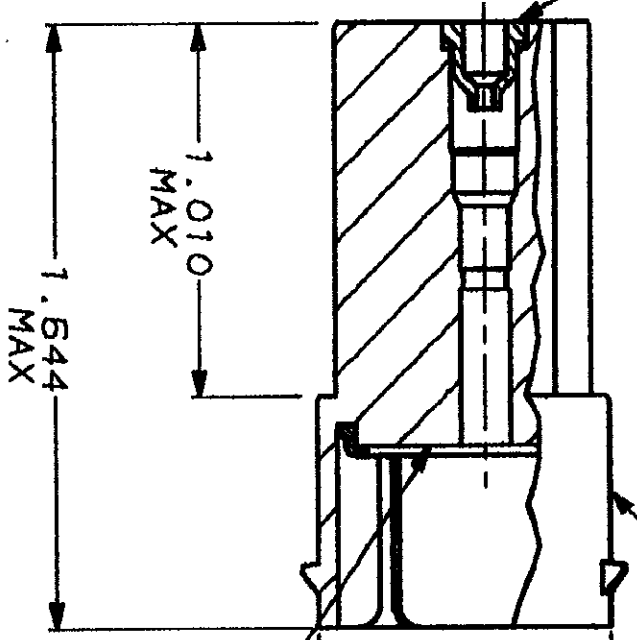
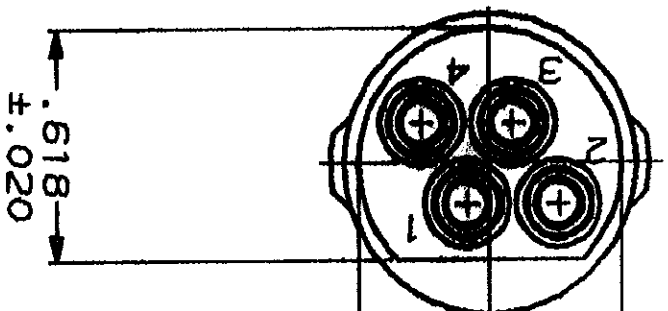


DRAWING MADE IN THIRD ANGLE PROJECTION
 THIS DRAWING IS UNPUBLISHED.
 © COPYRIGHT 1979
 RELEASED FOR PUBLICATION
 BY AMP INCORPORATED. ALL INTERNATIONAL RIGHTS RESERVED.

HOD	23	LOC	BD	DIST	39
-----	----	-----	----	------	----

REVISIONS	DESCRIPTION	DATE	APPD
1	REDRAWN AND REV PER ECN BD4183	8/2/80	MB



DISCRETE WIRE SEALS
 MATERIAL:
 ELASTOMER
 COLOR: BLACK

HOUSING:
 MATERIAL:
 THERMOPLASTIC
 COLOR: BLACK

INTERFACIAL SEAL
 MATERIAL:
 ELASTOMER
 COLOR: BLACK

1. WIRE INSULATION SEALING RANGE: .130-070 DIA.
2. THIN MEMBRANE PERMISSABLE ON SMALL DIAMETER OF WIRE SEALS.

207569-1
 PART NUMBER

PART NO

AMP
 AMP INCORPORATED
 Harrisburg, Pa. 17105

RECEPTACLE, 4 POSITION, STANDARD
 CIRCULAR SEALED CONNECTOR

DO NOT SCALE PRINT. DIMENSIONS SPECIFIED IN INCHES TOLERANCES ON: 2 P.L.C. DEC. ± .005 3 P.L.C. DEC. ± .002 ANGLES MATERIAL	DR B/2/80 A. STUB AS CHK J. Walker 1-21-91 APPD J. Blawie 1/25/91 PRODUCT SPEC	NAME AMP AMP INCORPORATED Harrisburg, Pa. 17105
FINISH	APPLIC. SPEC	SIZE B
WEIGHT	SCALE 2:1	PSCH NO 00779
		DRAWING NO 207569
		SHEET 1 OF 1

CUSTOMER DRAWING