

Programmable LED Driver

- Adjustable Output Current
- 10~20W Power Rating

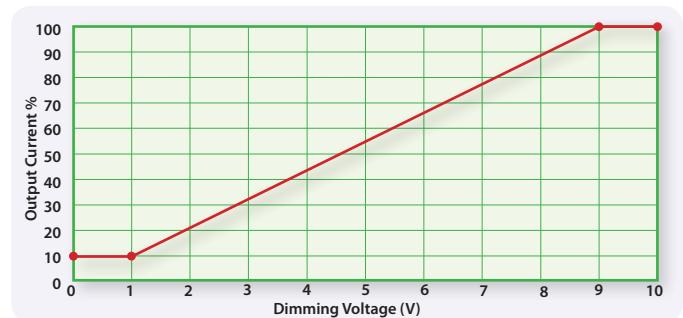
Features:

- Programmable current can be adjusted prior to installation
- 0~10V Low Voltage and PWM Dimming Function
- 90% Efficiency at Full Load
- Comprehensive protection against short-circuit, over voltage, overload and over temperature
- 0.5W Off-State Power Consumption
- 130K hours life time @ 45°C
- RoHS and WEEE Certified

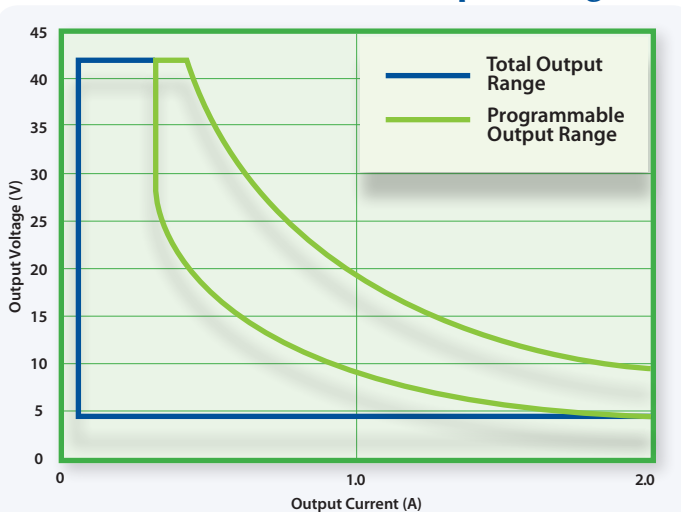


NMB's line of Performance LED Drivers offer a dimmable driver with a wide output current range and the ability to program the output current from 350mA to 2A, to match your application requirements. With brightness compensation and diagnostics, installation and maintenance has never been easier! The 0~10V and PWM digital dimming feature is IEC60929 and ANSI E1.3 compliant. Class II protection assures reinforced insulation between input and output voltages. Standard models offer IP20 rating, with higher ratings available on request to fulfill OEM requirements.

0~10V Dimming Ratio



CLSD-020-PRG-G2 Output Range



PWM Dimming Ratio



*Note: Programming the current of the Performance Line of CLSD Series Drivers requires the use of the CLSD-PRG-BOX-G2 Programming Box plus NMB's LED Driver Set-up Application Software. Please refer to our website at www.nmbtc.com/lighting for additional information.

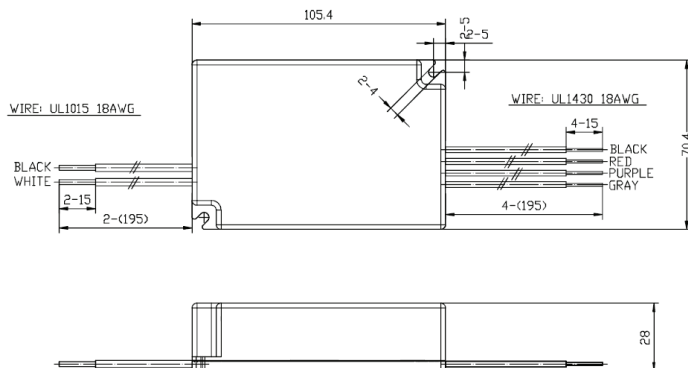
NMB

www.nmbtc.com/lighting

LED Driver Programmable Output Current Coverage

| LED DRIVER - 10W~20W POWER RATING | | | | |
|---|--|------|-----------------------------|------|
| PART NUMBER | DC Voltage Output [Vdc] | | Current Output [mA] | |
| | Min. | Max. | Min. | Max. |
| CLSD-020-PRG-G2 | 5 | 42 | 350 | 2000 |
| ELECTRICAL SPECIFICATIONS | | | | |
| Universal AC Input Voltage | 90-305 (Typical 100 VAC/277 VAC) | | | |
| Input Frequency | 50/60Hz | | | |
| Inrush Current | <36A (Max) | | | |
| Dimming Ratio | 10% in Linear Mode, and 0% in PWM Mode | | | |
| EPA Off-State | 0.5W (Max) | | | |
| Input Power at Full Load | 26W (Max) | | | |
| Efficiency at Full Load | 90% | | | |
| CONTROL & PROTECTION | | | | |
| Programmability | Programmable (using CLSD-PRG-BOX-G2 Programming Box) | | | |
| Protection | Short Circuit / Over voltage / Overload / Over temperature | | | |
| ENVIRONMENTAL, SAFETY & MECHANICAL SPECIFICATIONS | | | | |
| CRITERIA | SPECIFICATION | | REFERENCE | |
| Power Factor | >0.9 | | | |
| Harmonics | Class C | | IEC 61000-3-2 | |
| Isolation Voltage | 3000VAC | | Minimum | |
| Surge Immunity | Level 3 | | IEC 61000-4-5 | |
| Operating Temperature (around case) | -25°C to 60°C | | Operating | |
| Storage Temperature | -40°C to 85°C | | Non-Operating | |
| Lifetime (Minimum hours) | 130,000 | | At Maximum Load (45°C 110V) | |
| Weight | 220g | | Maximum | |
| Ingress Protection | IP20 | | | |
| Safety: UL | UL8750 UL60950 / UL1310 Class 2 Output | | Approved | |
| CSA | C22.2 No. 107 C22.2 No. 223 | | Approved | |
| EN | 60335-1 / 61347-1 / 61347-2-13 | | Approved | |
| EMC | FCC 47 CFR Part 15 Class B / EN61000-3-2 / EN61000-3-3 | | Approved | |
| CE | EN61000-3-2 / EN61000-3-3 | | Approved | |

Mechanical Drawing



NMB

A Minebea Group Company

Corporate Headquarters
 NMB Technologies Corporation
 9730 Independence Avenue
 Chatsworth, California 91311
 Tel: 818-341-3355
 Fax: 818-341-8207
 lighting@nmbtc.com
 www.nmbtc.com

European Sales Office
 NMB-Minebea-GmbH
 Siemens Str. 30, D-63225
 Langen, Germany
 Tel: 49-6103-913-0
 Fax: 49-6103-913-220
 info_de@nmb-minebea.com
 www.nmb-minebea.com