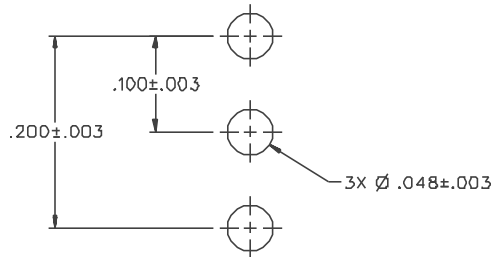
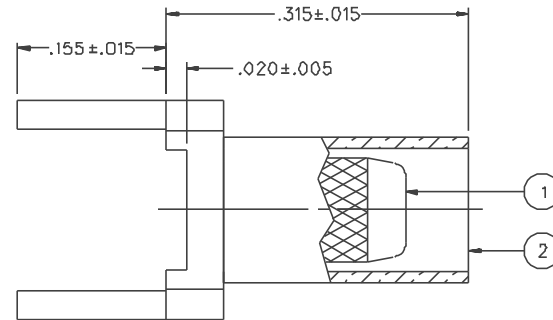
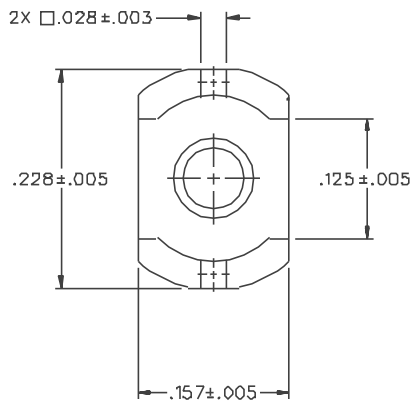
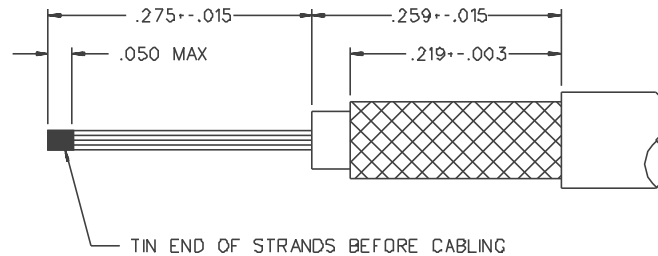


PART NUMBER	ITEM ① BODY	ITEM ② CRIMP SLEEVE
142-0003-231	BRASS GOLD PL .00001 MIN OVER NICKEL PL .00005 MIN OVER COPPER PL .00005 MIN	COPPER GOLD PL .00001 MIN OVER NICKEL PL .00005 MIN OVER COPPER PL .00005 MIN
142-0003-236	BRASS NICKEL PL .0001 MIN OVER COPPER PL .00005 MIN	COPPER NICKEL PL .0001 MIN OVER COPPER PL .00005 MIN

DRAWING NO. C - 142-0003-231/240	
0	REVISIONS
ENGINEERING RELEASE	
I	9-9-94 R H P R S ECN 42778



MOUNTING HOLE LAYOUT



CABLE STRIP DIMENSIONS

CUSTOMER DRAWING

THIS DRAWING TO BE INTERPRETED  
PER ANSI Y 14.5M - 1982

"μSTATION"


COMPANY CONFIDENTIAL

NOTES:

1. SPECIFICATIONS:

CABLE ACCEPTABILITY: RC 1B8/U, RC 316/U, RC 161/U  
RC 174/U, RC 179/U, RC 167/U

CABLE HEX CRIMP SIZE: J28  
CABLE RETENTION: 20 LBS.  
IMPEDANCE: 50 OHMS

TOLERANCE UNLESS OTHERWISE SPECIFIED		DRAWN BY SWC	DATE 7-25-94	 Cinch Connectivity Solutions 299 Johnson Ave. Ste. 100 Waukegan, IL 60093 1-800-247-8256
DECIMALS	mm	CHECKED BY	DATE	
.XX				TITLE CABLE TERMINATION, STRAIGHT PC MOUNT, RG 316
.XXX		APPROVED BY SWC	DATE 9-9-94	CODE NO.
MATL		APPROVED BY TAK/RJB	DATE 9-19-94	DRAWING NO. C - 142-0003-231/240
FINISH		RELEASE DATE		SCALE 10:1   U/M INCH   SHEET 2 OF 2