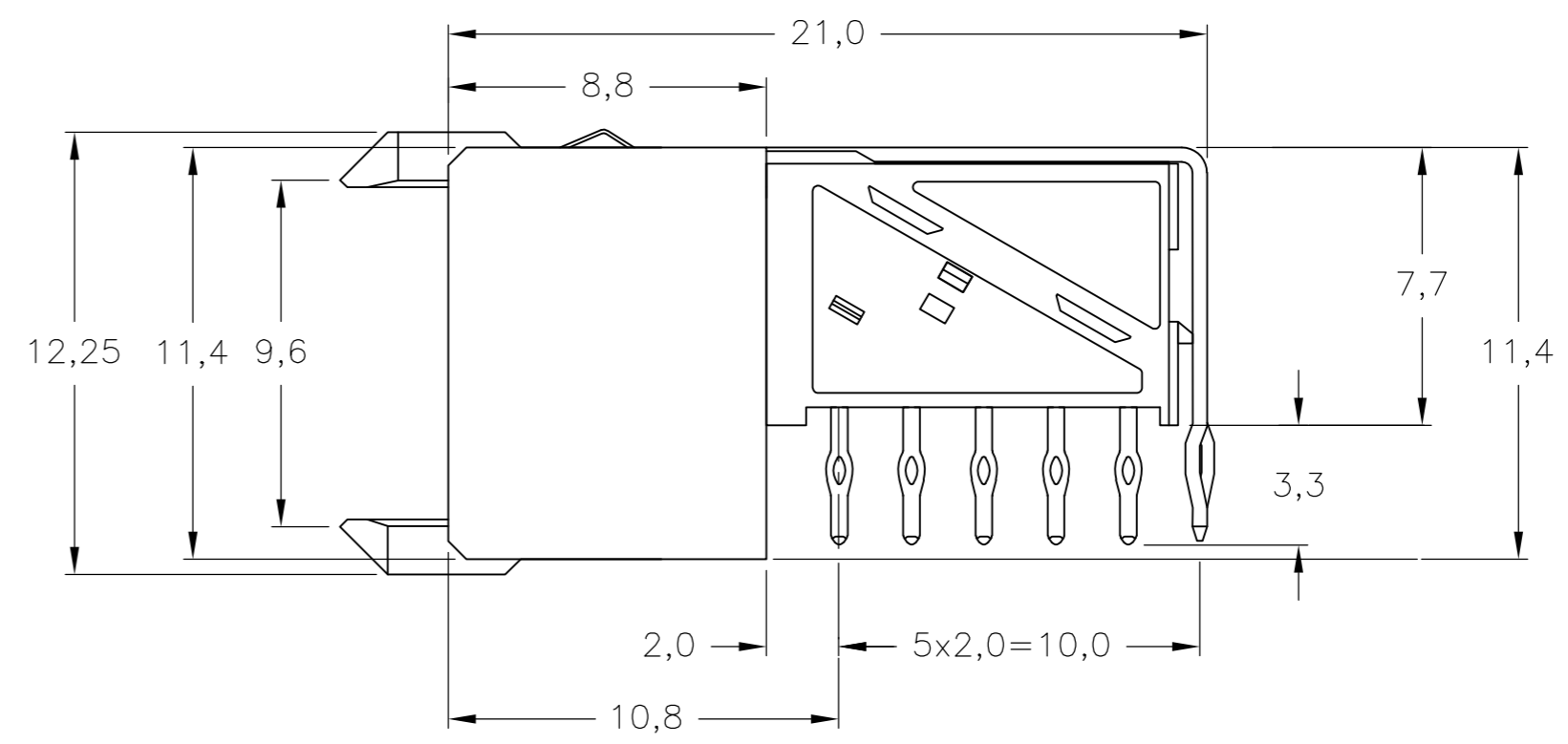
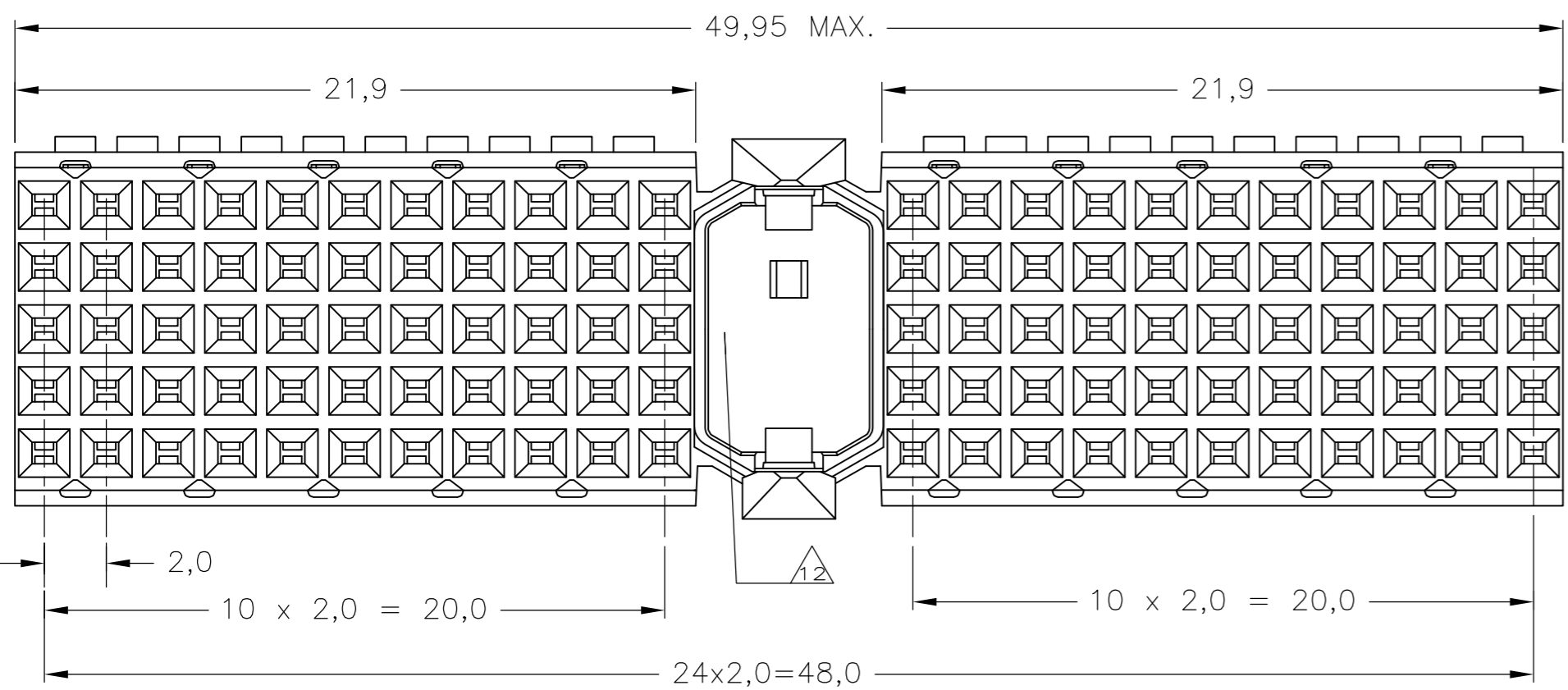
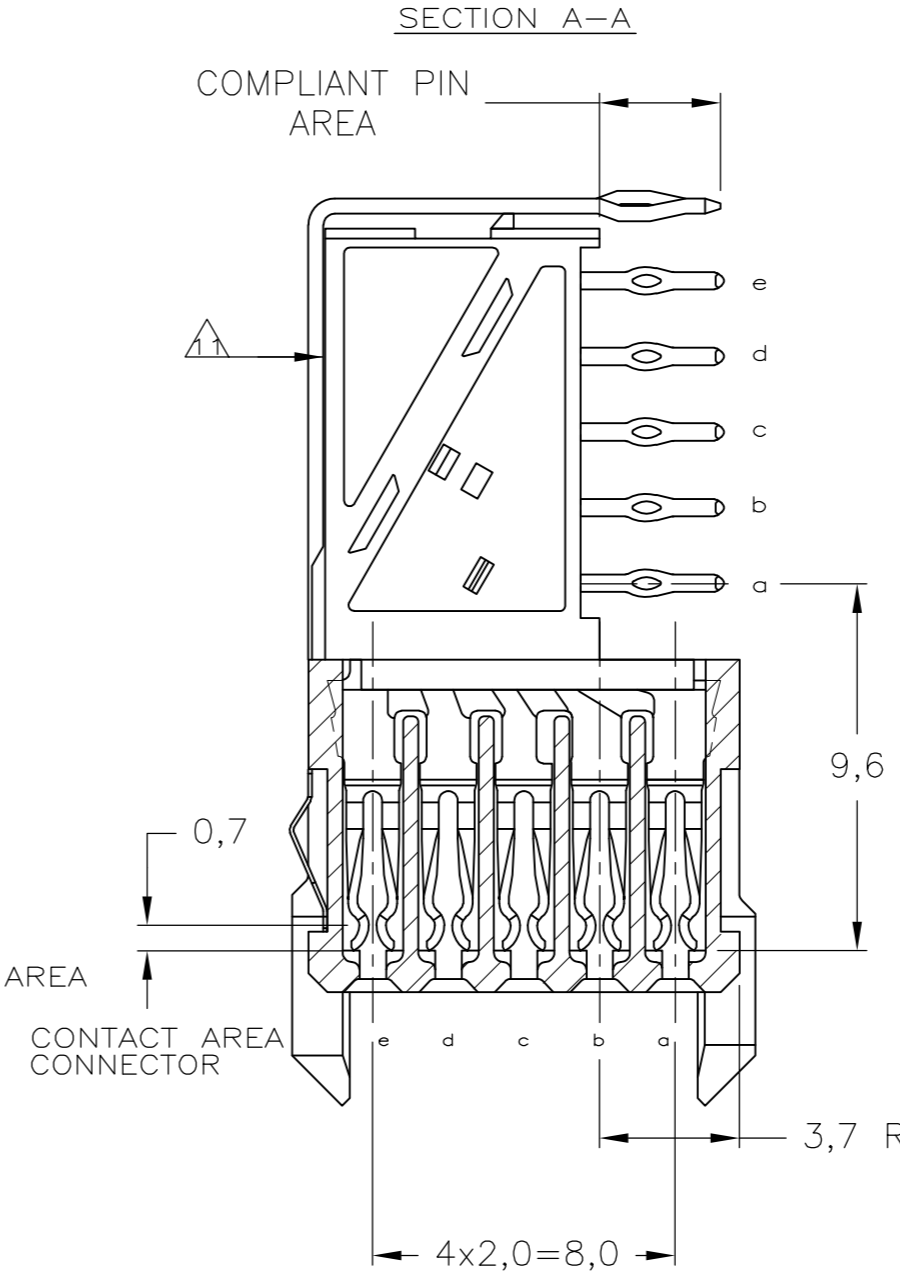
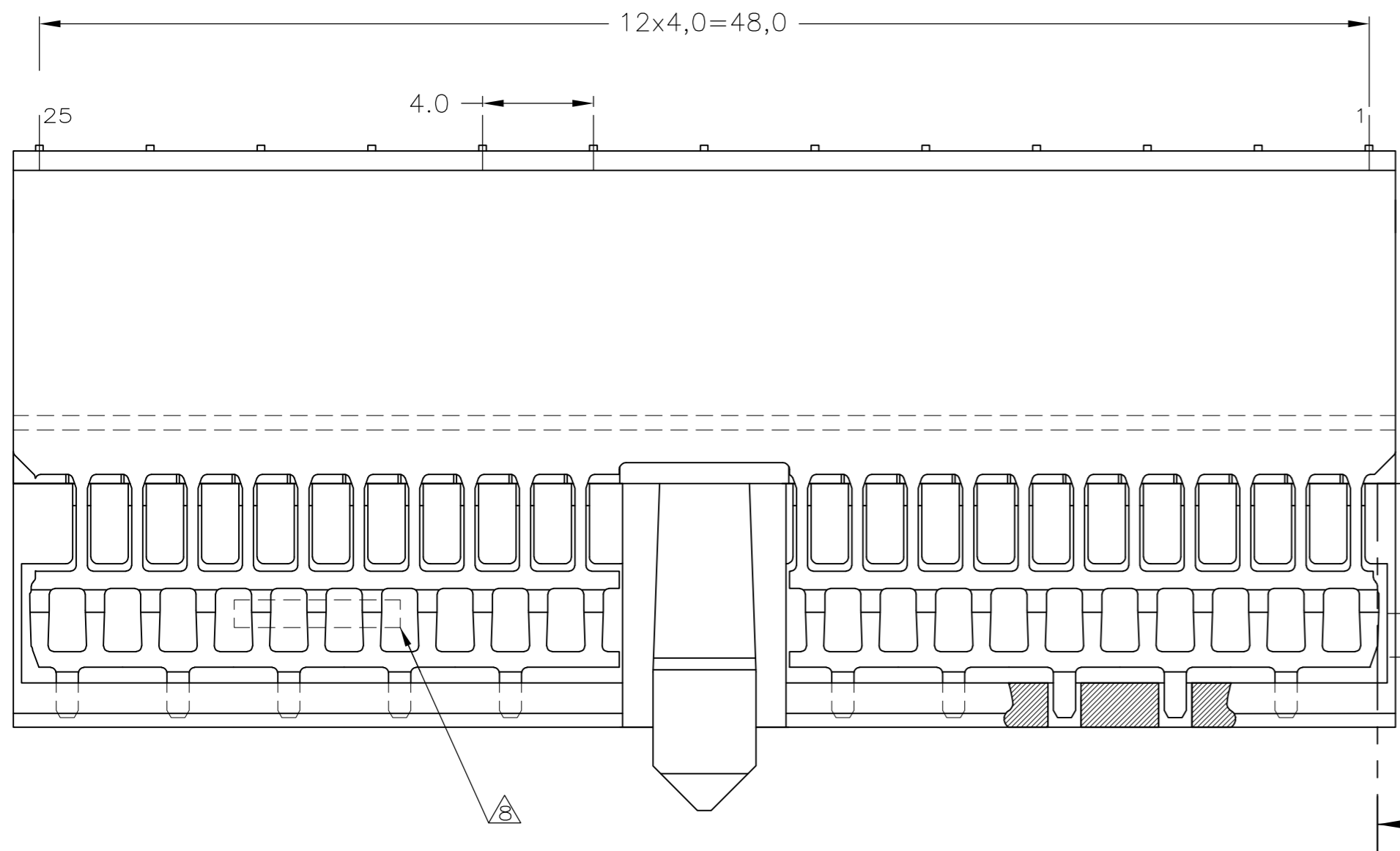


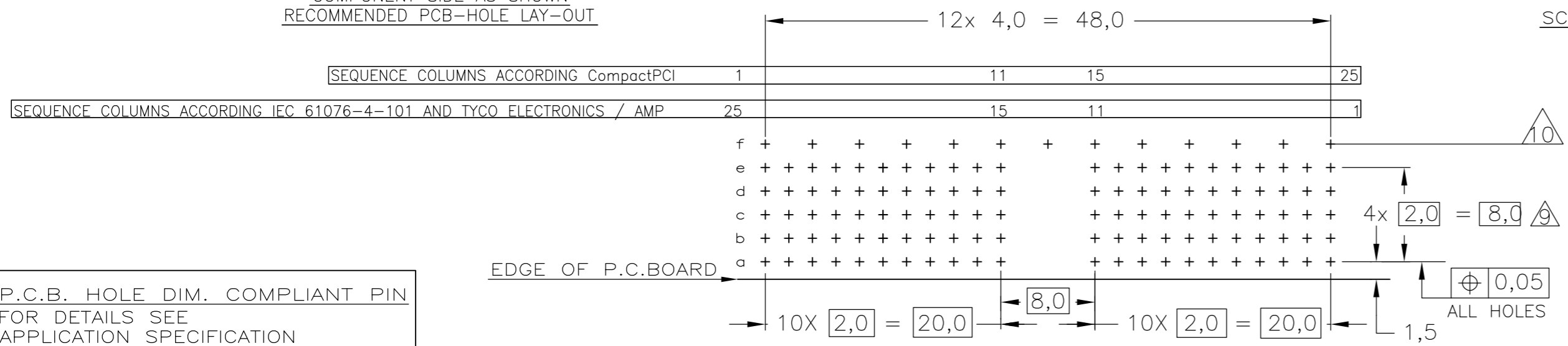
THIS DRAWING IS UNPUBLISHED. RELEASED FOR PUBLICATION  
 © COPYRIGHT BY TYCO ELECTRONICS CORPORATION. ALL RIGHTS RESERVED.

LOC	DIST	REVISIONS					
		P	LTR	DESCRIPTION	DATE	DWN	APVD
H	-	A1		ECR-07-024984	19OCT2007	JvH	JB
		C		ECO-11-024491	13DEC11	SY	MQW

- NOTES:
- △ MATERIAL CONTACTS; PHOSPHORBRONZE
  - △ MATERIAL HOUSING; GLASSFILLED POLYESTER (GRAY)
  - △ GENERAL PLATING SPECIFICATION: UNDERPLATING (ENTIRE CONTACT): 1,27µm NICKEL MIN. AND COMPLIANT PIN SECTION: 0,5µm TIN MIN. FOR PLATING OF MATING SURFACES SEE APPLICABLE SPECIFICATION REFERENCE FOR EACH DASH NUMBER.
  - △ CONFORMS TO ALL TESTING ACCORDING IEC 61076-4-101 PERFORMANCE LEVEL 2.
  - △ CONFORMS TO ALL TESTING ACCORDING IEC 61076-4-101 PERFORMANCE LEVEL 1.
  - △ CONNECTOR TESTED AND QUALIFIED AGAINST TELCORDIA GR-1217-CORE QUALITY LEVEL III, CENTRAL OFFICE APPLICATIONS. CONNECTOR LUBRICATED WITH TELCORDIAGR-1217-CORE APPROVED LUBRICANT.
  - △ PLATING SHIELD:  
CONTACT AREA: 0,76µm Au MIN.  
COMPLIANT PIN SECTION: 0,5µm Sn MIN.  
REMAINDER : Ni
  - △ ASSEMBLY PRINTED WITH P/N AND DATECODE  
THE MARKING CAN APPEAR ON THE FRONT SIDE OR BACK SIDE.
  - △ HOLE PATTERN FOR FEMALE CONNECTOR TYPE A  
110 PLATED-THROUGH HOLES AT 2x2mm SQUARE GRID
  - △ ROW "f" 13 PLATED THROUGH HOLES FOR UPBERSHIELD
  - △ SHIELD MOUNTED ON CONNECTOR WITH DOUBLE SIDED ADHESIVE TAPE OR ADHESIVE.
  - △ AREA RESERVED FOR KEYING PART (BASIC P.N. 100526)  
13 BASIC P.N. LOWERSHIELD: 5338108



COMPONENT SIDE AS SHOWN  
RECOMMENDED PCB-HOLE LAY-OUT



SCALE 2,5:1

FINISH	MATERIAL	PARTNUMBER
△△△△	△	1857994-9
△△△	△	1857994-4
△△	△	1857994-1

P.C.B. HOLE DIM. COMPLIANT PIN  
FOR DETAILS SEE  
APPLICATION SPECIFICATION

THIS DRAWING IS A CONTROLLED DOCUMENT.		DWN J.van Hoek 23AUG2007	Tyco Electronics Corporation 's-Hertogenbosch, 5222AR-32
DIMENSIONS: mm		CHK J.Broeksteeg 23AUG2007	
TOLERANCES UNLESS OTHERWISE SPECIFIED: ±0.2		APVD B.Mooij 23AUG2007	
MATERIAL - FINISH -		NAME	
6-PLG ±		PRODUCT SPEC 108-19082	Z-PACK 2mm HM
1-PLG ±		APPLICATION SPEC 114-19029	TYPE A - 25 COLUMNS
2-PLG ±		WEIGHT -	PRE-SHIELDED RECEPTACLE
3-PLG ±		CUSTOMER DRAWING	SIZE A2 CAGE CODE 00779 C=1857994
4-PLG ±		SCALE 5:1 SHEET 1 OF 1	RESTRICTED TO -
ANGLES ±		REV C	