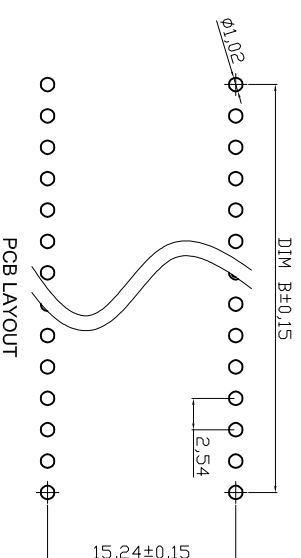
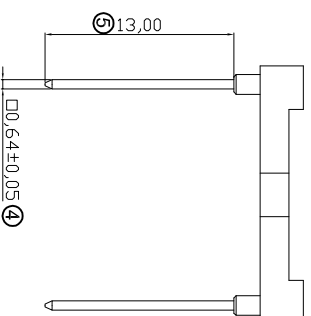
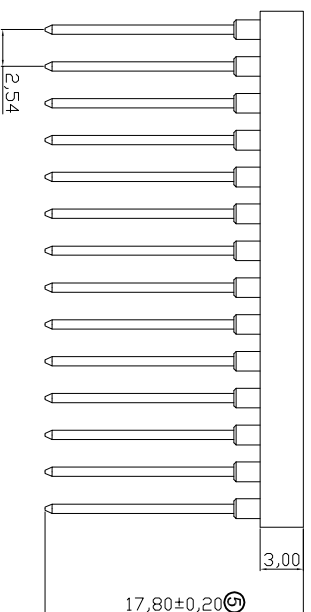


Contact	DIM A	DIM B
24	30.48	27.94
28	35.56	33.02



- NOTES:**
- MATERIAL**
- 1.Pin(outer sleeve): Brass, machined CuZn38Pb2
 - 2.Clip(contact 4 finger): Beryllium copper, heat treated
 - 3.Plating(outer sleeve): 2um/80u"nickel, 5um/200u"Ti
 - 4.Plating(contact): 2um/80u"nickel, Gold flash
 - 5.Insulator Material: Glass filled PBT, UL94V-0 Black
- ELECTRICAL**
- 1.Current Rating: 3Amps/contact max.
 - 2.Contact Resistance: 4mΩ/contact max.
 - 3.Insulation Resistance: 1000MΩ min. at V=100V
 - 4.Operating Voltage: 60VAC/DC
- MECHANICAL**
- 1.Average Insertion force with steel pin of $\phi 0,43\text{mm}/0,017''$; <250g
 - 2.Average Withdrawal force with steel pin of $\phi 0,43\text{mm}/0,017''$; >90g min.
 - 3.Mechanical life cycle: 200 mln.
 - 4.Operation Temperature: -40°C to +105°C
 - 5.Soldering temperature: +220°C, 10s max.

Packing: Tube

RoHS compliant
Unit: mm

Scale	Free				
TOLERANCE					
X.	±0.50	⑤	Update to new drawing	28.10.2016	Amy
X.X	±0.30	④	Update the pin size	30.10.2014	Amy
X.XX	±0.20	③	Change to round pin 0.7mm	01.09.2011	Lucas
X.XXX	±0.10	②	Modify notes	17.12.2009	Dean
DIM	TOL	①	Drawn	23.07.2009	Dean
Angle	±5°				
Angle	TOL		Modification		

Date	Name	Date	Name
23.07.2009	Dean	28.10.2016	Amy

Customer-No.	ASSMANN WSW-No.	AR 24-HZW/TN
		AR 28-HZW/TN
Drawing-No.	ASSMANN WSW-No.	
ASS 3579 CO	AR 24-HZW/TN	
Replace	AR 28-HZW/TN	
	rev05	



1 2 3 4 5 6 7

A								
B								
C								
D								
E								
F								
G								
H								