



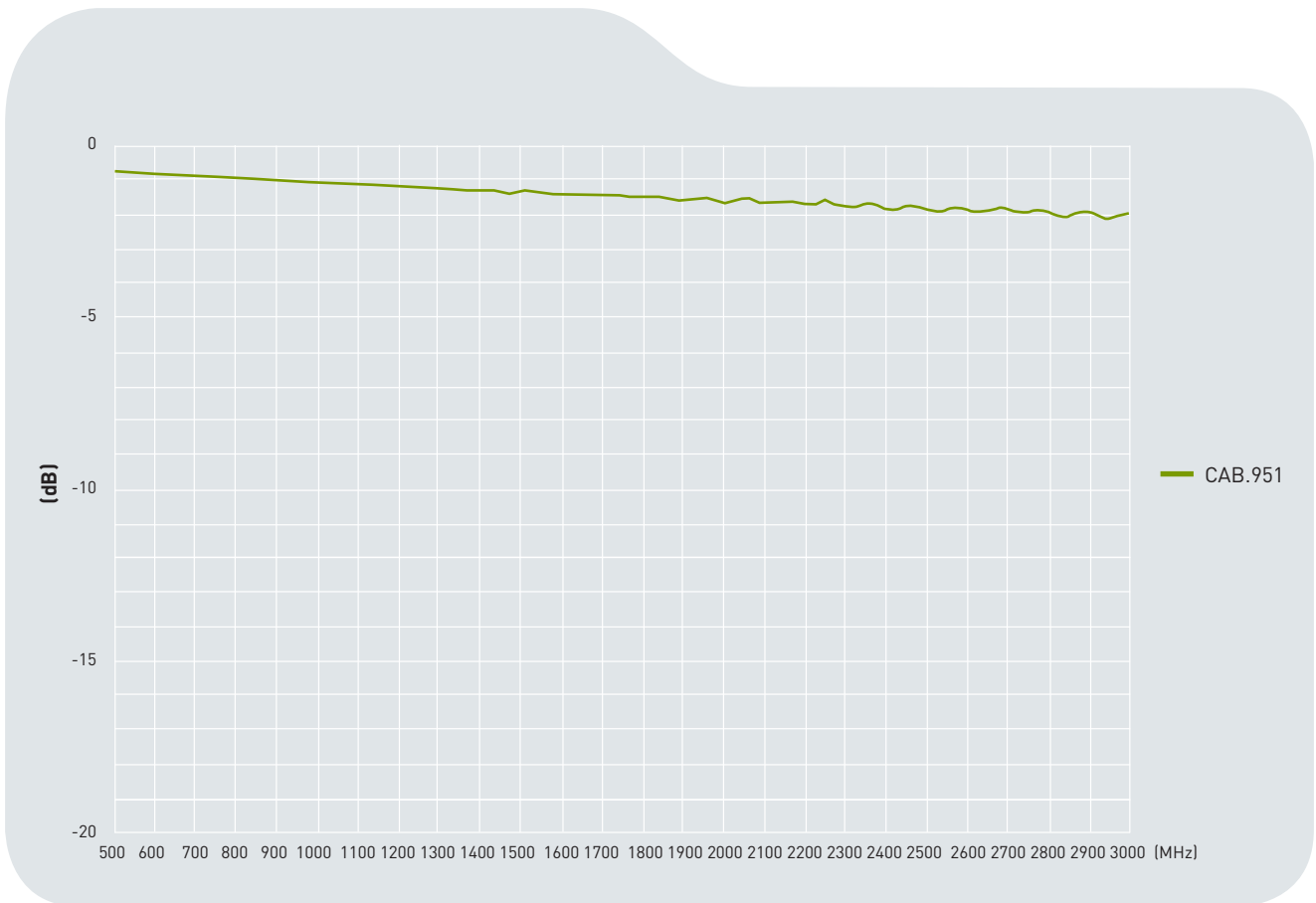
Close-up of CAB.951

CAB.951

Specification

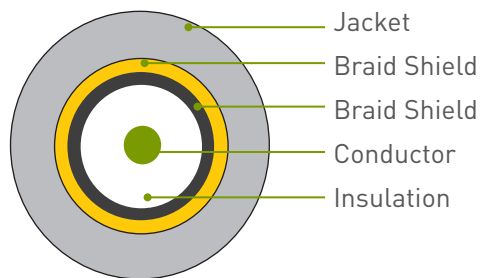
| | |
|---------------------|---|
| Part No. | CAB.951 |
| Product Name | CAB.951 Taoglas Cable Assembly N Type Jack with O-Ring to 1000mm (3.28') RG-316 to SMA(M) |

1. Cable Insertion Loss

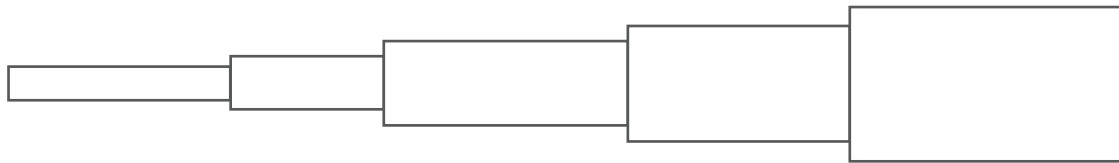


2. RG-316 Cable Specification

2.1 Drawing - Cross Section



2.2 Structure and Dimensions



| Conductor | Insulation | Braid Shield | Braid Shield | Jacket |
|--|---|--|--|---|
| <ul style="list-style-type: none"> Material - Silver Coated Copper Clad Steel 26AWG (7/0.175mm) Diameter - 0.53mm | <ul style="list-style-type: none"> Material - FEP Avg. Thickness - 0.51mm Diameter - 1.53±0.03mm Colour - Clear | <ul style="list-style-type: none"> Material - Silver Coated Copper Structure - 16/5/0.10mm Coverage - 95% Diameter - 1.98±0.05mm | <ul style="list-style-type: none"> Material - Silver Coated Copper Structure - 16/5/0.10mm Coverage - 86% Diameter - 2.38±0.05mm | <ul style="list-style-type: none"> Material - FEP Avg. Thickness - 0.30mm Diameter - 2.90±0.10mm Colour - Brown |

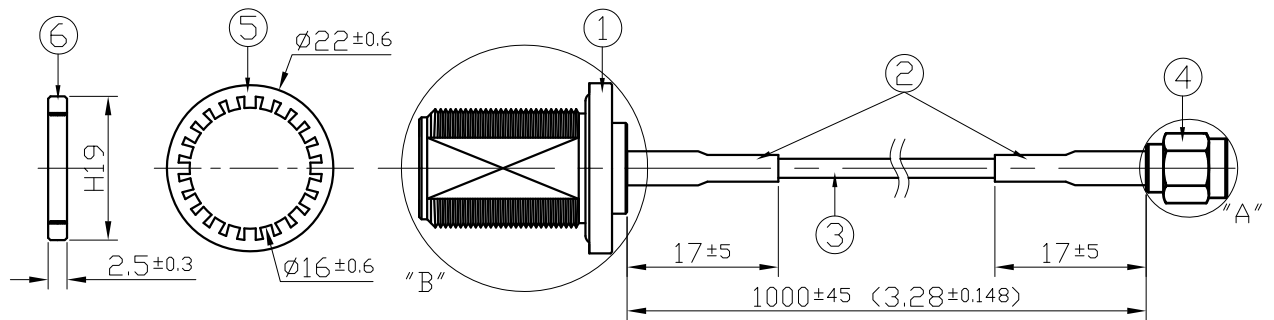
2.3 Electrical & Physical Specification

| | |
|-------------------------------|---------------------|
| Rating Temp Voltage: | 105°C 30V |
| Insulation Resistance: | 3000 MΩ-Km (Min) |
| Conductor Resistance: | 302 Ω/Km 20°C (Max) |
| Dielectric Strength: | AC 1 KV/Minute |
| Spark Test | 5.0 KV |
| Nom. Impedance | 50 ± 3 Ω |
| Nom. Capacitance | 95.8 ± 3 pF/m |
| Nom. Vel. of Prop. | 69% |
| VSWR (0-6 GHz) | Max 1.3 |

| Attenuation (dB / 1M) | 2GHz | 2.4GHz | 3GHz | 4GHz | 5GHz | 6GHz |
|-----------------------|------|--------|------|------|------|------|
| | 1.35 | 1.5 | 1.62 | 1.91 | 2.2 | 2.7 |

3. Technical Drawing

3.1 CAB.951



| | Name | Material | Finish | QTY |
|---|---------------------------|----------|-----------|-----|
| 1 | N Type(F)ST | Brass | Ni Plated | 1 |
| 2 | Heat Shrink Tube (RG-316) | PE | Black | 2 |
| 3 | RG-316 Coaxial Cable | FEP | Brown | 1 |
| 4 | SMA(M)ST | Brass | Gold | 1 |
| 5 | Washer | Brass | Ni Plated | 1 |
| 6 | Nut | Brass | Ni Plated | 1 |

3.2 Connectors

