

**Product number C10385\_NIS83-MX-4-SS**

Family	Quak	FWHM	12 degrees
Type	Lens array	Efficiency	-
LED	MX-6	cd/lm	-
Color	Clear	Gerber File	Available
Diameter	50 mm	MR16 Applications	
Height	15.23 mm		
Style	Round		
Optic Material	PMMA		
Holder Material	-		
Fastening	["glue", "pin"]		
Status	Production ready		

**Product number C10386\_NIS83-MX-4-M**

Family	Quak	FWHM	22 degrees
Type	Lens array	Efficiency	-
LED	MX-6	cd/lm	-
Color	Clear	Gerber File	Available
Diameter	50 mm	MR16 Applications	
Height	15.23 mm		
Style	Round		
Optic Material	PMMA		
Holder Material	-		
Fastening	["glue", "pin"]		
Status	Production ready		

**Product number C10387\_NIS83-MX-4-W**

Family	Quak	FWHM	50 degrees
Type	Lens array	Efficiency	-
LED	MX-6	cd/lm	-
Color	Clear	Gerber File	Available
Diameter	50 mm	MR16 Applications	
Height	15.23 mm		
Style	Round		
Optic Material	PMMA		
Holder Material	-		
Fastening	["pin", "glue"]		
Status	Production ready		

**NOTE: The typical divergence will be changed by different color, chip size and chip position tolerance. The typical total divergence is the full angle measured where the luminous intensity is half of the peak value.**



## PRODUCT DATASHEET

### Quak series

last update 16/3/2016

#### GENERAL INFORMATION

- Product series especially designed & optimized for MX-6 series of LEDs.
- Special care taken to make light distribution as uniform as possible.
- Lens material optical grade PMMA with high UV and temperature resistance. Allows use of high current and temperature conditions.

Please find more information about used material from below:

[http://ledil.fi/sites/default/files/Documents/Technical/Material/PMMA%20N%20UL94\\_Yellow%20Card.pdf](http://ledil.fi/sites/default/files/Documents/Technical/Material/PMMA%20N%20UL94_Yellow%20Card.pdf)

<http://ledil.fi/sites/default/files/Documents/Technical/Material/PMMA%20N%20PLEXIGLAS-Datasheet.pdf>

D

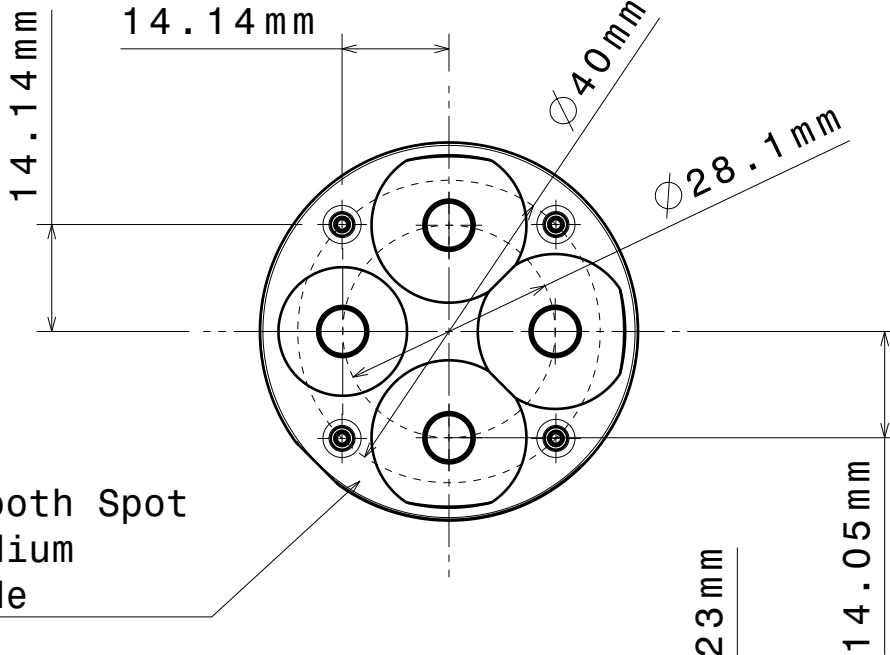
C

B

A

4

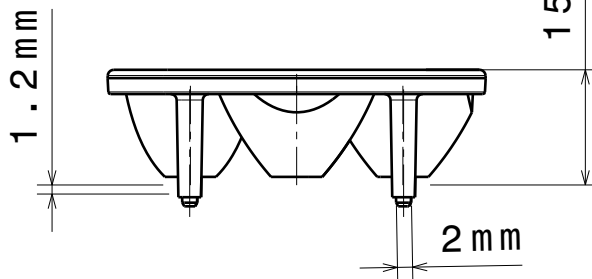
4



MARKING:  
 NS = Smooth Spot  
 NM = Medium  
 NW = Wide

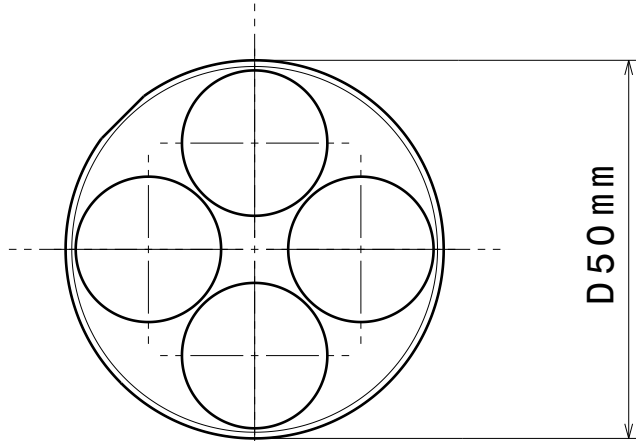
3

3



2

2



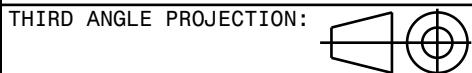
Applies to:

- Spot C10385\_MX6-4-SS
- Medium C10386\_MX6-4-M
- Wide C10387\_MX6-4-W

INDEX	DESCRIPTION	MATERIAL	COLOUR
1	MX-4 series lens	PMMA	

Tolerances if not otherwise shown  
 According to DIN ISO 2768-1  
 Linear measures:  
 Up to 30mm class M, otherwise class C.  
 According to DIN ISO 2768-2  
 Form and position: class L

**LEDiL** Ledil Oy  
 Salorankatu 10  
 FIN 24240 SALO  
 Finland



DRAWING TITLE  
**MX-4 series lens**

This drawing is the property of LEDiL Oy. It may not be reproduced, copied or communicated without a written agreement with LEDiL Oy.

SIZE	PART NUMBER
A4	C10385-387

SCALE	1:1	WEIGHT	-	SHEET	1/1
-------	-----	--------	---	-------	-----

D

A

1