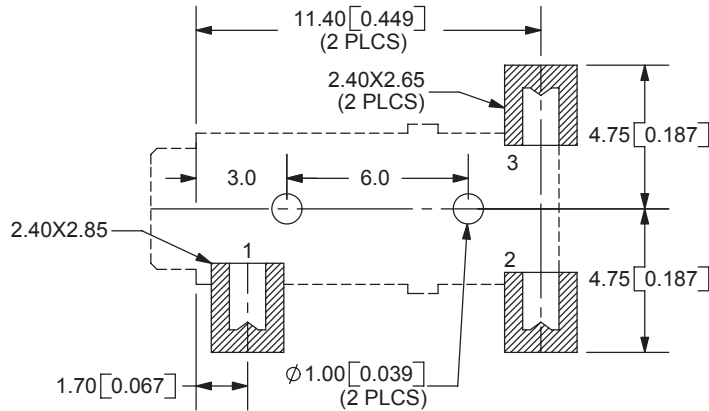
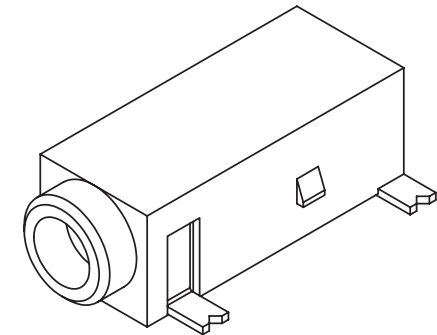
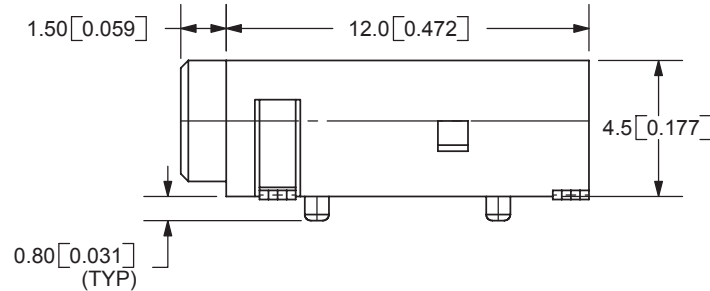
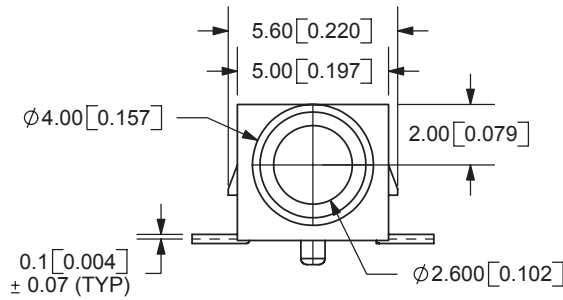
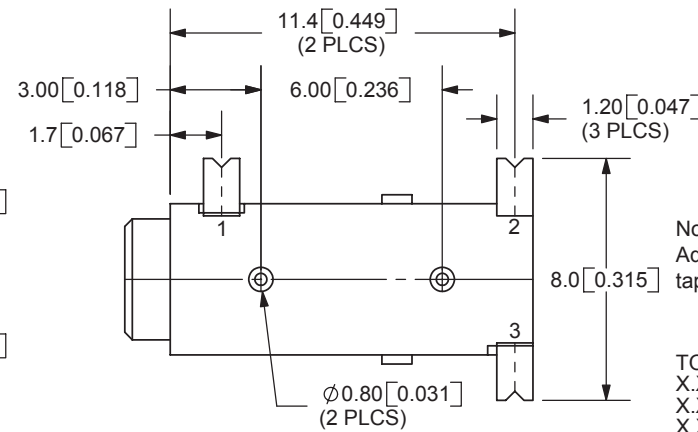


REV.	DESCRIPTION	DATE
A	NEW DRAWING	11/16/2005
B	added TR package option	11/7/2012



PCB LAYOUT  
TOP VIEW



Note:  
Add suffix "-TR" to the model number for  
tape & reel packaging

TOLERANCE:  
X.X ±0.2mm  
X.XX ±0.1mm  
X.XXX ±0.05mm



MODEL NO.	MJ-2523-SMT
SCHEMATIC	

**SPECIFICATIONS:**  
RATING: 12V DC @ 1A  
CONTACT RESISTANCE: 30m OHMS MAX  
INSULATION RESISTANCE: 50M OHMS MIN: 500V DC  
VOLTAGE WITHSTAND: 500V AC R.M.S. FOR 1 MINUTE  
LIFE: 5,000 CYCLES  
OPERATING TEMP: -25° ~ +85°C

	MATERIAL	PLATING
TERMINAL 1	Copper Alloy	Silver
TERMINAL 2	Copper Alloy	Silver
TERMINAL 3	Brass	Silver
HOUSING	PA6T	

TITLE: 2.5mm SURFACE MOUNT AUDIO JACK-MONO	REV: B
PART NO. MJ-2523-SMT	UNITS: MM [INCHES]
DRAWN BY: ZRJ	APPROVED BY:
SCALE: 4:1	

PC FILE NAME:  
MJ-2523-SMT

COPYRIGHT 2012 BY CUI INC.



20050 SW 112th Ave.  
Tualatin, OR 97062  
Phone: 503-612-2300  
800-275-4899  
Fax: 503-372-1266  
Website: www.cui.com