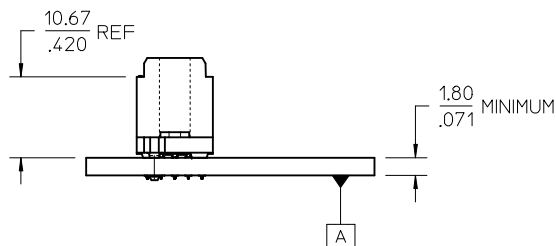
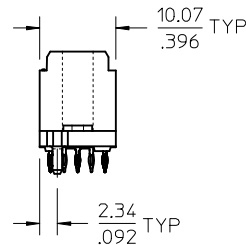
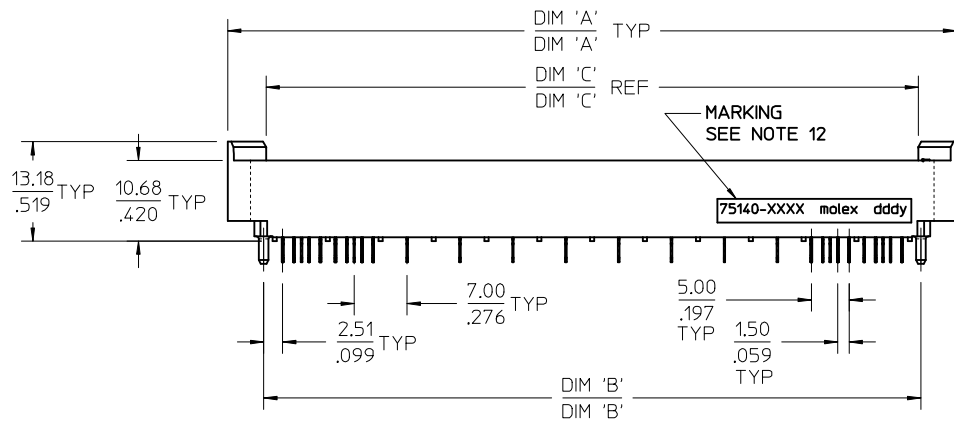


NOTES:

- 1) MATERIALS:
HOUSING - LIQUID CRYSTAL POLYMER, UL94 V-0
WAFER DIELECTRIC - LIQUID CRYSTAL POLYMER, UL94 V-0
CONTACT - COPPER ALLOY
- 2) FINISHES:
SEE SHEET 2
- 3) PRODUCT SPECIFICATION
THIS PART CONFORMS TO MOLEX SPECIFICATION PS-75018-001
- 4) PACKAGING SPECIFICATION
THIS PART TO BE PACKAGED PER SPECIFICATION PK-75020-005
- 5) APPLICATION SPECIFICATION
THIS PART TO BE APPLIED PER SPECIFICATION AS-75018-001
APPLICATION TOOL AND INSTRUCTIONS PER AS-75018-001
- 6) MATING INFORMATION
THIS PART MATES WITH 75019-XXXX.
WILL MATE WITH MAXIMUM 1.27mm MISALIGNMENT.
WILL MATE WITH MAXIMUM 0.5° ROTATION MISALIGNMENT.
- 7) FOR CIRCUIT DESIGNATION SEE SHEET 3
- 8) FOR PCB INFORMATION SEE SHEET 3
- 9) CIRCUITS IN THIS ZONE HAVE BEEN OMITTED TO SIMPLIFY THE MODEL. ACTUAL PRODUCT IS FULLY LOADED WITH TERMINALS.
- 10) APPLICATION TOOLING KEEP OUT AREA.
NO COMPONENTS ALLOWED IN THIS AREA.
- 11) CONFORMS TO MOLEX COSMETIC SPECIFICATION PS-45499-002 AND PS-45499-003 CLASS C.
- 12) MARKING: PART NUMBER, MOLEX LOGO, DATE CODE (dddy)
- 13) RECOMMENDED DRILL SIZE 0.66±0.03 TO YIELD FINISHED PLATED THROUGH HOLE 0.55±0.05



CONVERT TO LEAD-FREE EC NO: UCP2013-1884 DRWN:TIBARRA 2012/11/12 CHKD: APPR:SMILLER 2013/01/04	QUALITY SYMBOLS	DESCRIPTION
	▽=0	
	▽=0	
	▽=0	

GENERAL TOLERANCES (UNLESS SPECIFIED)	
mm	INCH
4 PLACES ± .005	± .005
3 PLACES ± .005	± .005
2 PLACES ± 0.13	± .010
1 PLACE ± 0.25	± .020
0 PLACE ± .005	± .005
ANGULAR ±1/2°	
DRAFT WHERE APPLICABLE MUST REMAIN WITHIN DIMENSIONS	

DIMENSION STYLE MM ONLY	
DRAWN BY	DATE
MIBARRA	2009/05/20
CHECKED BY	DATE
SDANNELLEY	2009/05/20
APPROVED BY	DATE
SMILLER	2009/05/20
MATERIAL NO. SEE TABLE	
SIZE	C

SCALE 2:1	DESIGN UNITS METRIC	THIRD ANGLE PROJECTION
HIGH SPEED DOCKING VERTICAL FIXED CONNECTOR NO GROUND FINGER		
molex		
MATERIAL NO. SD-75140-005	DOCUMENT NO.	SHEET NO. 1 OF 3
THIS DRAWING CONTAINS INFORMATION THAT IS PROPRIETARY TO MOLEX. INCORPORATED AND SHOULD NOT BE USED WITHOUT WRITTEN PERMISSION		

ITEM NUMBER	CIRCUIT SIZE	NO. OF COLUMNS 'N'	O/A LENGTH DIMENSION 'A' mm(in)	PEG TO PEG DIMENSION 'B' mm(in)	WALL TO WALL DIMENSION 'C' mm(in)	FIRST-LAST DIMENSION 'D' mm(in)	PLATING FINISH
75140-5012	144	48	96.5 (3.80)	87.00 (3.425)	86.32 (3.398)	82.00 (3.228)	FINISH 1
75140-5017	108	36	75.5 (2.97)	66.00 (2.598)	65.29 (2.570)	61.00 (2.402)	FINISH 1
75140-7012	144	48	96.5 (3.80)	87.00 (3.425)	86.32 (3.398)	82.00 (3.228)	FINISH 2
75140-7017	108	36	75.5 (2.97)	66.00 (2.598)	65.29 (2.570)	61.00 (2.402)	FINISH 2
75140-9012	144	48	96.5 (3.80)	87.00 (3.425)	86.32 (3.398)	82.00 (3.228)	FINISH 3
75140-9017	108	36	75.5 (2.97)	66.00 (2.598)	65.29 (2.570)	61.00 (2.402)	FINISH 3

1) FINISHES:

FINISH 1: (PREVIOUSLY TIN-LEAD)


CONTACT INTERFACE
0.76 MICROMETERS MINIMUM SELECT GOLD
NICKEL UNDERPLATE OVERALL
COMPLIANT INTERFACE
0.76 MICROMETERS MINIMUM SELECT TIN OVER
NICKEL UNDERPLATE OVERALL
HOUSING
0.10 MICROMETERS MAXIMUM GOLD OVER
3.81 MICROMETERS MINIMUM NICKEL OVER
COPPER UNDERPLATE OVERALL

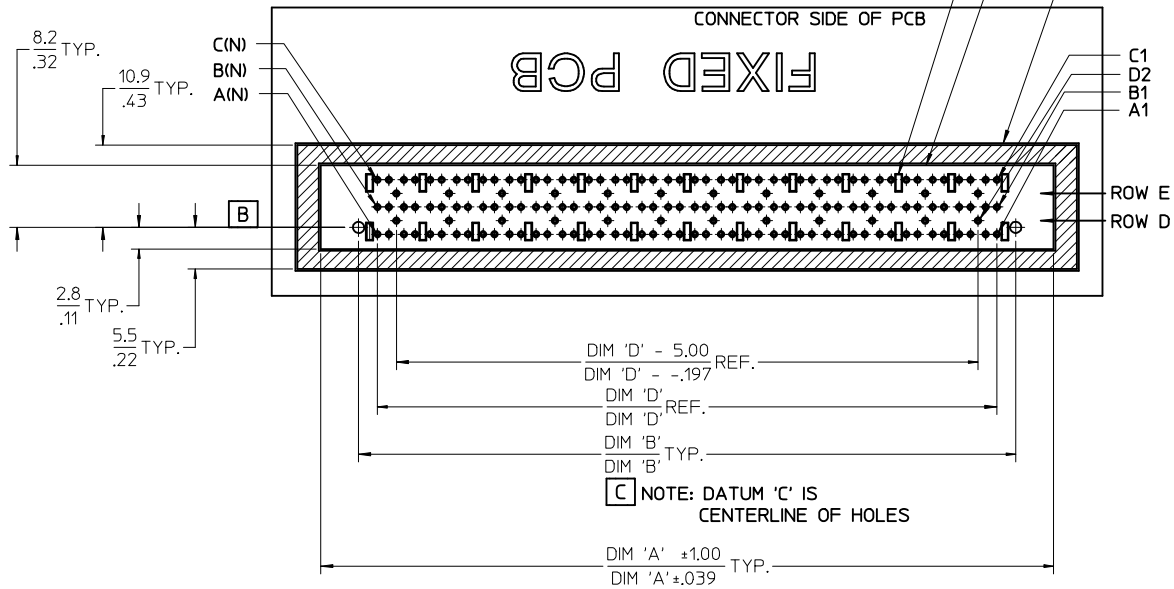
FINISH 2:

CONTACT INTERFACE
0.76 MICROMETERS MINIMUM SELECT GOLD
NICKEL UNDERPLATE OVERALL
COMPLIANT INTERFACE
0.76 MICROMETERS MINIMUM SELECT MATTE TIN
NICKEL UNDERPLATE OVERALL
HOUSING
0.10 MICROMETERS MAXIMUM GOLD OVER
3.81 MICROMETERS MINIMUM NICKEL OVER
COPPER UNDERPLATE OVERALL

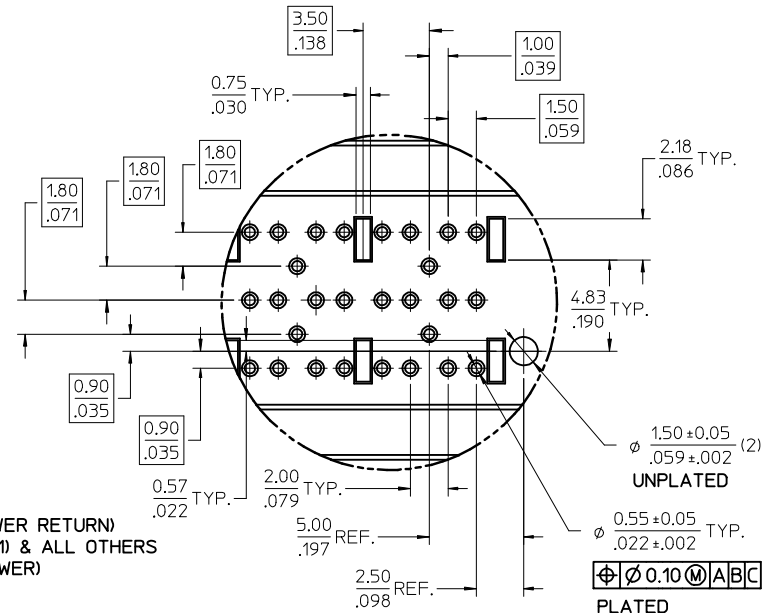
FINISH 3:

CONTACT INTERFACE
0.76 MICROMETERS MINIMUM SELECT GOLD
NICKEL UNDERPLATE OVERALL
COMPLIANT INTERFACE
0.76 MICROMETERS MINIMUM SELECT MATTE TIN
NICKEL UNDERPLATE OVERALL
HOUSING
3.81 MICROMETERS MINIMUM NICKEL OVER
COPPER UNDERPLATE OVERALL

SEE SHEET 1 EC NO: UCP2013-1884 DRWN:TIBARRA 2012/11/12 CHKD: APPR:SMILLER 2013/01/04	QUALITY SYMBOLS	GENERAL TOLERANCES (UNLESS SPECIFIED)	DIMENSION STYLE MM ONLY	SCALE 1:1	DESIGN UNITS METRIC	THIRD ANGLE PROJECTION
	▽=0	mm INCH	DRAWN BY DATE MIBARRA 2009/05/20	TITLE HIGH SPEED DOCKING VERTICAL FIXED CONNECTOR NO GROUND FINGER		
	▽=0	4 PLACES ± --- ± ---	CHECKED BY DATE SDANNELLEY 2009/05/20	 DOCUMENT NO. SD-75140-005 SHEET NO. 2 OF 3		
	▽=0	3 PLACES ± --- ±.005	APPROVED BY DATE SMILLER 2009/05/20			
		2 PLACES ±0.13 ±.010	MATERIAL NO.			
		1 PLACE ±0.25 ± ---	DRAFT WHERE APPLICABLE MUST REMAIN WITHIN DIMENSIONS			
		0 PLACE ± --- ± ---	SIZE C THIS DRAWING CONTAINS INFORMATION THAT IS PROPRIETARY TO MOLEX INCORPORATED AND SHOULD NOT BE USED WITHOUT WRITTEN PERMISSION			



NO EXPOSED TRACES ON SURFACE OF PCB IN CONNECTOR STAND OFF LOCATIONS
 CONNECTOR KEEP OUT AREA
 APPLICATION TOOLING KEEP OUT AREAS (NOTES 10 & 11)



DETAIL X
 SCALE 5:1

CIRCUIT DESIGNATION

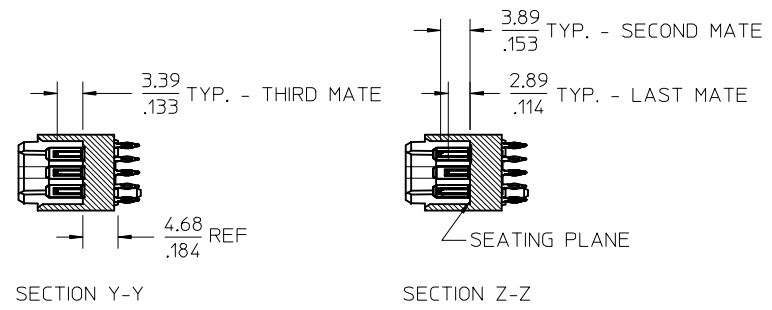
FIRST MATE: SIGNAL GROUND
 SECOND MATE: A1, C1, A(N) & C(N) (FOR POWER RETURN)
 THIRD MATE: A2, B2, C2, A(N-1), B(N-1), C(N-1) & ALL OTHERS (A2, C2, A(N-1), & C(N-1) FOR POWER) (ALL OTHERS FOR SIGNAL)
 LAST MATE: B1 & B(N) (FOR CARD DETECT)

ALL COLUMNS FROM 3 THROUGH (N-2) ARE SUITABLE FOR DIFFERENTIAL PAIRS
 EG: A3-A4, B3-B4, C3-C4, A(N-2)-A(N-3), B(N-2)-B(N-3)

SIGNAL GROUND: ROWS D & E

NOMINAL WIPE - FULLY MATED

FIRST MATE: 5.2mm
 SECOND MATE: 2.7mm
 THIRD MATE: 2.2mm
 LAST MATE: 1.7mm



SEE SHEET 1 EC NO: UCP2013-1884 DRWING: IBARRA 2012/11/12 CHKD: MILLER APPR: MILLER 2013/01/04 REV: D	QUALITY SYMBOLS	GENERAL TOLERANCES (UNLESS SPECIFIED)	DIMENSION STYLE MM ONLY	SCALE 2:1	DESIGN UNITS METRIC	THIRD ANGLE PROJECTION
	▽=0	mm INCH	DRAWN BY DATE MIBARRA 2009/05/20	TITLE HIGH SPEED DOCKING VERTICAL FIXED CONNECTOR NO GROUND FINGER		SHEET NO. 3 OF 3
	▽=0	4 PLACES ± --- ± ---	CHECKED BY DATE SDANNELLEY 2009/05/20	molex DOCUMENT NO. SD-75140-005		
	▽=0	3 PLACES ± --- ±.005	APPROVED BY DATE SMILLER 2009/05/20			
		2 PLACES ±0.13 ±.010	MATERIAL NO.			
	1 PLACE ±0.25 ± ---	SIZE C				
	0 PLACE ± --- ± ---	ANGULAR ±1/2°	DRAFT WHERE APPLICABLE MUST REMAIN WITHIN DIMENSIONS		THIS DRAWING CONTAINS INFORMATION THAT IS PROPRIETARY TO MOLEX INCORPORATED AND SHOULD NOT BE USED WITHOUT WRITTEN PERMISSION	