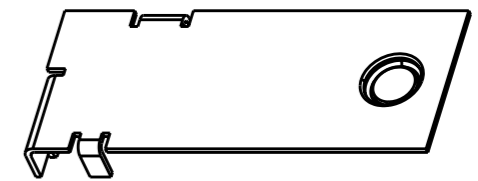
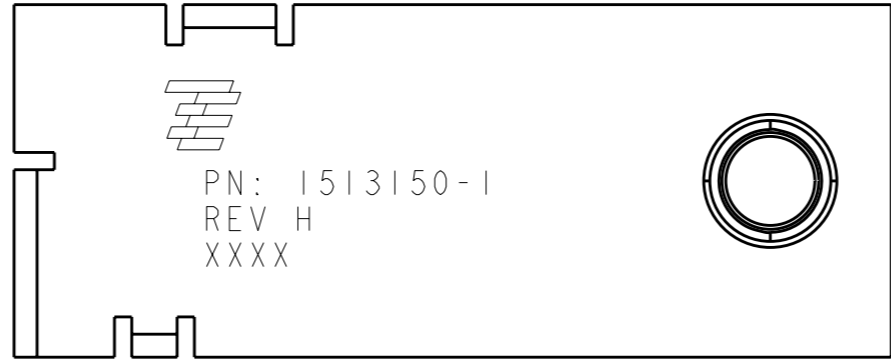


THIS DRAWING IS UNPUBLISHED. RELEASED FOR PUBLICATION 20  
 © COPYRIGHT 20 BY - ALL RIGHTS RESERVED.

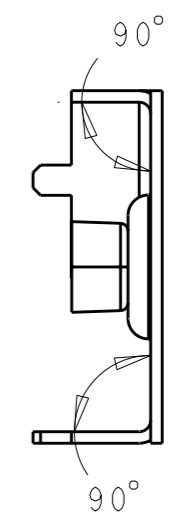
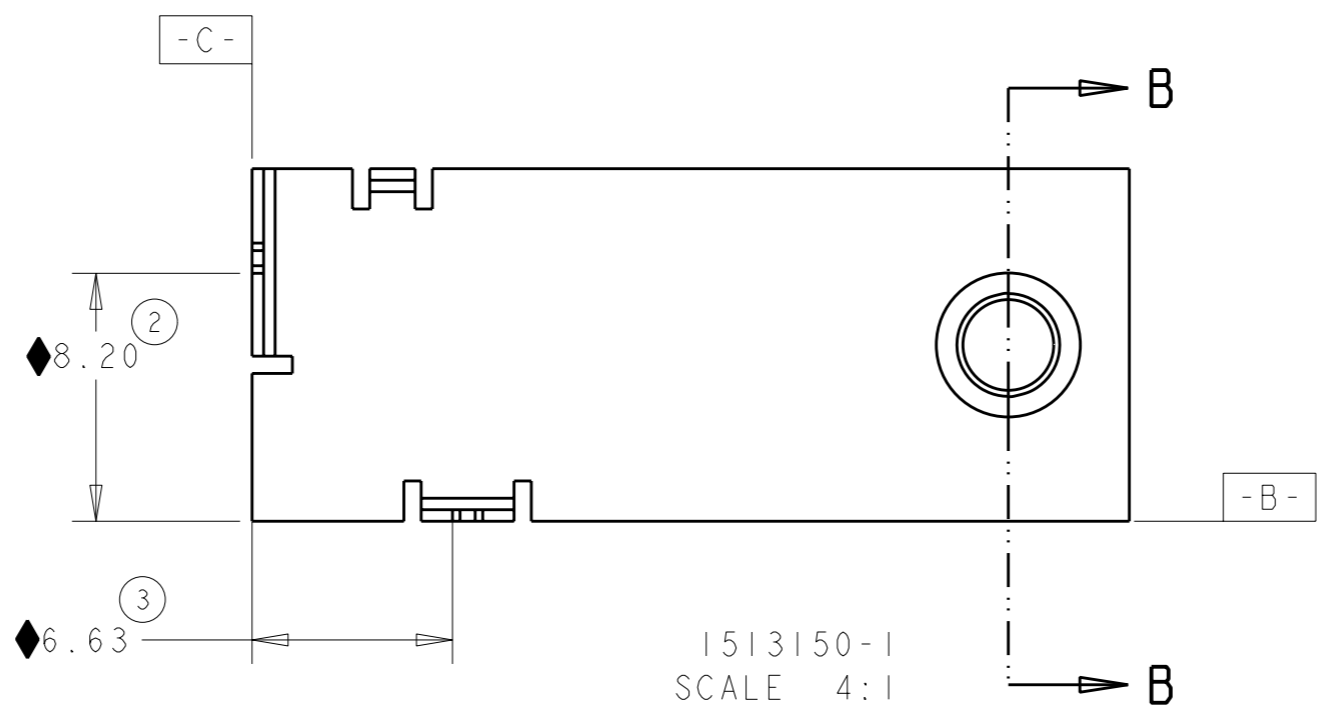
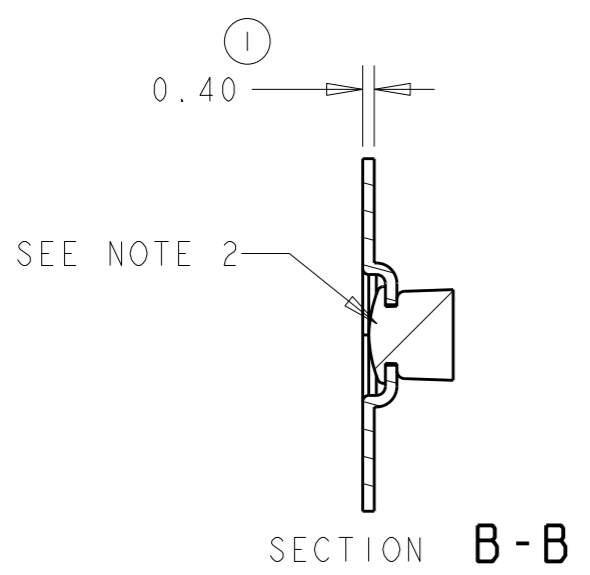
LOC	DIST	REVISIONS			
P	LTR	DESCRIPTION	DATE	DWN	APVD
HQ	00	H	REV PER ECO 12-002787	10FEB2012	DW GG

NOTES: UNLESS OTHERWISE SPECIFIED.

- PART ARE RoHS COMPLIANT PER TE CONNECTIVITY STANDARD TEC-138-702
- PART WILL BE IDENTIFIED WITH TE LOGO, REV, PART NUMBER AND 4 DIGIT DATE CODE. WITH THE 1st TWO DIGITS FOR THE YEAR AND THE 2nd TWO DIGITS FOR THE WEEK.
- CONSULT TE CONNECTIVITY DATA SHEET DS1513150



FINISHED PRODUCT  
P/N 1513150-1



1513150-1  
SCALE 4:1

THIS DRAWING IS A CONTROLLED DOCUMENT.		DWN D.J.L.	28APR2003	TE Connectivity	
DIMENSIONS: mm		CHK -	-		
		TOLERANCES UNLESS OTHERWISE SPECIFIED:		NAME Bluetooth 802.11b Antenna Assembly Fabrication Drawing	
		0 PLC ±.25	1 PLC ±.10	2 PLC ±.05	3 PLC ±.025
MATERIAL -	FINISH -	APVD -	PRODUCT SPEC -	APPLICATION SPEC -	RESTRICTED TO -
		WEIGHT -	SIZE A3	CAGE CODE 00779	DRAWING NO C-1513150
		CUSTOMER DRAWING	SCALE 2:1	SHEET 1	OF 1
				REV H	