

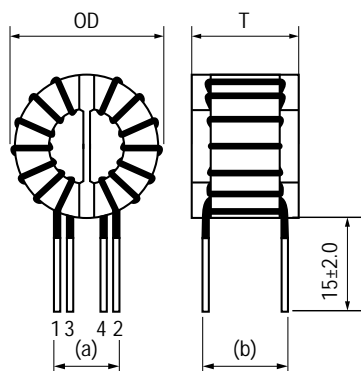
---

## Benefits

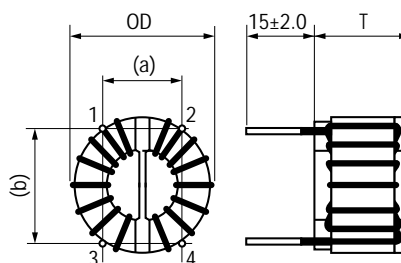
- Inductances up to 100  $\mu$ H
- Rated Currents up to 20 A

## Dimensions – Millimeters

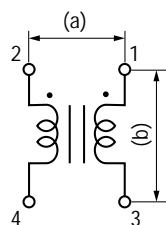
### Vertical Type ( $\leq 5$ A)



### Horizontal Type ( $\geq 8$ A)



### Mounting Pitch



## Environmental Compliance

All KEMET AC Line Filters are RoHS Compliant.



RoHS Compliant

## Table 1 – Ratings & Part Number Reference

Part Number	Rated Current AC (A)	Inductance ( $\mu$ H) Minimum	DC Resistance/Line ( $m\Omega$ ) Maximum	Temperature Rise (K) Maximum	Finished Dimensions (mm)		Pin Pitch <sup>1</sup> (reference)		Wire Diameter (mm)	Weight (g) Approximate
					OD (Maximum)	T (Maximum)	a	b		
SC-02-D100	2	100	70	40	23	13	10	13	0.5	7
SC-03-D050	3	50	40	40	23	13	10	13	0.5	8
SC-04-D050	4	50	25	40	25	19	10	19	0.7	14
SC-05-D030	5	30	20	40	25	19	10	19	0.8	14
SC-08-D060	8	60	30	45	34	23	22	21	1.0	30
SC-10-D050	10	50	16	45	34	23	22	21	1.2	34
SC-15-D030	15	30	12	50	34	23	22	21	1.4	34
SC-20-D010	20	10	8	50	34	23	22	21	1.7	33

<sup>1</sup> Pin pitch listed above for reference only. Values not guaranteed.



## KEMET Electronic Corporation Sales Offices

\* S V E G S Q T P I X I P M W X S J S Y V K P S F E P W E P I W S J G I W T P I E W I Z M W M X

### Disclaimer

% P P T V S H Y G X W T I G M G E X M S R W W X E X I Q I R X W M R J S V Q E X M S R E R H H E X E G S P P I G X M Z I P ] X L I p  
checking and verifying the extent to which the Information contained in this publication is applicable to an order at the time the order is placed.

All Information given herein is believed to be accurate and reliable, but it is presented without guarantee, warranty, or responsibility of any kind, expressed or in

7 X E X I Q I R X W S J W Y M X E F M P M X ] J S V G I V X E M R E T T P M G E X M S R W E V I F E W I H S R / ) 1 ) 8 ) P I G X V S R M G W  
E T T P M G E X M S R W F Y X E V I R S X M R X I R H I H X S G S R W X M X Y X I i E R H / ) 1 ) 8 W T I G M G E P P ] H M W G P E M G

The Information is intended for use only by customers who have the requisite experience and capability to determine the correct products for their application. A  
technical advice inferred from this Information or otherwise provided by KEMET with reference to the use of KEMET's products is given gratis, and KEMET ass  
obligation or liability for the advice given or results obtained.

Although KEMET designs and manufactures its products to the most stringent quality and safety standards, given the current state of the art, isolated compone  
failures may still occur. Accordingly, customer applications which require a high degree of reliability or safety should employ suitable designs or other safeguar

W Y G L E W M R W X E P P E X M S R S J T V S X I G X M Z I G M V G Y M X V ] S V V I H Y R H E R G M I W M R S V H I V X S I R W Y V  
property damage.

% P X L S Y K L E P P T V S H Y G X i V I P E X I H [ E V R M R K W G E Y X M S R W E R H R S X I W Q Y W X F I S F W I V Z I H X L I G Y  
measures may not be required.