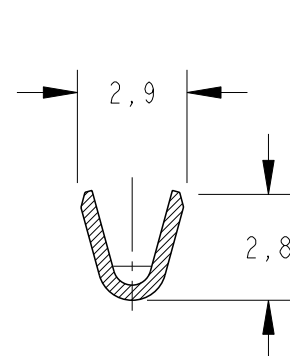
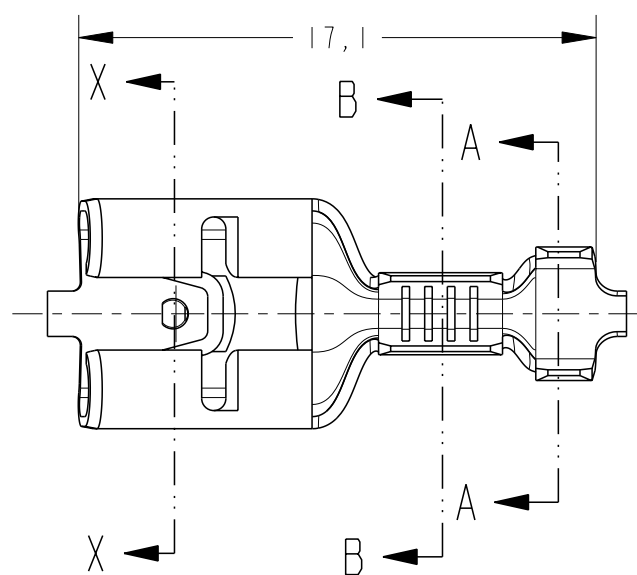


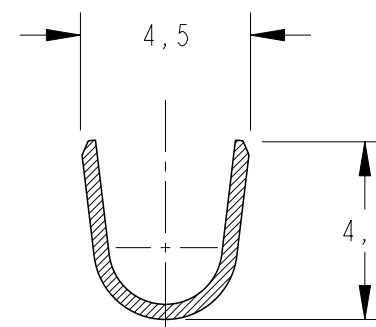
LOC AP DIST -

REVISIONS

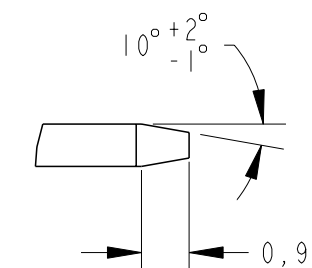
P	LTR	DESCRIPTION	DATE	DWN	APVD
C2		REDRAW BY CAD ECO-12-014149	27AUG2012	NCL	DAO



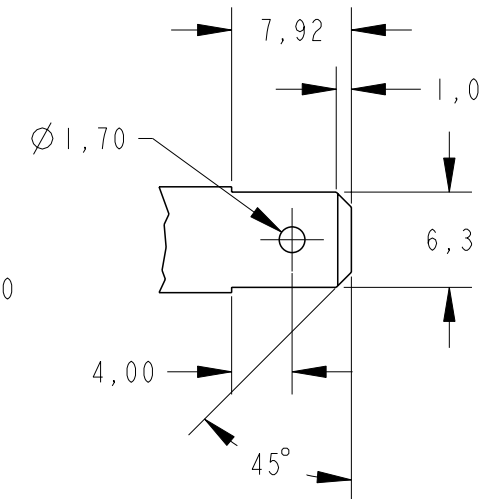
SECTION B-B SCALE 5:1



SECTION A-A SCALE 5:1

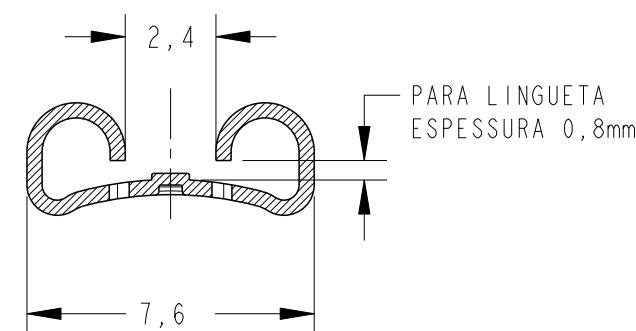
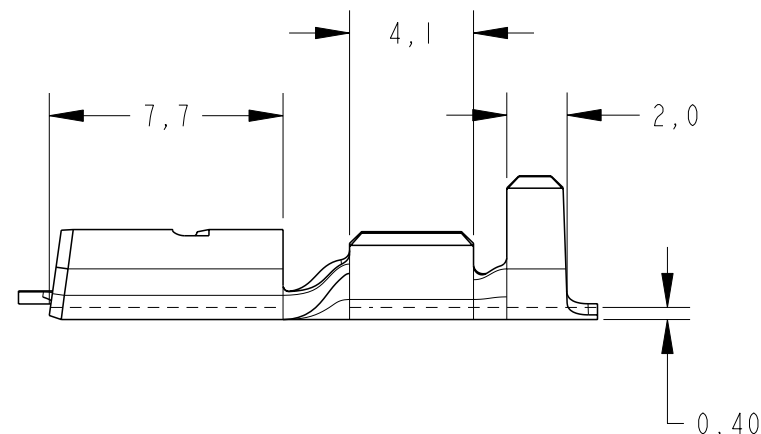
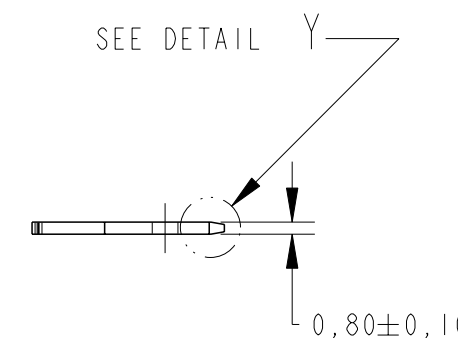


DETAIL Y SCALE 7:1



SEE DETAIL Y

TEST TAB BR-6-058-1 MATERIAL: AÇO RÁPIDO



SECTION X-X SCALE 5:1

INS. RANGE	WIRE RANGE	FINISH	MATERIAL	PART NUMBER
Ø 2,3-3,3mm	0,3-0,8mm <sup>2</sup>	ESTANHADO / TIN PLATED	LATÃO / BRASS	444334 -4
		—	LATÃO / BRASS	444334 -3
		ESTANHADO / TIN PLATED	LATÃO / BRASS	444334 -2
		—	LATÃO / BRASS	444334 -1

PART NUMBER	1º INSERÇÃO MÁX. (N)	1º EXTRAÇÃO MÍN. (N)	10º EXTRAÇÃO MÍN. (N)
444334 -1	40	50	20
444334 -2	40	50	20
444334 -3	40	70	20
444334 -4	40	70	20

THIS DRAWING IS A CONTROLLED DOCUMENT.

DIMENSIONS: mm

TOLERANCES UNLESS OTHERWISE SPECIFIED:

0 PLC	±0,3
1 PLC	±0,3
2 PLC	±0,3
3 PLC	±0,3
4 PLC	±0,3
ANGLES	±1°
FINISH	SEE TABLE

MATERIAL SEE TABLE

THIS DRAWING IS A CONTROLLED DOCUMENT.

DWN NCLAPRESA 12 JUL 2012

CHK JRGOLDSCHMIDT 12 JUL 2012

APVD DAOLIVEIRA 12 JUL 2012

PRODUCT SPEC -

APPLICATION SPEC -

WEIGHT -

CUSTOMER DRAWING

NAME -

SIZE A3 CAGE CODE 00779 DRAWING NO ©-444334 RESTRICTED TO -

SCALE - SHEET 1 OF 1 REV C2

**STE** TE Connectivity

TERMINAL FASTON 6,35 RECEPT