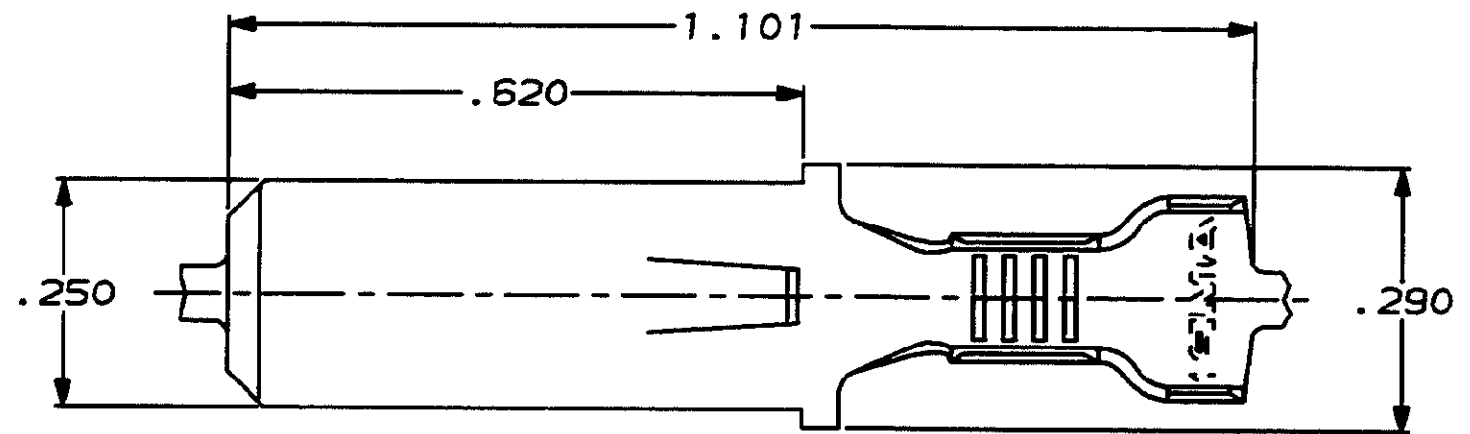
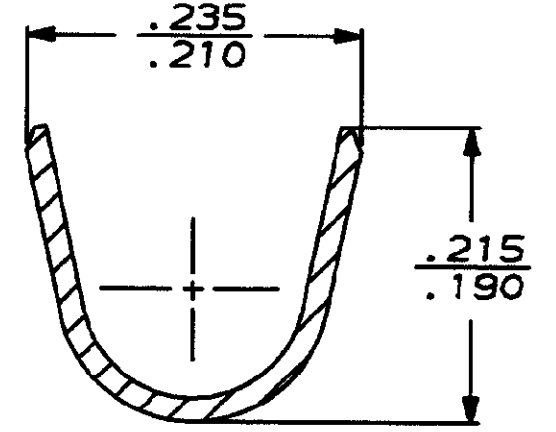
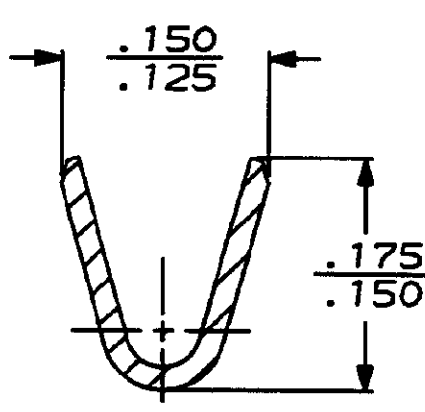
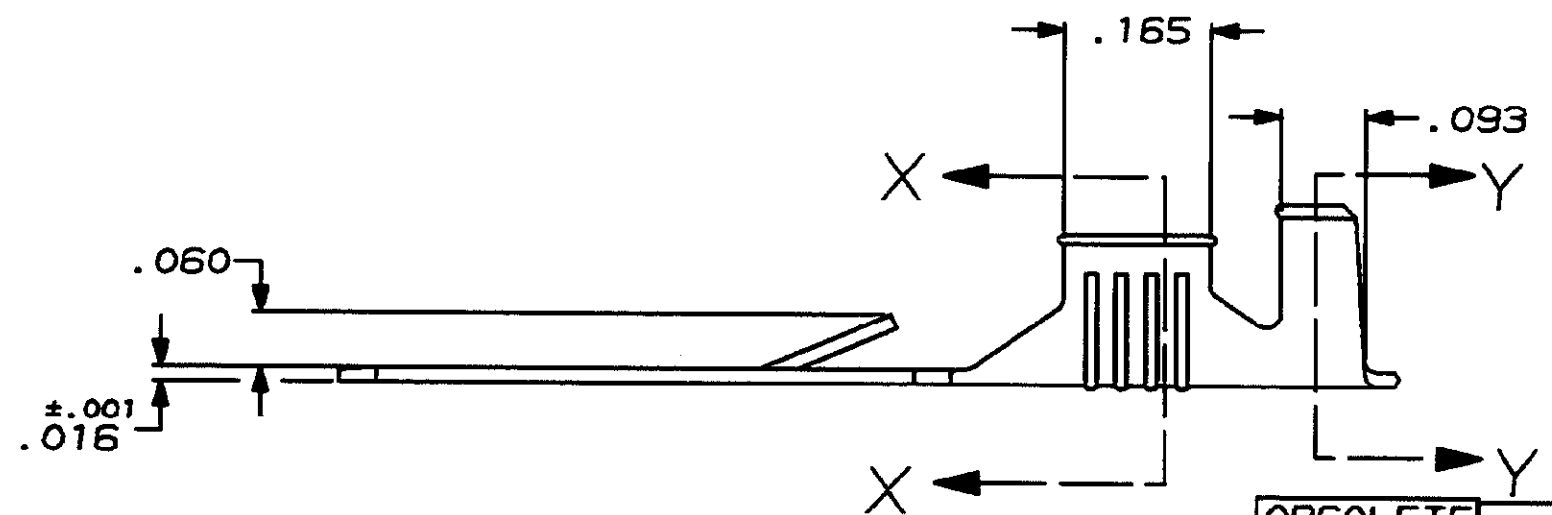


THIS DRAWING IS UNPUBLISHED. RELEASED FOR PUBLICATION ,19
 © COPYRIGHT 19 BY AMP INCORPORATED. ALL INTERNATIONAL RIGHTS RESERVED.

LOC	DIST	P	F	REVISIONS				
				ZONE	LTR	DESCRIPTION	DATE	APPD
AF	50				Z	REACTIVATE -2 AF-8141	9/30/92	JR/RB



1 FOREIGN PRODUCTION ONLY.
AMP ARGENTINA
 2 CONTINUOUS STRIP ON REELS.



OBSOLETE	PRE-TIN	.120-.145	18-14	42099-4
OBSOLETE	SILVER	.120-.145	18-14	42099-3
OBSOLETE	TIN .000080 MIN	.120-.145	18-14	42099-2
OBSOLETE		.120-.145	18-14	42099-1

FINISH	INSUL RANGE	WIRE SIZE	PART NO
DO NOT SCALE PRINT. UNLESS SPECIFIED DIMENSIONS IN INCHES TOLERANCES ON: 2 PLC DEC * - 3 PLC DEC * .010 ANGLES * -	DR 12/17/80 JR BUSH CHK 12/17/80 MS FEMER	AMP AMP Incorporated Harrisburg, PA 17105-3608	
MATERIAL #2H BRASS	APPD 12/17/80 J GILLESPIE APPD 12/17/80 D BEMER	NAME TAB, FASTIN-FASTON™ .250 SERIES	
FINISH SEE TABLE	APPLICATION SPEC -	SIZE B	CAGE CODE 00779
	WEIGHT -	SCALE 5:1	DRAWING NO 42099
			SHEET 1 OF 1

METRIC