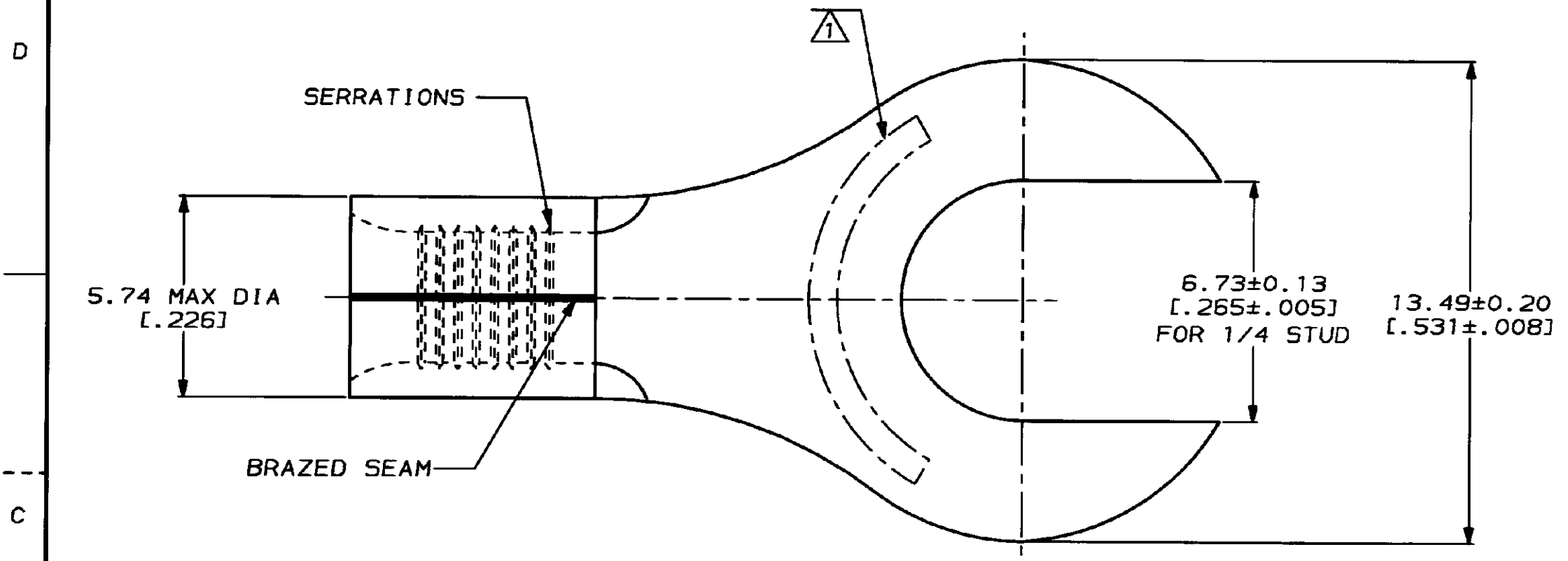


4 3 2 1
 DRAWING MADE IN THIRD ANGLE PROJECTION
 THIS DRAWING IS UNPUBLISHED. RELEASED FOR PUBLICATION .19
 © COPYRIGHT 19 BY AMP INCORPORATED. ALL INTERNATIONAL RIGHTS RESERVED.

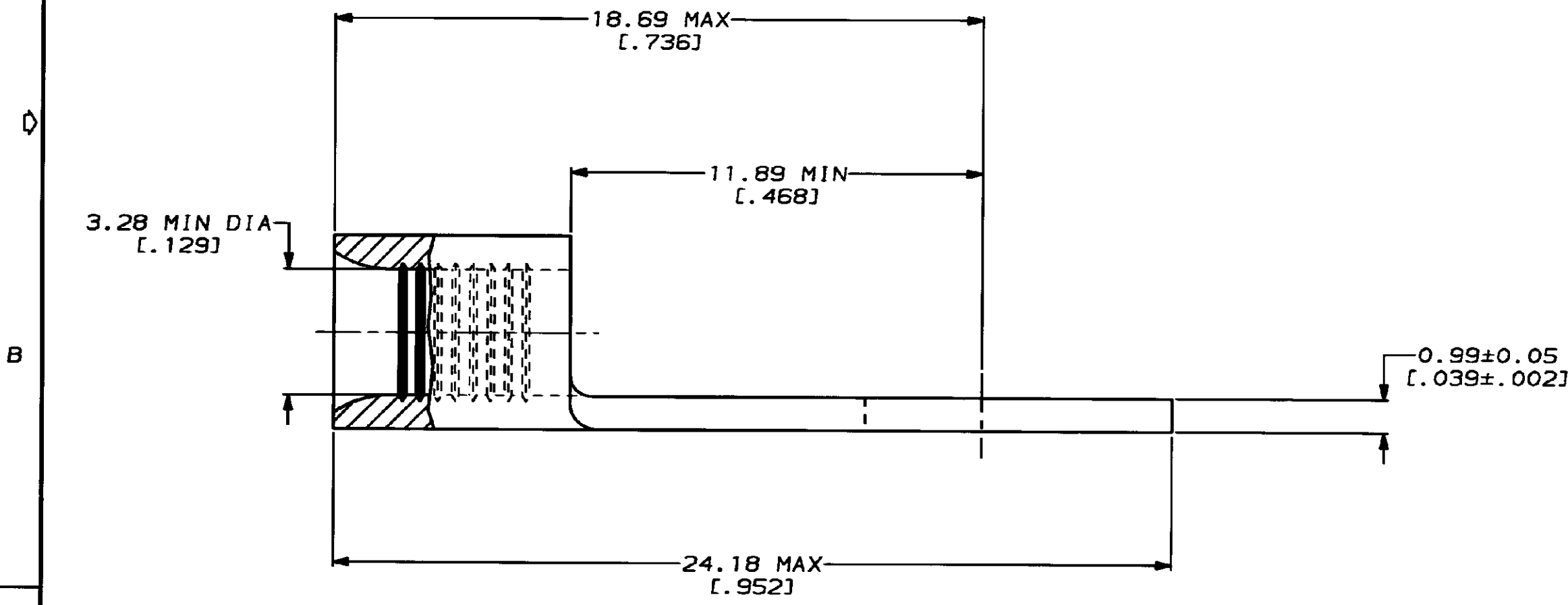
LOC	DIST	ZONE	LTR	DESCRIPTION	DATE	APPD
G	14			REV, RDRW, & SM PKG PER 0720-0040-93	4-8-93	1 st DAP

METRIC
 DIMENSIONS LISTED IN mm [INCHES]



AMP WIRE RANGE	E13288 Listed
12-10 AWG SOLID OR STRANDED	12-10 AWG STRANDED
LR7189 Certified	MILITARY P/N AND CLASS
12-10 AWG SOLID OR STRANDED	NOT APPLICABLE

△ STAMP AMP 12-10* APPROX AS SHOWN



25	LOOSE PIECE, BAG	8-35680-5
----	LOOSE PIECE	35680
QUANTITY	PACKAGE TYPE	PART NO

AMP INCORPORATED CUSTOMER SERVICE SYSTEMS		MAX RECOMMENDED OPERATING TEMPERATURE: 170°C MAX	DO NOT SCALE PRINT. UNLESS SPECIFIED DIMENSIONS IN mm [INCHES]— TOLERANCES ON: 2 PLC DEC ± - 3 PLC DEC ± - ANGLES ± -	DR 4-8-93 TA BRINKMAN CHK 4-8-93 DA PATTERSON APPD 4-8-93 DE MILLER APPD 4-8-93 JL MECKLEY PRODUCT SPEC -	AMP AMP Incorporated Harrisburg, PA 17105-3608
FOR ADDITIONAL PRODUCT INFORMATION OR COPIES OF DRAWINGS AND TECHNICAL DOCUMENTS	PRODUCT INFORMATION CENTER 1-800-522-6752	VOLTAGE RATING: NOT APPLICABLE	MATERIAL COPPER PER ASTM B-152 ANNEALED	NAME	TERMINAL, SLOTTED RING TONGUE, SOLISTRAND™
FOR APPLICATION TOOLING INFORMATION	TOOLING ASSISTANCE CENTER 1-800-722-1111	WIRE CROSS SECTIONAL AREA RANGE: 2.62-6.64mm² [5,180-13,100] CIR MILS SOLID OR STRANDED	FINISH TIN PLATE 0.00254 [0.000100] MIN THK PER MIL-T-10727	APPLICATION SPEC -	
FOR ORDER ENTRY	1-800-526-5142	THIS DRAWING IS A CONTROLLED DOCUMENT FOR AMP INCORPORATED. IT IS SUBJECT TO CHANGE AND THE CONTROLLING ENGINEERING ORGANIZATION SHOULD BE CONTACTED FOR THE LATEST REVISION.	SIZE C 00779 SCALE 8:1	DRAWING NO C-35680 SHEET 1 OF 1	