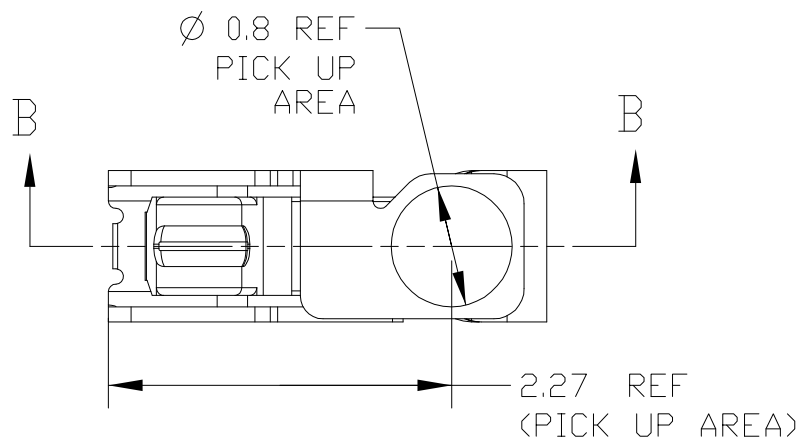
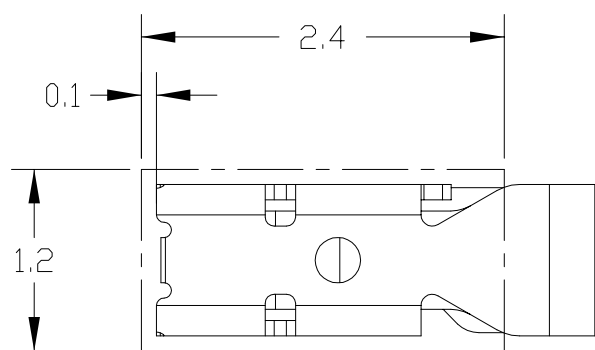
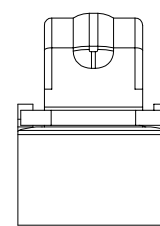
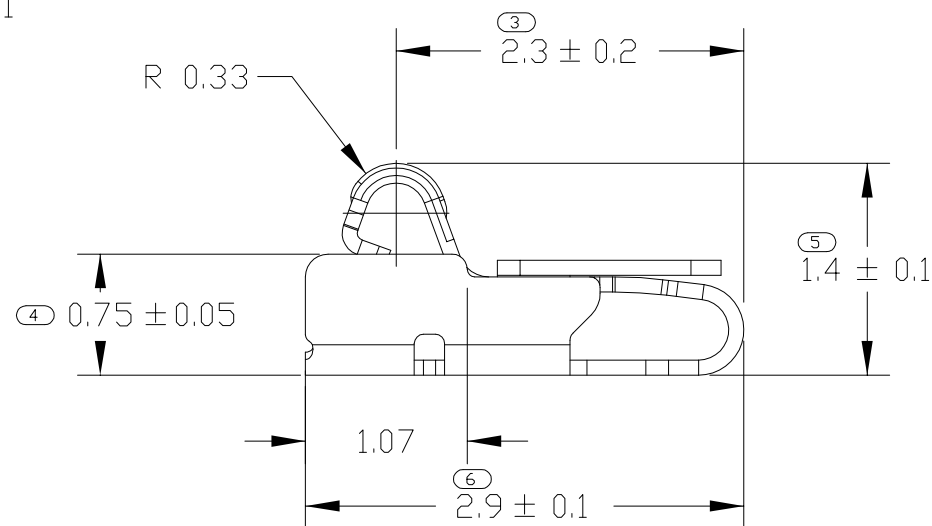
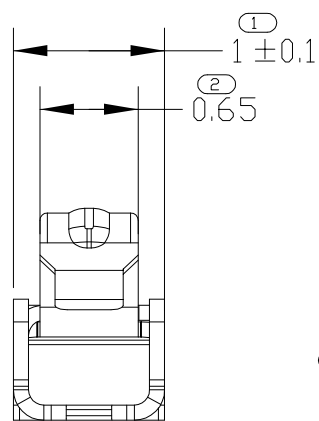
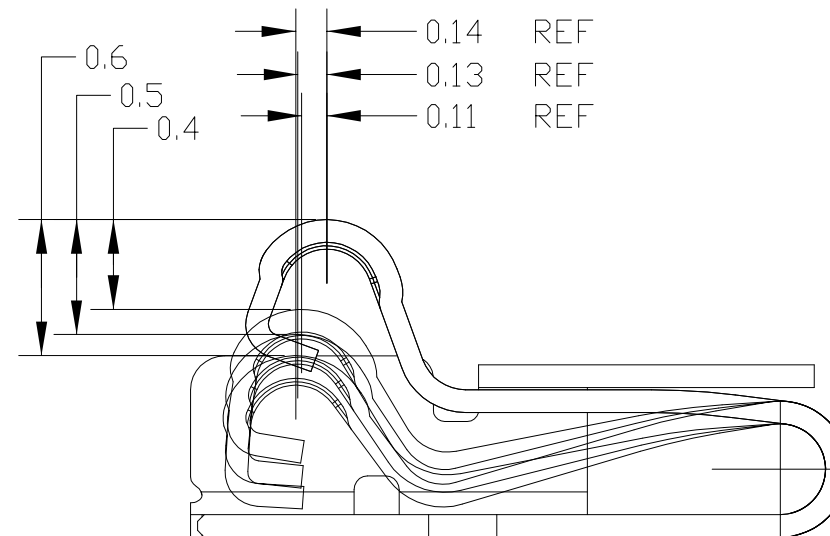


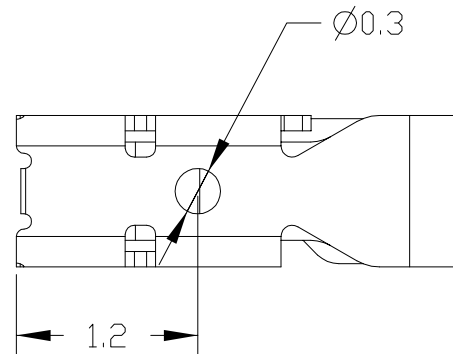
LOC	DIST	REVISIONS					
		P	LTR	DESCRIPTION	DATE	DWN	APVD
-	-		B	REVISED	05JUNE2013	IC.K	JH.K
			C	REVISED	10JUNE2013	IC.K	JH.K
			C1	REVISED	25FEB2014	IC.K	JH.K
			C2	REVISED	05FEB2015	IC.K	JH.K



AS SHOWN
 (1) 2108610-5/6
 (2) 2-2108610-6



RECOMENDED PCB LAYOUT (REFERENCE)



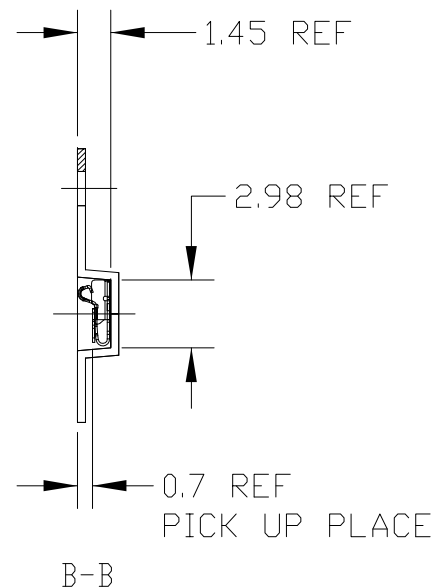
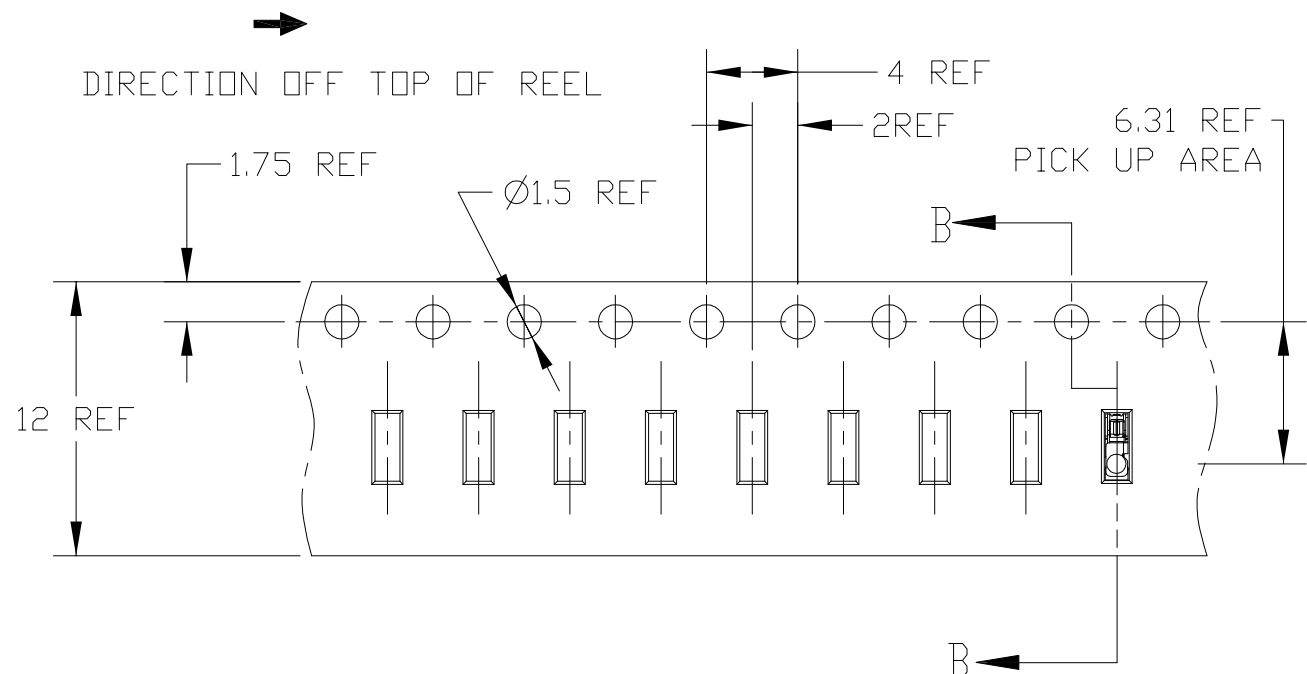
- 1 MATERIAL: COPPER ALLOY, THK.=0.1mm
- 2 FINISH: NI UNDER PLATING ALL OVER 0.8~3.0um.
CONTACT PLATING: Au 0.1~0.4um
SOLDER PLATING: Au FLASH 0.05~0.35um
- 3 CUTTING BURR: 0.05mm MAX.
- (1) 4 F/G SHOULD BE SEPARATED BASED ON THE CUSTOMER'S PART NUMBER AS BELOW TABLE

NO	PART NUMBER	CUSTOMER PART NUMBER	PRODUCT SPEC
1	2108610-5	MBV62562001	108-61185
2	2108610-6	EAG63652301	108-61250
(2) 3	2-2108610-6	-	108-61250

THIS DRAWING IS A CONTROLLED DOCUMENT.		DWN JH GONG 08FEB2013														
DIMENSIONS: mm		CHK JH KIM 08FEB2013														
TOLERANCES UNLESS OTHERWISE SPECIFIED: ±0.15		APVD JH KIM 08FEB2013														
<table border="1"> <tr><td>0-PLC</td><td>±</td></tr> <tr><td>1-PLC</td><td>±0.5</td></tr> <tr><td>2-PLC</td><td>±0.13</td></tr> <tr><td>3-PLC</td><td>±0.013</td></tr> <tr><td>4-PLC</td><td>±0.0001</td></tr> <tr><td>ANGLES</td><td>±</td></tr> </table>		0-PLC	±	1-PLC	±0.5	2-PLC	±0.13	3-PLC	±0.013	4-PLC	±0.0001	ANGLES	±	NAME	SPRING FINGER 1.4H	
0-PLC	±															
1-PLC	±0.5															
2-PLC	±0.13															
3-PLC	±0.013															
4-PLC	±0.0001															
ANGLES	±															
MATERIAL		PRODUCT SPEC SEE TABLE 4	SIZE	RESTRICTED TO												
FINISH		APPLICATION SPEC	CAGE CODE													
<table border="1"> <tr><td>1</td></tr> <tr><td>2</td></tr> </table>		1	2	WEIGHT	DRAWING NO											
1																
2																
		CUSTOMER DRAWING	A300779													
		SCALE	DRAWING NO													
		20:1	C=C_2108610													
		SHEET	REV													
		1	C2													

P	LTR	DESCRIPTION	DATE	DWN	APVD
		SEE SHEET 1			

①④ <2108610-5 : MBV62562001>

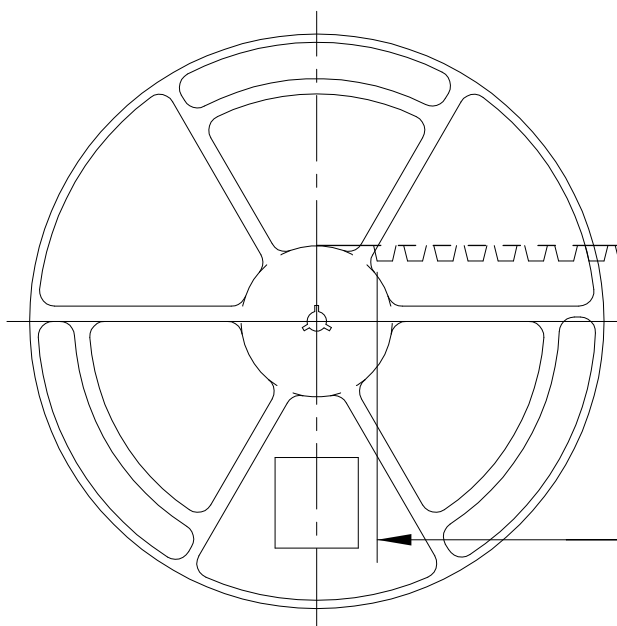
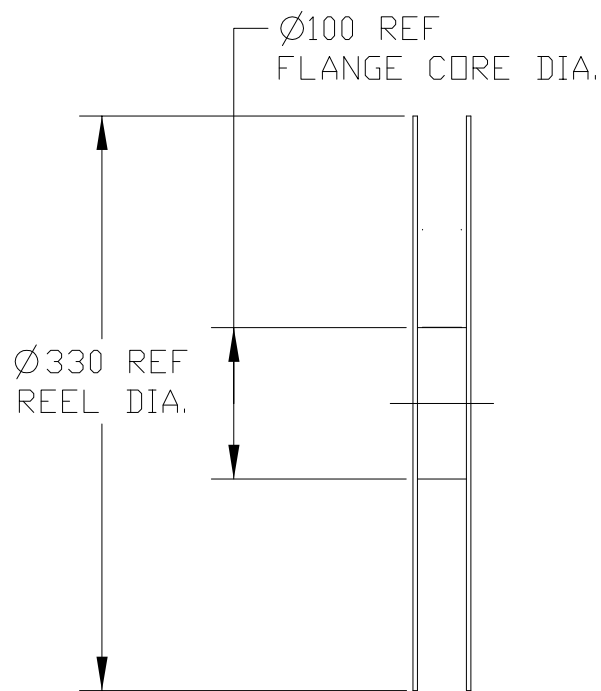


①

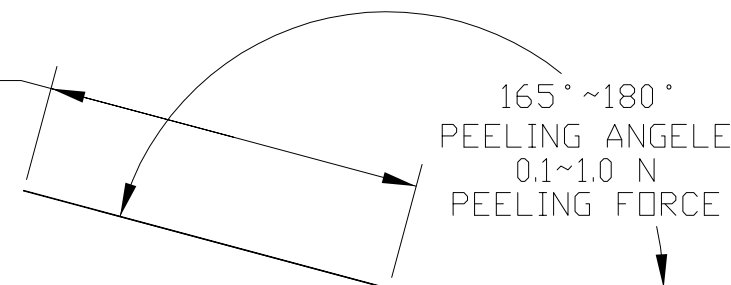
MBV62562001-YYYYMMDD-*****-HK000120
 SPEC: 1.4H SPRING FINGER WITH EMBOSS
 Company Name: TE CONNECTIVITY
 Tyco Part Number :2108610-5

RoHS H/F

- 1. LG PART NO.
- 2. FINAL INSPECTION(YYYMMDD)
- 3. VENDOR PRODUCTION LOT NO.
- 4. VENDOR CODE



WEEDING THE COVER TAPE, AROUND THE OUTER PERIPHERY IN A TURN.



WITH PRODUCT CHARGE 9000EA/1REEL

WITHOUT CHARGE 400mm REF.

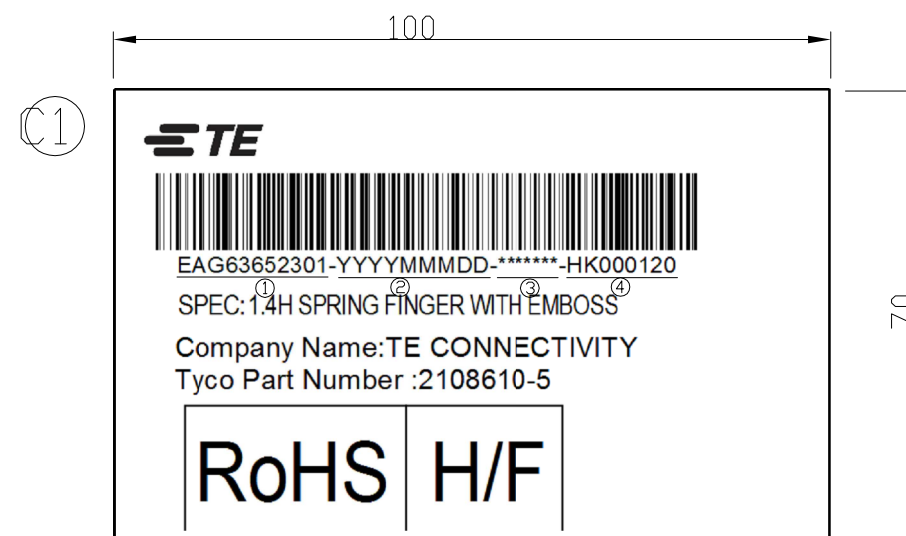
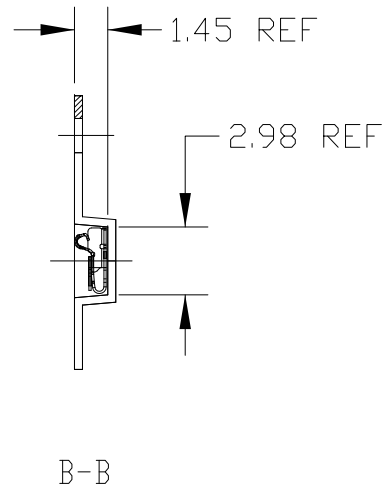
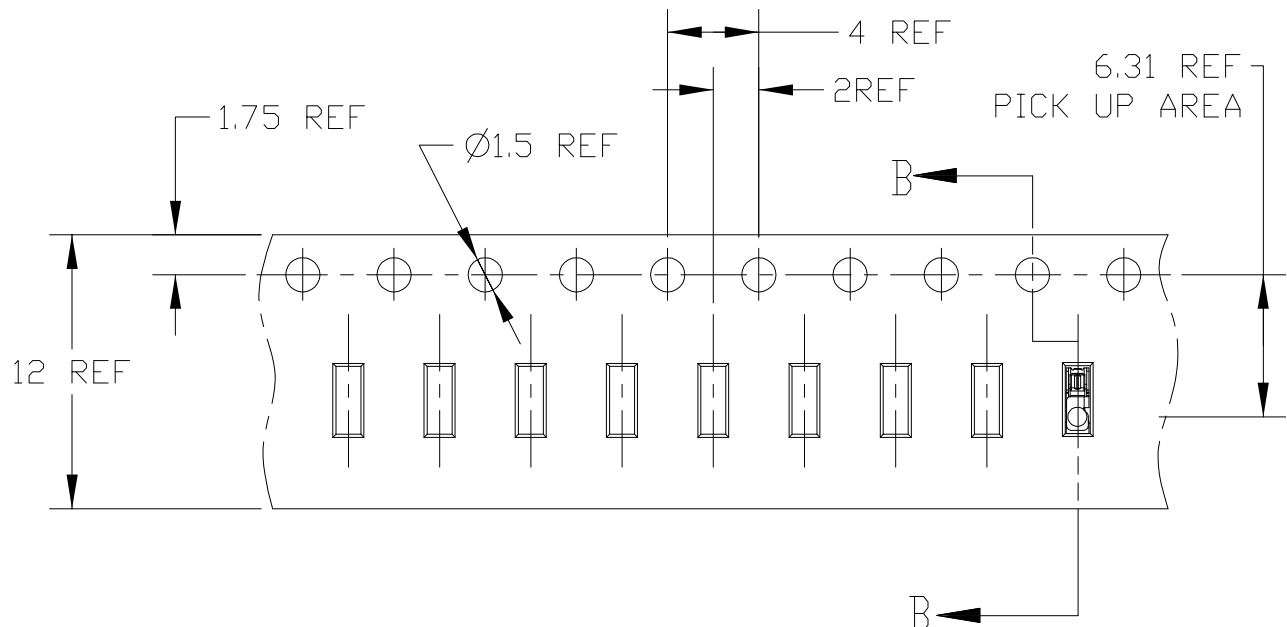
160mm REF WITHOUT CHARGE

THIS DRAWING IS A CONTROLLED DOCUMENT.		DWN JH GONG 08FEB2013	TE Connectivity	
DIMENSIONS: mm		CHK JH KIM 08FEB2013		
TOLERANCES UNLESS OTHERWISE SPECIFIED:		APVD JH KIM 08FEB2013	NAME	
0 PLC ±	1 PLC ±0.5	PRODUCT SPEC	SPRING FINGER 1.4H	
2 PLC ±0.13	3 PLC ±0.013	108-XXXXX	SIZE	CAGE CODE
4 PLC ±0.0001	ANGLES ±	APPLICATION SPEC	A3	00779
MATERIAL -	FINISH -	WEIGHT -	DRAWING NO C=C_2108610	
CUSTOMER DRAWING			RESTRICTED TO	
SCALE 20:1			SHEET 2 OF 3	REV C2

P	LTR	DESCRIPTION	DATE	DWN	APVD
		SEE SHEET 1			

①④ <2108610-6 : EAG63652301>

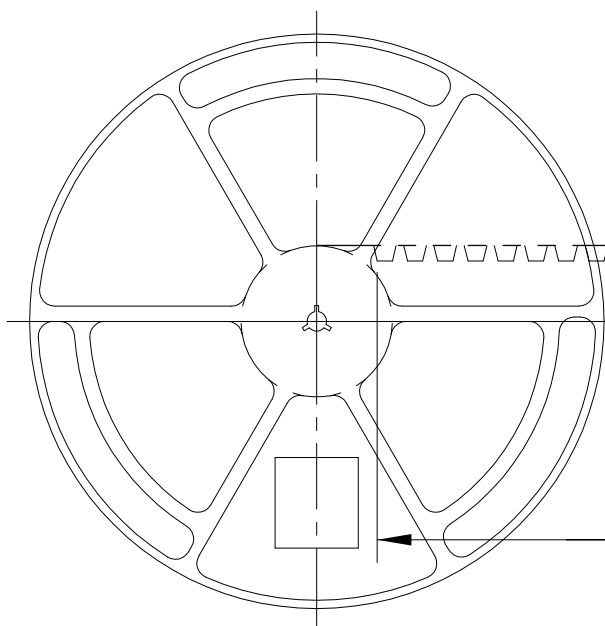
DIRECTION OFF TOP OF REEL



- 1. LG PART NO.
- 2. FINAL INSPECTION(YYYMMDD)
- 3. VENDOR PRODUCTION LOT NO.
- 4. VENDOR CODE

Ø100 REF FLANGE CORE DIA.

Ø330 REF REEL DIA.



WEEDING THE COVER TAPE, AROUND THE OUTER PERIPHERY IN A TURN.

165°~180° PEELING ANGLE, 0.1~1.0 N PEELING FORCE

WITH PRODUCT CHARGE 9000EA/1REEL

WITHOUT CHARGE 400mm REF.

160mm REF WITHOUT CHARGE

13.4 REF, 19.4 REF REEL WIDTH

THIS DRAWING IS A CONTROLLED DOCUMENT.		DWN JH GONG 08FEB2013	TE Connectivity NAME: SPRING FINGER 1.4H			
DIMENSIONS: mm		CHK JH KIM 08FEB2013			SIZE	CAGE CODE
TOLERANCES UNLESS OTHERWISE SPECIFIED:		APVD JH KIM 08FEB2013			DRAWING NO	RESTRICTED TO
0 PLC ± 1 PLC ±0.5 2 PLC ±0.13 3 PLC ±0.013 4 PLC ±0.0001 ANGLES ± FINISH -		PRODUCT SPEC 108-XXXXX			A3	00779
MATERIAL -		APPLICATION SPEC -	DRAWING NO C=C_2108610			
		WEIGHT -	SCALE 20:1			
		CUSTOMER DRAWING	SHEET 3 OF 3 REV C2			