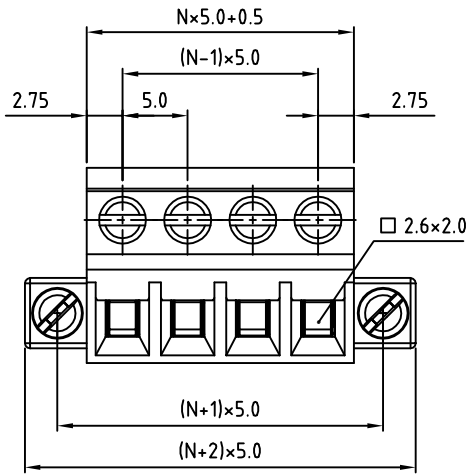
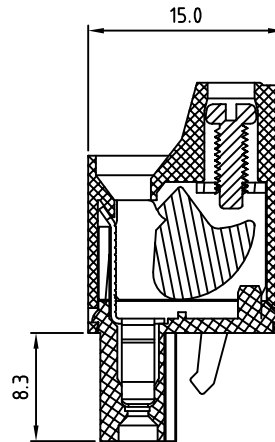
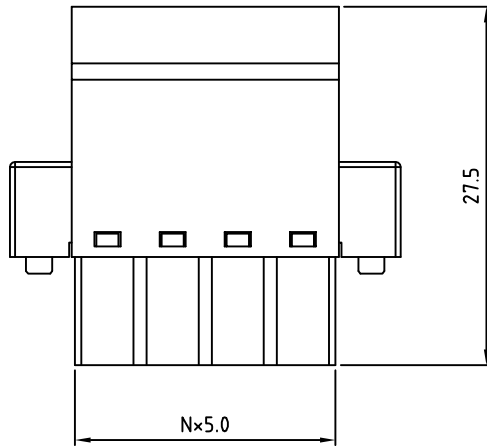


SIGN	DATE	DESCRIPTION	APPROVER

THIS IS CAD DRAWING, DO NOT REVISE MANUALLY!!!



N=Number of poles



Material:

- Terminal body
- (metal housing): Steel
- Terminal screw: Steel Zinc plating "-" slot type.
- Wire guard: PhBz(CuSn), Tin plated.
- Insulator(housing): Thermoplastic (UL94V-0)
- With flange screw: Steel Zinc plated, M2.5

Electrical:

- Voltage rating: 300V / 300V
- Current rating: 20A / 20A
- Wire range: 0.34-2.5mm²
- Solid wire(AWG): 12-22
- Stranded wire(AWG): 12-22
- Torque: 3.5 Lb-In / 0.4N.m
- Screw: M2.5
- Wire strip length: 6-7mm
- Withstanding Voltage: 1.6KV / 2.5KV
- Operating temperature: -30°C to +105°C
- Safety Approval:

RoHS Compliant

PART NUMBER:

OSTVMXX7552

- | | |
|--------------|---------------------|
| No. of Poles | COLOR |
| 02 2 Poles | 0: Black |
| 03 3 Poles | 5: Green (Standard) |
| | 6: Blue |
| 24 24 Poles | 8: Grey |



THESE DRAWINGS AND SPECIFICATIONS ARE THE PROPERTY OF ON-SHORE TECHNOLOGY, INC. AND SHALL NOT BE REPRODUCED, COPIED OR USED IN ANY MANNER WITHOUT THE PRIOR WRITTEN CONSENT OF ON-SHORE TECHNOLOGY, INC.

TITLE		OSTVM 5.0mm Series W/Flange			
PART NO.	OSTVMXX7552	DWG NO.	OSTVMXX7552.DWG		
APPROVED	CHECKED	DESIGNED	DRAWN	CUST NO.	Tolerance
Shi Jun 2006.10.25	Shi Jun 2006.10.25	Tony 2006.10.25	Tony 2006.10.25		X. ±0.50 X.X ±0.30 X.XX ±0.10 X° ±1°
					UNIT: mm
				SHEET: 01/01	SCALE: NONE
				REV: D	