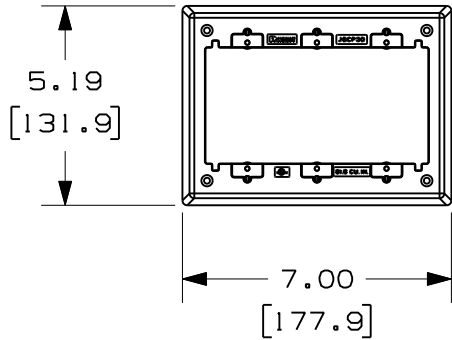
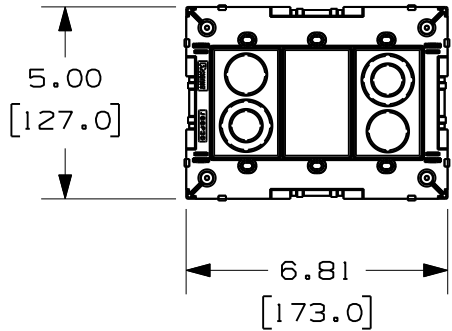
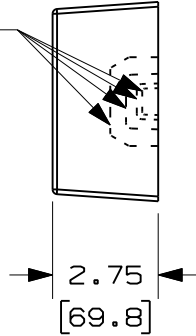


THIS COPY IS PROVIDED ON A RESTRICTED BASIS AND IS NOT TO BE USED IN ANY WAY DETRIMENTAL TO THE INTERESTS OF PANDUIT CORP.

PANDUIT PART NUMBER	WEIGHT	VOLUME CU. IN./CC
JBP3D	$\triangle A$ 0.57 LB/PC 257.5 g/PC	81.6 (1337)

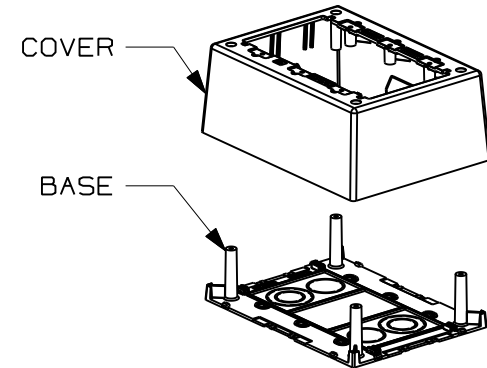


BREAKOUTS
SEE NOTE 3



NOTES:

1. SEE CURRENT CATALOG FOR ADDITIONAL PART SUFFIXES TO INDICATE COLOR AND OR PACKAGE QUANTITY.
2. CONCENTRIC BREAKOUTS TO ACCOMMODATE CONDUIT SIZES OF 1/2", 3/4", AND 1" DIAMETERS.
3. BREAKOUTS ARE PROVIDED ON ALL FOUR SIDES OF COVER FOR T45, LDS, PD, LDPH & LD RACEWAYS.
4. DIMENSIONS IN PARENTHESES ARE IN METRIC.



CAD FILENAME/LAYERS 10Y003BA_DC_JBP3D/00B

PANDUIT CORP TINLEY PARK, ILLINOIS
PAN-WAY 3 GANG DEEP JUNCTION BOX (JBP3D)
 CUSTOMER DRAWING

UNLESS OTHERWISE SPECIFIED, DIMENSIONAL TOLERANCES ARE:

(.XX) ± .03 [.8]
 (.XXX) ± .005 [.127]
 ANGLES ±

UNLESS OTHERWISE SPECIFIED, ALL DIMENSIONS ARE GIVEN IN INCHES, THIRD ANGLE PROJECTION

REV	DATE	BY	CHK	DESCRIPTION	ECN	CHK	CUST	SUP
--	-----	----	----	RELEASED TO PRODUCTION	-----	----	----	
1	06.03.11	RMHI	RMHI	A. PART WEIGHT EST REVISED TO ACTUALS	10Y003BA-DC	RMHI	RTF1	
R	03.17.11	BDK	RMHI	DRAWING RELEASED				

DRAWN BY	BDK	MAT'L/COLOR:	PVC	SCALE	N.T.S.
DATE	03.17.11			DRAWING NO.	10Y003BA-DC
CK'D	RMHI			DWG SIZE	A