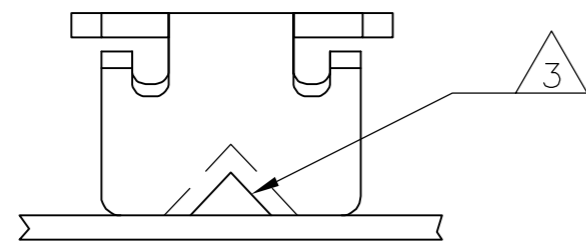


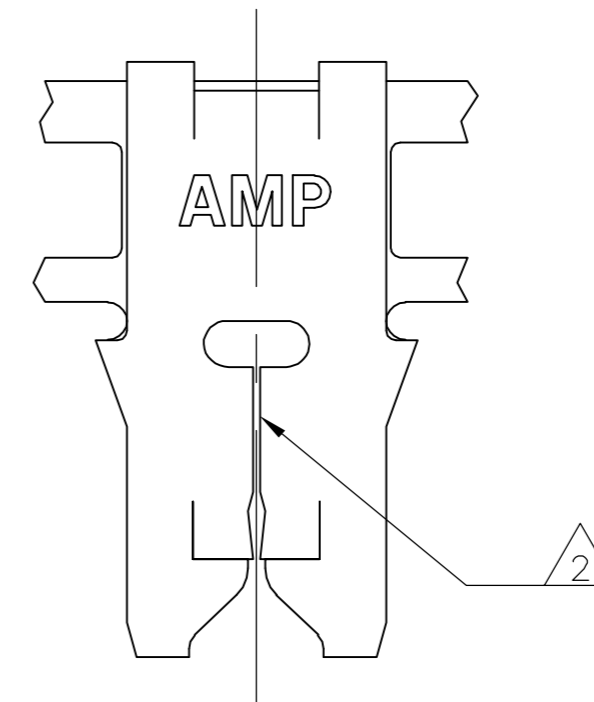
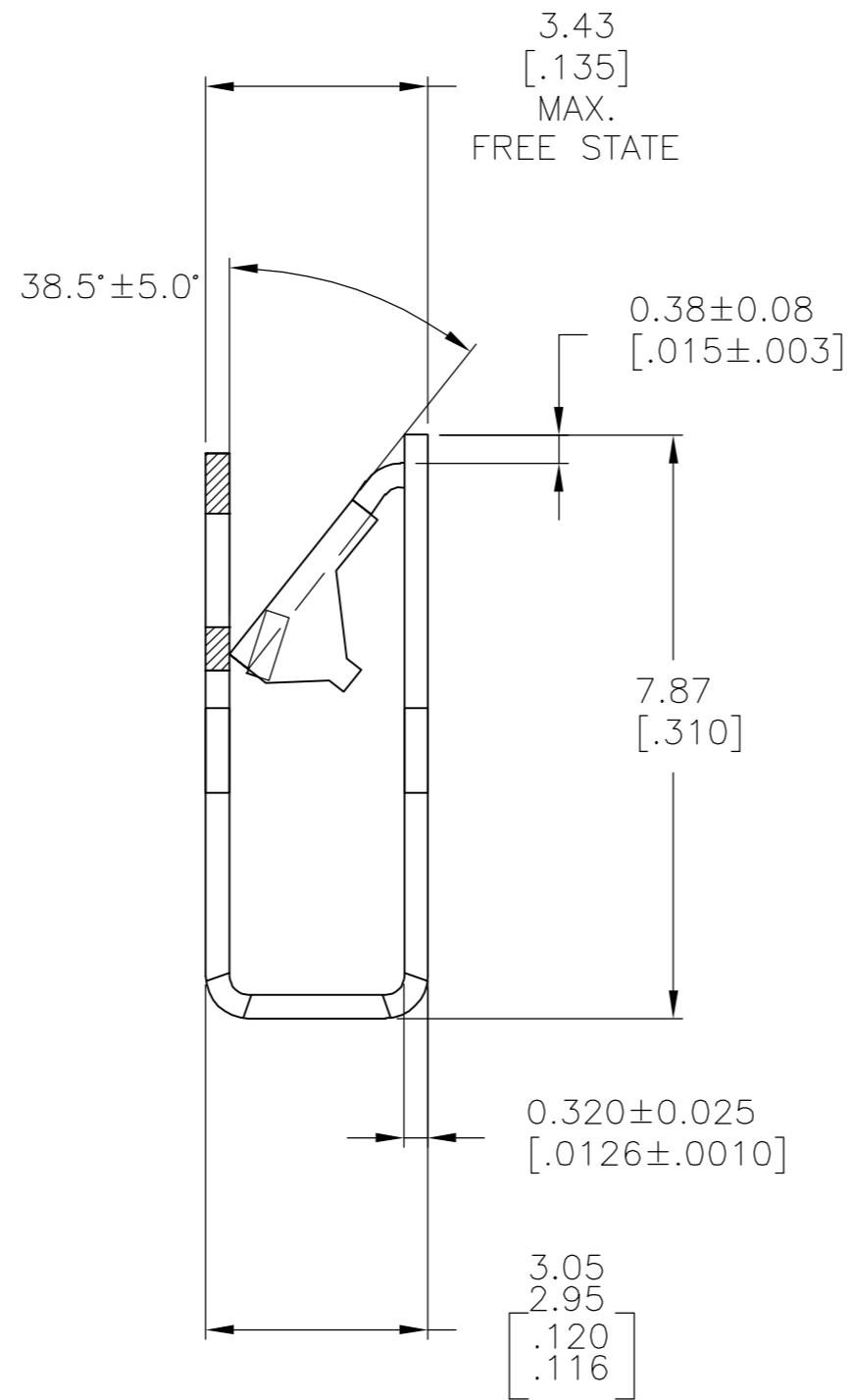
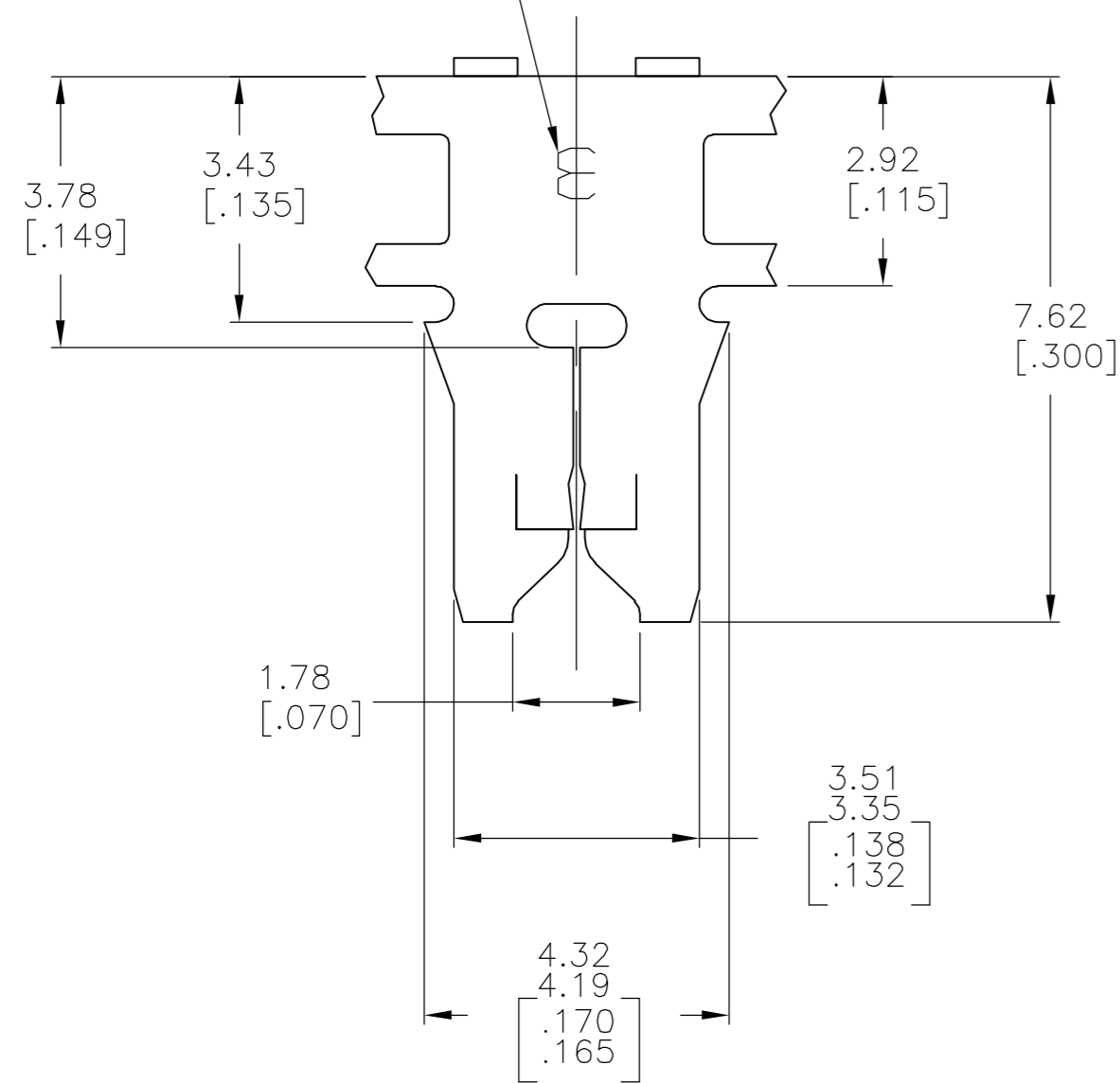
THIS DRAWING IS UNPUBLISHED. RELEASED FOR PUBLICATION
 © COPYRIGHT BY TYCO ELECTRONICS CORPORATION. ALL RIGHTS RESERVED.

LOC	DIST	REVISIONS			
P	LTR	DESCRIPTION	DATE	DWN	APVD
G	01	A1	REVISED PER ECR-06-007952	07APR06	MF KR

- CONTINUOUS STRIP ON REELS WITH TERMINALS LOCATED ON 5.59 ± 0.08 [.220 ± .003] CENTERS
- SLOT TERMINATES EITHER A SINGLE OR DOUBLE MAGNET WIRE OF THE SAME SIZE AND TYPE. COPPER RANGE: 0.16–0.18mm [#34–#33]
- POKE-IN ACCEPTS A $0.5\text{--}0.9\text{mm}^2$ [#20#18] AWG SOLID OR FUSED STRANDED LEAD WIRE.



IDENTIFICATION NUMBER 3 FOR MAGNET WIRE RANGE



1742379-1

PART NUMBER

THIS DRAWING IS A CONTROLLED DOCUMENT.		DWN M.S. FEHER 16JAN2006	Tyco Electronics Corporation Harrisburg, PA 17105-3608	
DIMENSIONS: mm [INCHES]		CHK K.A. RANDOLPH 16JAN2006		
TOLERANCES UNLESS OTHERWISE SPECIFIED:		APVD K.A. RANDOLPH 16JAN2006	NAME K.A. RANDOLPH	
0 PLC ± - 1 PLC ± - 2 PLC ± 0.25[.010] 3 PLC ± - 4 PLC ± - ANGLES ± -		PRODUCT SPEC 108-2012	TERMINAL, POKE-IN 300 SERIES MAG-MATE	
MATERIAL 4M BRASS		FINISH 0.002032[.000080] MIN TIN PLATE	APPLICATION SPEC 114-2046	RESTRICTED TO -
		WEIGHT -	SIZE A2	CAGE CODE 00779
		CUSTOMER DRAWING	DRAWING NO C=1742379	SCALE 10:1
			SHEET 1 of 1	REV A1