

Customer Information Sheet

DRAWING No.: M22-543XX05

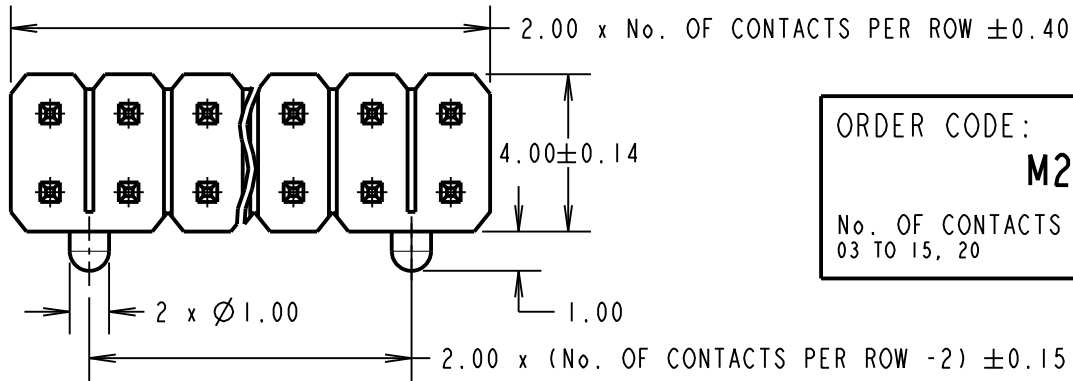
IF IN DOUBT - ASK

©

NOT TO SCALE

THIRD ANGLE PROJECTION

ALL DIMENSIONS IN mm



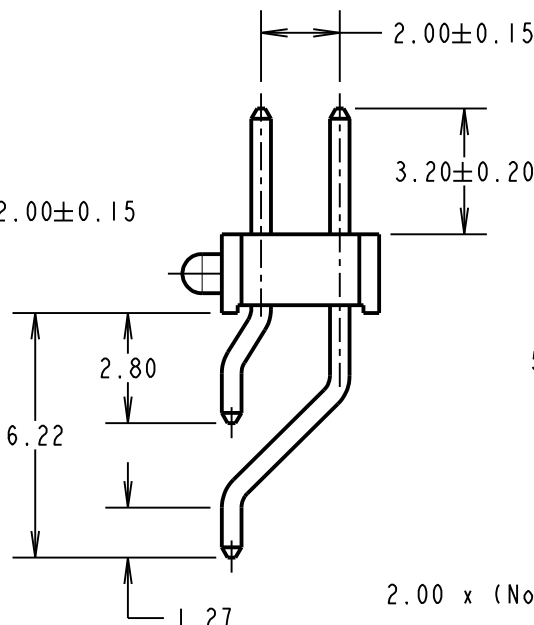
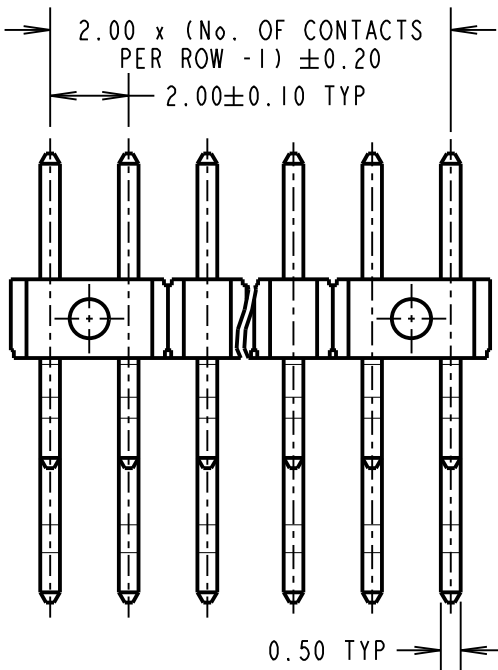
ORDER CODE:

M22-543XX05

No. OF CONTACTS PER ROW:
03 TO 15, 20

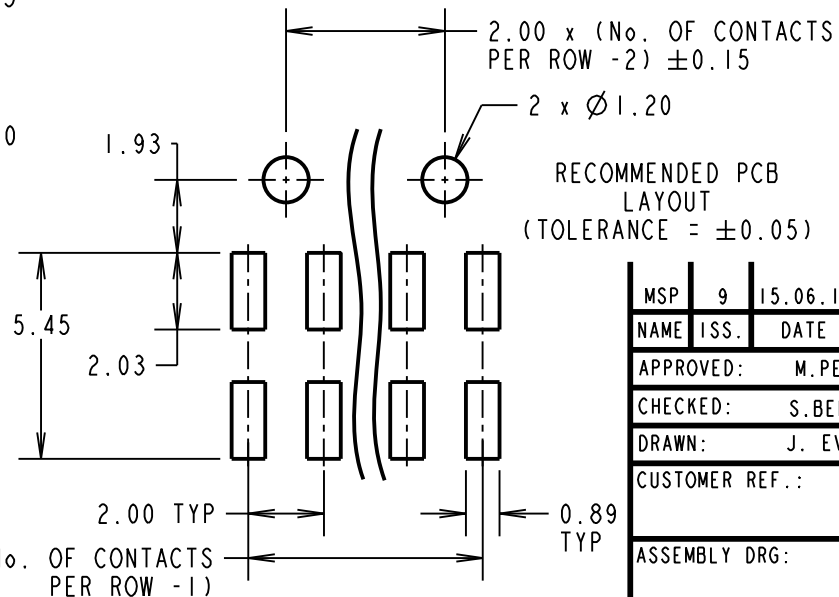
SPECIFICATION:

MATERIAL:
 MOULDING = PA6T UL94V-0, BLACK
 CONTACT = BRASS
FINISH:
 CONTACT = GOLD FLASH OVER NICKEL
ELECTRICAL:
 CURRENT RATING = 1.5A
 CONTACT RESISTANCE = 20mΩ MAX
 INSULATION RESISTANCE = 1000MΩ MIN
 DIELECTRIC STRENGTH = 500V AC/DC MINUTE
ENVIRONMENTAL:
 TEMPERATURE RANGE = -40°C TO +105°C
PACKING: BOX
 FOR COMPLETE SPECIFICATION, SEE COMPONENT SPECIFICATION C018XX (LATEST ISSUE)



NOTES:

1. DIMENSION TOLERANCES = ±0.25 UNLESS OTHERWISE STATED.



RECOMMENDED PCB LAYOUT (TOLERANCE = ±0.05)

MSP	9	15.06.15	12803
NAME	ISS.	DATE	C/NOTE
APPROVED:		M. PERREN	
CHECKED:		S. BENNETT	
DRAWN:		J. EVANS	
CUSTOMER REF.:			
ASSEMBLY DRG:			

HARWIN

www.harwin.com
technical@harwin.com

THIS DRAWING AND ANY INFORMATION OR DESCRIPTIVE MATTER SET OUT HEREON ARE CONFIDENTIAL AND COPYRIGHT PROPERTY OF THE HARWIN GROUP AND MUST NOT BE DISCLOSED, LOANED, COPIED OR USED FOR MANUFACTURING, TENDERING OR FOR ANY OTHER PURPOSE WITHOUT THEIR WRITTEN PERMISSION.

TOLERANCES

X = ±1mm
 X.X = ±0.50mm
 X.XX = ±0.10mm
 X.XXX = ±0.01mm
 ANGLES = ±5°
 UNLESS STATED

MATERIAL:

SEE ABOVE

FINISH:

SEE ABOVE

S/AREA:

mm²

TITLE:

2.00mm PITCH DIL HORIZONTAL SMT PIN HEADER ASSEMBLY

DRAWING NUMBER:

M22-543XX05

SHT

2 OF 2