

Configuration of Documents

P/N	Documents	No.	Title	CAT.No.
SFW_S-2ST(M)E9LF	Specification Connector dwg.	SC-SFWS03	CAT.NO.TABLE FOR 1mm SPACING SMT CONNECTOR	SFW__S-2ST__LF
		JSA96516	1mm SPACING SURFACE MOUNT FPC/FFC CONNECTOR	SFW__S-2ST__LF
	Cable dwg. Manual	JSA96517	1mm SPACING SURFACE MOUNT FPC/FFC CONNECTOR	SFW__S-2STM__LF
		JSA96518	1mm SPACING SURFACE MOUNT FPC/FFC CONNECTOR	SFW__S-2ST_E9LF
		JSA97526	CAT. NO. TABLE FOR PLASTIC TAPE PACKAGED 1mm SPACING SMT CONN.	SFW__S-2ST_E9LF
		JSA97527	PLASTIC TAPE PACKAGED 1mm SPACING SMT CONNECTOR	SFW__S-2ST_E9LF
		JSA93340	RECOMMENDED CABLE	SFW__S-2ST__LF
		JSA93341	RECOMMENDED CABLE	SFW__S-2ST__LF
		BJM-SFWS101		
		SFW_S-6ST(M)E9LF	Specification Connector dwg.	SC-SFWS04
Cable dwg. Manual	JSA96521	1mm SPACING SURFACE MOUNT CIC CONNECTOR	SFW__S-6ST__LF	
	JSA96522	1mm SPACING SURFACE MOUNT CIC CONNECTOR	SFW__S-6STM__LF	
	JSA97528	CAT. NO. TABLE FOR PLASTIC TAPE PACKAGED 1mm SPACING SMT CONN.	SFW__S-6ST_E9LF	
	JSA97529	PLASTIC TAPE PACKAGED 1mm SPACING SMT CONNECTOR	SFW__S-6ST_E9LF	
	JSA93904	RECOMMENDED CABLE	SFW__S-6ST__LF	
	BJM-SFWS102			

mat'l. code		surface 58	tolerance	projection	product family	58SF	CODE
lth	ecn no	ISO 1302	ISO 406		SFW_S Documents Configuration (1mm Spacing connector)	sheet 1 of 1	JP
A	J09-0202	dr	ISO 101				
		angles	linear	mm			
		dr	engr	scale			
		chr	appd				
					dwg no	JSA97525	sheet 1 of 1
sheet index	revision sheet	date		type	Product Customer Drawing		Rev.
	A	2009-5-25					A

form: A4

1

2

CAT. NO. & DIMENSIONS

NOTE3	NO. OF CONTACTS (n)	CAT. NO.	DIMENSIONS (NOTE2)		
			A ±0.2	B ±0.2	C ±0.2
	4	SFW4S-2ST__LF	10.4	5.24	3
	5	SFW5S-2ST__LF	11.4	6.24	4
	6	SFW6S-2ST__LF	12.4	7.24	5
*	7	SFW7S-2ST__LF	13.4	8.24	6
	8	SFW8S-2ST__LF	14.4	9.24	7
*	9	SFW9S-2ST__LF	15.4	10.24	8
	10	SFW10S-2ST__LF	16.4	11.24	9
	11	SFW11S-2ST__LF	17.4	12.24	10
*	12	SFW12S-2ST__LF	18.4	13.24	11
	13	SFW13S-2ST__LF	19.4	14.24	12
	14	SFW14S-2ST__LF	20.4	15.24	13
	15	SFW15S-2ST__LF	21.4	16.24	14
	16	SFW16S-2ST__LF	22.4	17.24	15
	17	SFW17S-2ST__LF	23.4	18.24	16
*	18	SFW18S-2ST__LF	24.4	19.24	17
*	19	SFW19S-2ST__LF	25.4	20.24	18
	20	SFW20S-2ST__LF	26.4	21.24	19
*	21	SFW21S-2ST__LF	27.4	22.24	20
	22	SFW22S-2ST__LF	28.4	23.24	21
	23	SFW23S-2ST__LF	29.4	24.24	22
	24	SFW24S-2ST__LF	30.4	25.24	23
*	25	SFW25S-2ST__LF	31.4	26.24	24
	26	SFW26S-2ST__LF	32.4	27.24	25
*	27	SFW27S-2ST__LF	33.4	28.24	26
	28	SFW28S-2ST__LF	34.4	29.24	27
	29	SFW29S-2ST__LF	35.4	30.24	28
	30	SFW30S-2ST__LF	36.4	31.24	29
*	31	SFW31S-2ST__LF	37.4	32.24	30
*	32	SFW32S-2ST__LF	38.4	33.24	31



NOTES

1. THIS PRODUCT IS THE CONNECTOR, DESIGNED TO TERMINATE FPC/FFC AND COPE WITH AUTOMATIC MOUNTING (SMT).
2. SEE PART DRAWINGS FOR DIMENSIONS A.B.C.
3. PLEASE CONSULT US IN CASE OF USING PARTS WITH * MARK

mat'l. code				surface 58 / tolerance ISO 1302 / ISO 406 / ISO 1101		projection		product family 58SF		CODE JP	
ltr ecn no dr date				tolerances unless otherwise specified		mm		title			
A	J05-0377	H.T	2005-6-22	angles linear		mm		CAT. NO. TABLE FOR 1mm SPACING SMT CONNECTOR (CAT.No.SFW__S-2ST__LF)			
B	J05-0547	H.T	2005-8-30			scale X		dwg no sheet 1 of 1 size			
C	J06-0430	H.T	2006-10-19			FCI		JSA 96516 A4			
D	J07-0407	H.T	2007-8-9	dr engr chr appd				type Product Customer Drawing			
sheet index		revision D sheet 1								Rev. D	



PT. NO.	PARTS NAME	MATERIAL	Q'TY	NOTE
1	HOUSING	GLASS FILLED THERMOPLASTIC RATED. (UL94V-0)	1	COLOR : BROWN
2	SLIDER	(UL94V-0)	1	COLOR : BLACK
3	CONTACT	PHOSPHOR BRONZE	n	PLATING : TIN Ni UNDER PLATED(LEAD FREE)

n : NO. OF CONTACTS

NOTES

1. THIS PRODUCT IS THE CONNECTOR DESIGNED TO TERMINATE FPC/FFC AND COPEs WITH AUTOMATIC MOUNTING (SMT).
2. FLATNESS OF CONTACT TERMINAL MUST BE WITHIN TOLERANCE IN Z PORTION DETAILED DRAWING.
3. THIS DIMENSION IS SPACE FOR THE NOZZLE OF MOUNTER.
4. THIS PRODUCT MEETS EUROPEAN UNION DIRECTIVES AND OTHER COUNTRY REGULATIONS AS DESCRIBED IN GS-22-008
5. THE HOUSING WILL WITHSTAND EXPOSURE TO 260°C PEAK TEMPERATURE FOR 10 SECONDS IN A REFLOW SOLDERING OVEN.

RECOMMENDED PC BOARD LAYOUT (COMPONENT SIDE)



mat'l. code				surface 58 ISO 1302 ✓		tolerance ISO 406 ISO 1101		projection mm		product family 58SF		CODE JP	
ltr	ecn no	dr	date	tolerances unless otherwise specified				mm		title 1mm SPACING SURFACE MOUNT FPC/FFC CONNECTOR (CAT.No.SFW__S-2ST__LF)			
A	J05-0377	H.T	6/22/05	angles		±0.2		scale X		dwg no JSA 96517		sheet 1 of 1 size A4	
B	J05-0731	H.T	10/28/05	linear				FCI		type Product Customer Drawing			
C	J06-0430	H.T	10/19/06										
sheet index		revision sheet 1		dr		10/19/06						Rev c	
				enrg		10/19/06							
				chr		10/19/06							
				appd		10/19/06							

SC-SFWS 03 JSA96516 form: A4



PT. NO.	PARTS NAME	MATERIAL	Q'TY	NOTE
1	HOUSING	GLASS FILLED THERMOPLASTIC RATED. (UL94V-0)	1	COLOR : BROWN
2	SLIDER		1	COLOR : BLACK
3	CONTACT	PHOSPHOR BRONZE	n	PLATING : TIN Ni UNDER PLATED(LEAD FREE)
4	MOUNTING PLATE	BRASS	2	

n : NO. OF CONTACTS

NOTES

1. THIS PRODUCT IS THE CONNECTOR DESIGNED TO TERMINATE FPC/FFC AND COPES WITH AUTOMATIC MOUNTING (SMT).
2. FLATNESS OF CONTACT TERMINAL AND MOUNTING PLATE MUST BE WITHIN TOLERANCE IN Z PORTION DETAILED DRAWING.
3. THIS DIMENSION IS SPACE FOR THE NOZZLE OF MOUNTER.
4. THIS PRODUCT MEETS EUROPEAN UNION DIRECTIVES AND OTHER COUNTRY REGULATIONS AS DESCRIBED IN GS-22-008
5. THE HOUSING WILL WITHSTAND EXPOSURE TO 260°C PEAK TEMPERATURE FOR 10 SECONDS IN A REFLOW SOLDERING OVEN.

RECOMMENDED PC BOARD LAYOUT (COMPONENT SIDE)

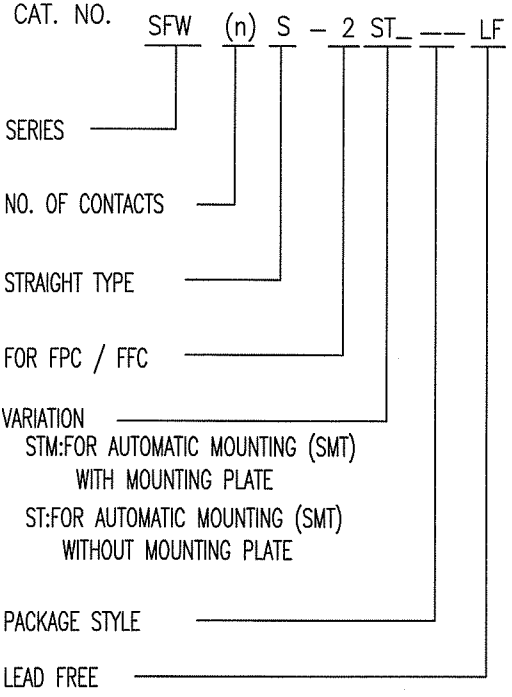


mat'l. code				surface 58	tolerance ISO 1302	projection	product family 58SF	CODE JP
ltr ecn no dr date				tolerances unless otherwise specified	ISO 406	mm	title 1mm SPACING SURFACE MOUNT FPC/FFC CONNECTOR (CAT.No.SFW__S-2STM__LF)	
A J05-0377 H.T 6/22/05				angles	ISO 1101			
B J05-0731 H.T 10/28/05				linear	±0.2	scale X	dwg no sheet 1 of 1 size	
C J06-0430 H.T 10/19/06							JSA 96518 A4	
sheet index				dr	engr	FCI	type Product Customer Drawing	
revision sheet				chr	appd			
C 1				10/19/06	10/19/06			
				10/20/06	10/20/06			

SC-SFWS 03 JSA96516 form: A4

CAT. NO. & DIMENSIONS

(NOTE4)	NO. OF CONTACTS (n)	CAT. NO. (NOTE2)	DIMENSIONS (NOTE3)		
			D MAX.	E ± 0.3	F ± 0.1
	4	SFW4S-2ST_E9LF	30.4	24	—
	5	SFW5S-2ST_E9LF	30.4	24	—
	6	SFW6S-2ST_E9LF	30.4	24	—
*	7	SFW7S-2ST_E9LF	30.4	24	—
	8	SFW8S-2ST_E9LF	30.4	24	—
*	9	SFW9S-2ST_E9LF	30.4	24	—
	10	SFW10S-2ST_E9LF	30.4	24	—
	11	SFW11S-2ST_E9LF	30.4	24	—
*	12	SFW12S-2ST_E9LF	38.4	32	28.4
	13	SFW13S-2ST_E9LF	38.4	32	28.4
	14	SFW14S-2ST_E9LF	38.4	32	28.4
	15	SFW15S-2ST_E9LF	38.4	32	28.4
	16	SFW16S-2ST_E9LF	50.4	44	40.4
	17	SFW17S-2ST_E9LF	50.4	44	40.4
*	18	SFW18S-2ST_E9LF	50.4	44	40.4
*	19	SFW19S-2ST_E9LF	50.4	44	40.4
	20	SFW20S-2ST_E9LF	50.4	44	40.4
*	21	SFW21S-2ST_E9LF	50.4	44	40.4
	22	SFW22S-2ST_E9LF	50.4	44	40.4
	23	SFW23S-2ST_E9LF	50.4	44	40.4
	24	SFW24S-2ST_E9LF	50.4	44	40.4
*	25	SFW25S-2ST_E9LF	50.4	44	40.4
	26	SFW26S-2ST_E9LF	50.4	44	40.4
*	27	SFW27S-2ST_E9LF	62.4	56	52.4
	28	SFW28S-2ST_E9LF	62.4	56	52.4
	29	SFW29S-2ST_E9LF	62.4	56	52.4
	30	SFW30S-2ST_E9LF	62.4	56	52.4
*	31	SFW31S-2ST_E9LF	62.4	56	52.4
*	32	SFW32S-2ST_E9LF	62.4	56	52.4



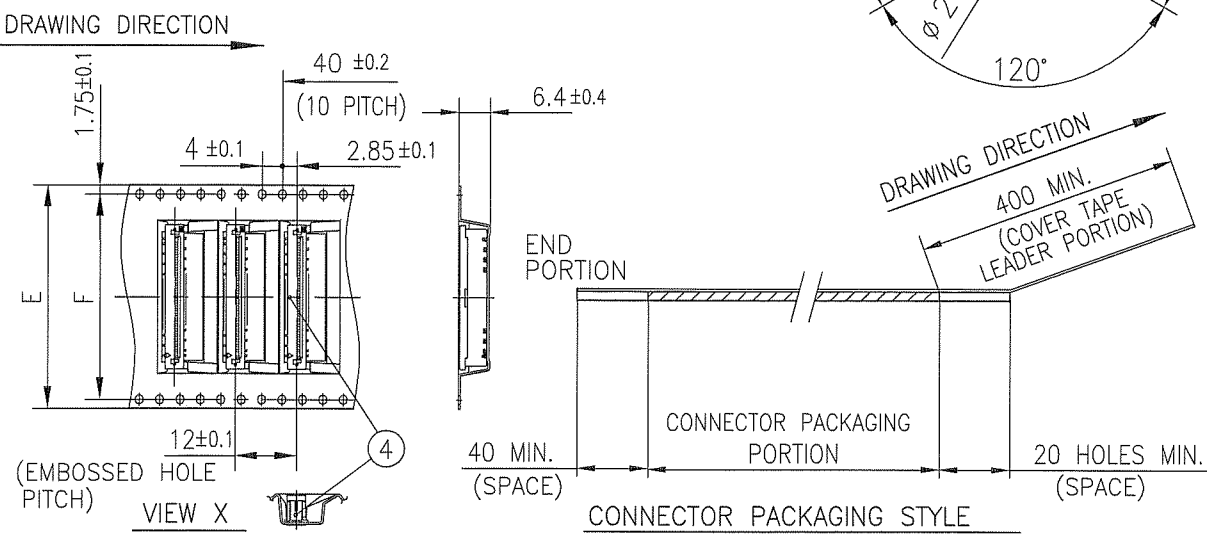
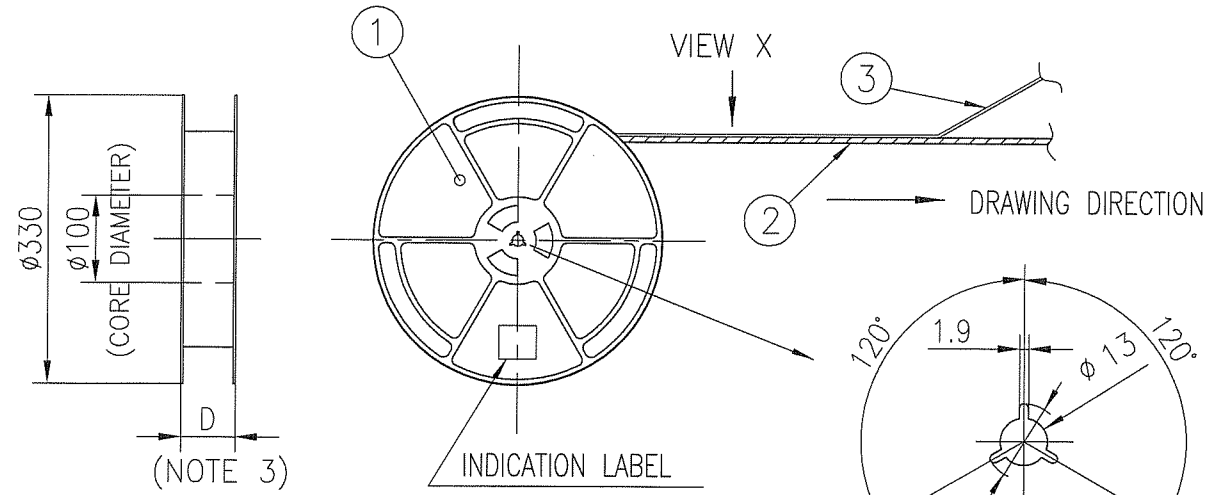
NOTES

1. THIS PRODUCT IS THE CONNECTOR DESIGNED TO TERMINATE FPC/FFC AND COPES WITH AUTOMATIC MOUNTING (SMT).
2. THIS CATALOG NO. INDICATES PLASTIC TAPE PACKAGED CONNECTOR.
3. SEE PART DRAWINGS FOR DIMENSIONS D~F.
4. PLEASE CONSULT US IN CASE OF USING PARTS WITH * MARK.



Copyright FCI.

mat'l. code				surface 58 / tolerance ISO 1302 ✓ / ISO 406 / ISO 1101		projection		product family 58SF		CODE JP			
ltr ecn no dr date				tolerances unless otherwise specified				title					
A J09-0202 M.Y 2009-5-25				angles linear		mm		CAT NO. TABLE FOR PLASTIC TAPE PACKAGED 1mm SPACING SMT CONN. (CAT.No.SFW__S-2ST_E9LF)					
				dr H.YAMAMOTO 2009-5-25				dwg no sheet 1 of 1 size					
				enr H.YAMAMOTO 2009-5-25				JSA 97526		A4			
				chr S. Wickham 2009-5-25									
				appd S. Wickham 2009-5-25									
sheet index		revision sheet		A 1						Rev. A			



PT. NO.	PARTS NAME	CAT. NO.	MATERIAL	Q'TY	NOTE
1	REEL	_____	POLYSTYRENE	1	COLOR : WHITE or BLACK
2	PLASTIC (EMBOSSSED) TAPE	_____	PET	—	COLOR : TRANSPARENCY
3	COVER	_____	POLYESTER	—	COLOR : TRANSPARENCY
4	CONNECTOR	SFW__S-2ST_LF	SEE ATTACHED DWG.	500	_____

- NOTES
- THIS IS PLASTIC TAPE PACKAGED CONNECTOR USED FOR FPC/FFC AND COPES WITH AUTOMATIC MOUNTING (SMT).
 - SEE JIS C 0806 (PACKING OF ELECTRONIC COMPONENTS ON CONTINUOUS TAPES (SURFACE MOUNTING DEVICES)) FOR SHAPE AND DIMENSIONS OF PLASTIC (EMBOSSSED) TAPE AND REEL.
 - F DIMENSION IS PORTION OF THE CORE.

mat'l. code				surface ISO 1302	tolerance ISO 406 ISO 1101	projection	product family 58SF	CODE JP
ltr	ecn no	dr	date	tolerances unless otherwise specified		mm	title	
A	J09-0202	M.Y	2009-5-25	angles ±5°	linear		PLASTIC TAPE PACKAGED 1mm SPACING SMT CONNECTOR (Cat. No. SFW__S-2ST_E9LF)	
				dr	M. YAMASHITA	2009-5-25	dwg no sheet 1 of 1 size	
				enr	M. YAMASHITA	2009-5-25	JSA 97527 A4	
				chr	S. Subramanian	2009-5-25	type Product Customer Drawing	
				appd	J. Okada	2009-5-25		
sheet index	revision sheet	A	1					Rev. A



FCIconnect.com

Copyright FCI.



RECOMMENDED CABLE (FPC)

n : NO. OF CONDUCTORS



PT. NO.	DESCRIPTION	MATERIAL	THICKNESS (μm)
1	BASE FILM	POLYIMIDE OR POLYESTER OR EQUIVALENT	25
2	CONDUCTOR	COPPER FOIL(PLATING : SOLDER 1μm MIN.)	35
3	OVERLAY	POLYIMIDE OR POLYESTER OR EQUIVALENT	—
4	SUPPORTING TAPE	POLYESTER OR POLYIMIDE OR EQUIVALENT	188

NOTES

1. NO BURR AT EACH PORTION.
2. NO PEELING IN COMMON USE.
3. TOTAL THICKNESS LIMIT OF EACH MATERIAL (INCLUDING ADHESIVE AGENT) IS SPECIFIED.

mat'l. code				surface 58 / tolerance ISO 406 ISO 1101		projection		product family 58SF		CODE JP	
ltr ecn no dr date				tolerances unless otherwise specified		mm		title			
AA J04-0333 H.T Oct.13,'04				angles linear		mm		RECOMMENDED CABLE			
AB J06-0430 H.T 10/19/06						scale X		(CAT.No.SFW__S-2ST__)			
				dr 10/19/06		FCI		dwg no sheet 1 of 1 size			
				enr 10/19/06				JSA 93340		A4	
				chr 10/19/06				type Product Customer Drawing			
				appd 10/20/06							
sheet index		revision sheet		AB 1						Rev AB	

RECOMMENDED CABLE (FFC)

n : NO. OF CONDUCTORS



PT. NO.	DESCRIPTION	MATERIAL	NOTE
1	INSULATOR	FLAME RESISTING POLYESTER OR EQUIVALENT	_____
2	CONDUCTOR	COPPER FOIL	PLATING: TIN OR SOLDER 1µm MIN.
3	SUPPORTING TAPE	FLAME RESISTING POLYESTER OR EQUIVALENT	_____

NOTES

1. NO BURR AT EACH PORTION.
2. NO PEELING IN COMMON USE.

mat'l. code				surface 5B / tolerance ISO 406 ISO 1101		projection		product family 58SF		CODE JP	
ltr ecn no dr date				tolerances unless otherwise specified		mm		title			
AA J04-0333 H.T. 06.13.04				angles linear		mm		RECOMMENDED CABLE (CAT.No.SFW__S-2ST__)			
AB J06-0430 H.T. 10/19/06						scale X		dwg no sheet 1 of 1 size			
				dr 10/19/06		FCI		JSA 93341 A4			
				enr 10/19/06				type Product Customer Drawing			
				chr R. Showe 10/19/06							
				appd P. Madan 10/20/06							
sheet index		revision AB								Rev. AB	
		sheet 1									