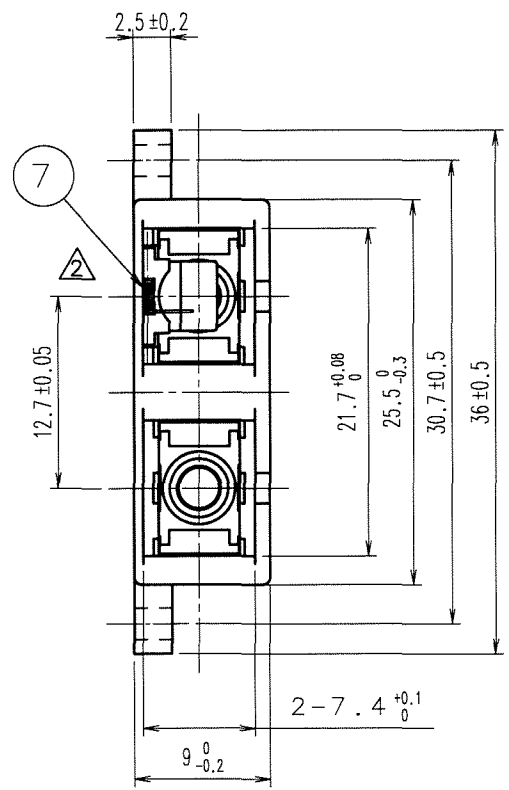
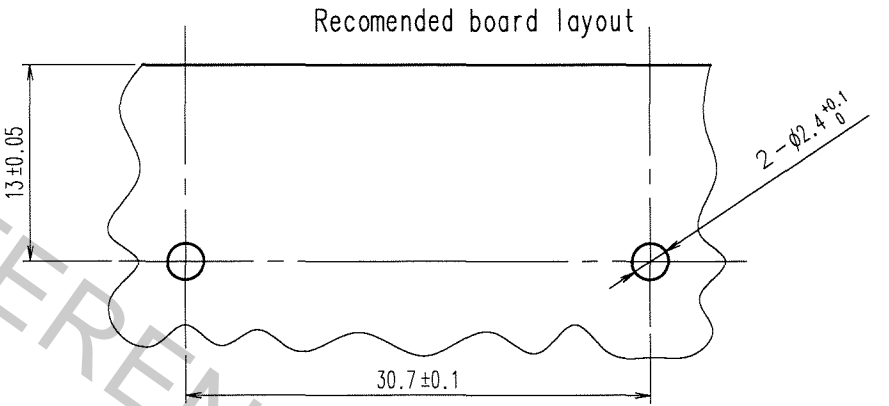
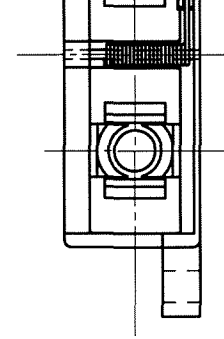
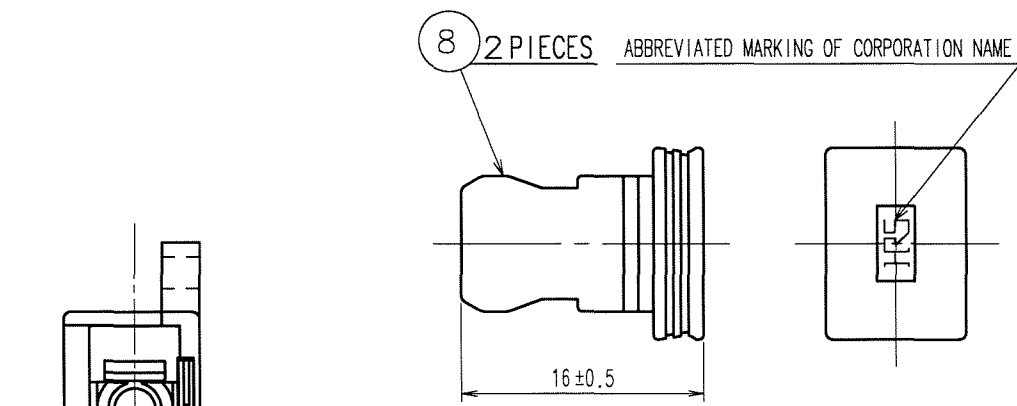
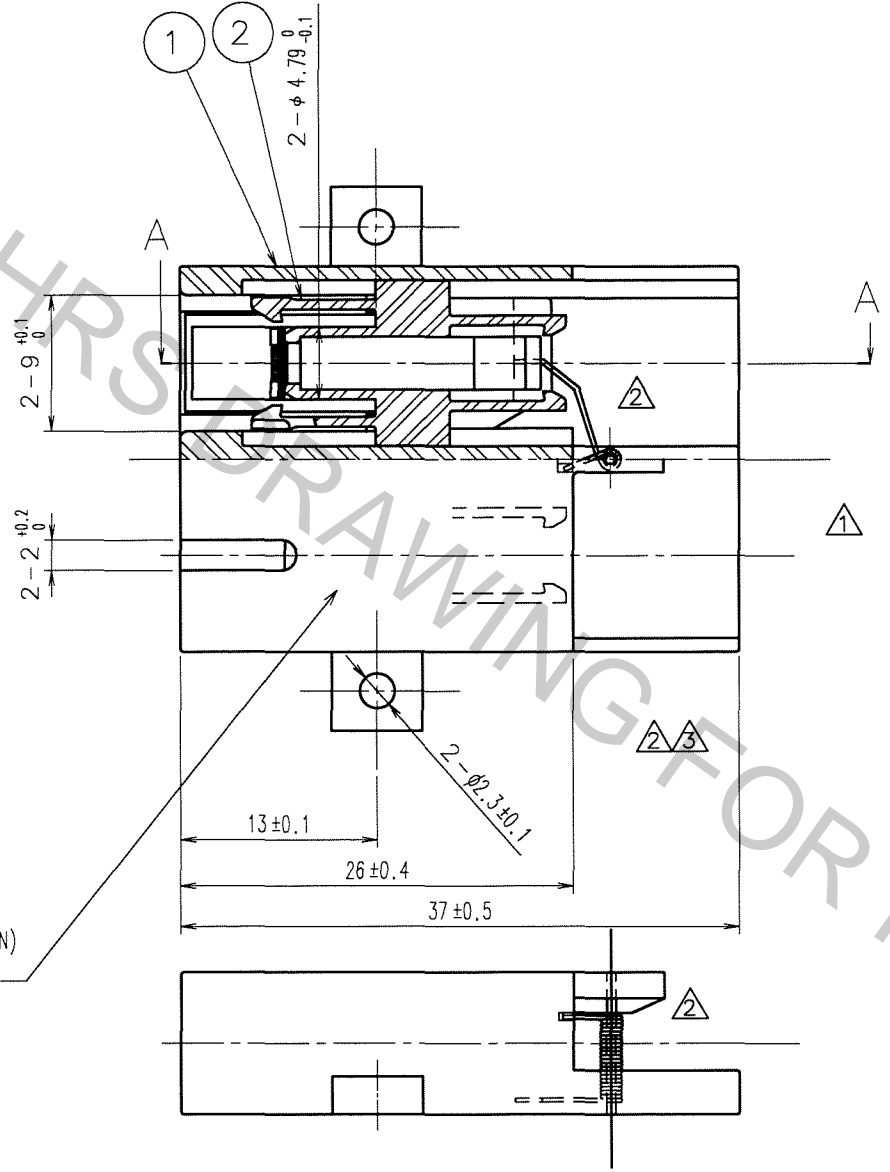


Apr.1.2017 Copyright 2017 HIROSE ELECTRIC CO., LTD. All Rights Reserved.

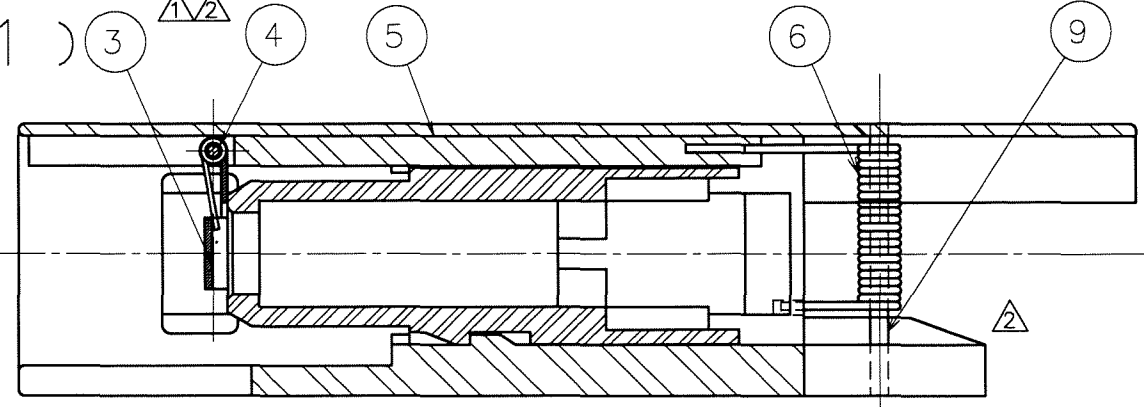
COUNT	DESCRIPTION OF REVISIONS	BY	CHKD	DATE	COUNT	DESCRIPTION OF REVISIONS	BY	CHKD	DATE
6	RE-01235	F.Yoshi	S.Arima	00.5.22					
9	RE-K-01432	T.Ito	S.Arima	01.3.6					
2	RE-K-02076	Y.SANO	Y.H	06.4.25					



ABBREVIATED MARKING OF CORPORATION NAME (HRS JAPAN)
AND PART NO. (SCF-2SR-S2)



A-A (4:1)



5	SYNTHETIC RESIN	BLACK	3	ERASE	
4	STAINLESS STEEL		9	STAINLESS STEEL	
3	STAINLESS STEEL		8	SYNTHETIC RESIN	
2	SYNTHETIC RESIN	BROWN	7	STAINLESS STEEL	
1	SYNTHETIC RESIN	BLUE	6	STAINLESS STEEL	
NO.	MATERIAL	FINISH, REMARKS	NO.	MATERIAL	FINISH, REMARKS

CODE NO. (OLD) CL799-2766-1		DRAWN N.Shin	DESIGNED F.Yoshi	CHECKED M.Inoue	APPROVED F.Naga	RELEASED
		99. 8. 2	99. 8. 2	99. 8. 2	99. 8. 3	

SCALE 2 : 1	DRAWING NO. EDC3-175339	PART NO. HSCF-2SR-S2
UNITS mm	HRS HIROSE ELECTRIC CO., LTD	CODE NO. CL704-0516-6

TO

1/2 Erase