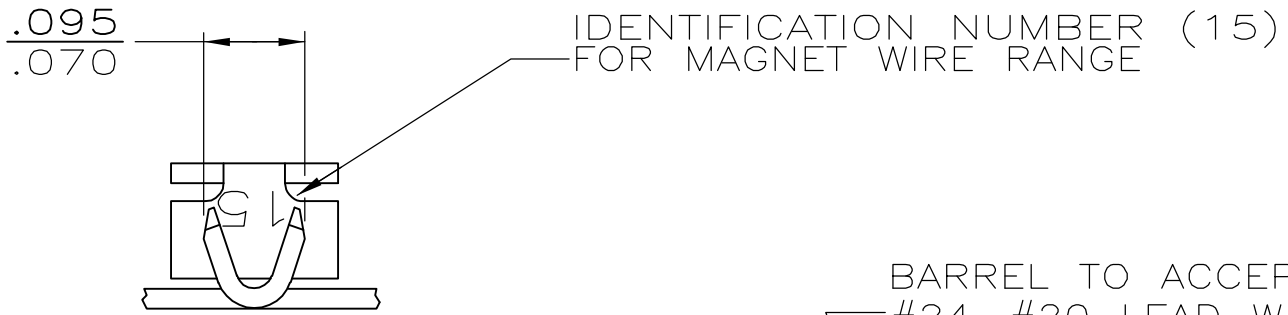


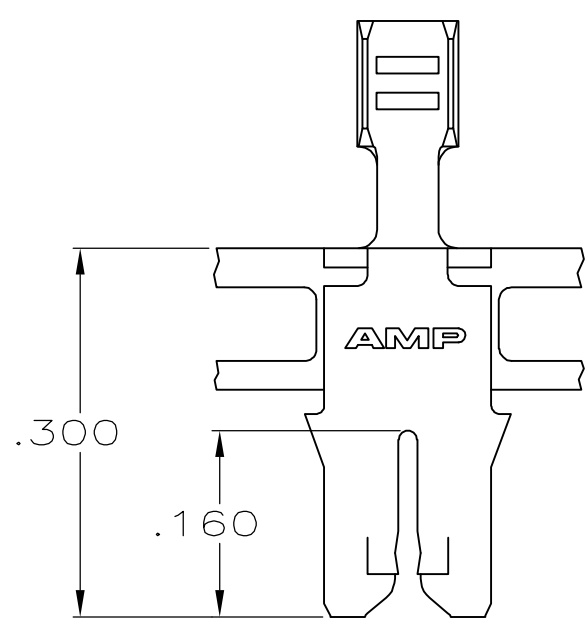
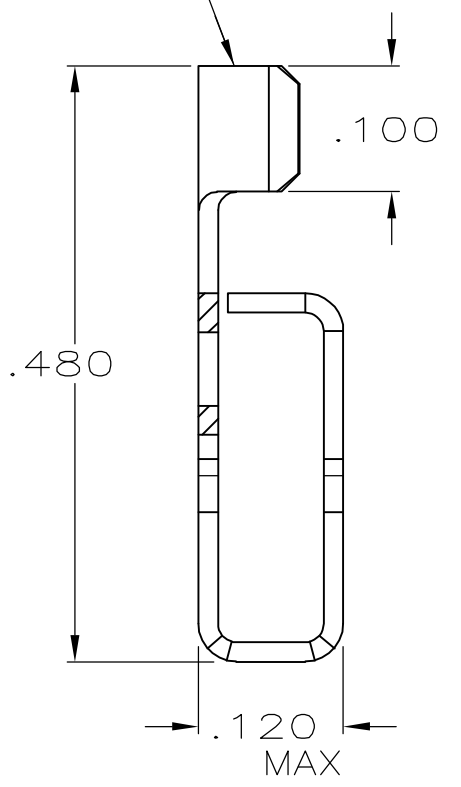
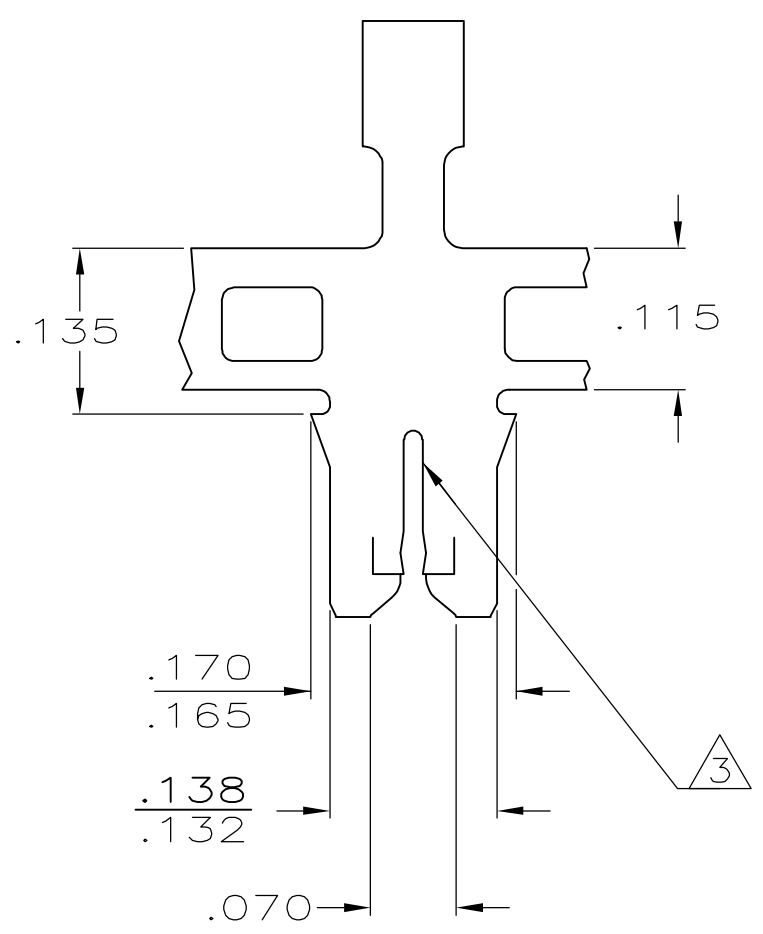
THIS DRAWING IS UNPUBLISHED. RELEASED FOR PUBLICATION  
 © COPYRIGHT - BY TYCO ELECTRONICS CORPORATION. ALL RIGHTS RESERVED.

LOC	DIST	REVISIONS			
P	LTR	DESCRIPTION	DATE	DWN	APVD
AF	50	R	REV PER 0G3A-0745-04	08OCT2004	RF KR



- 1 CONTINUOUS STRIP ON REELS WITH TERMINALS LOCATED ON .220 CENTERS.
- 2 FOR MATING CAVITY SPECIFICATIONS.
- 3 SLOT ACCEPTS #22-#20 COPPER MAGNET WIRE.

BARREL TO ACCEPT #24-#20 LEAD WIRE



62458-1  
PART NUMBER

THIS DRAWING IS A CONTROLLED DOCUMENT.		DWN T.L. BARBER 4/8/87	Tyco Electronics Corporation Harrisburg, PA 17105-3608		
DIMENSIONS: INCHES		CHK G. YETTER 4/8/87			
		TOLERANCES UNLESS OTHERWISE SPECIFIED:	NAME		
MATERIAL .016 H04 BRASS		FINISH TIN .000080 MIN	PRODUCT SPEC APPLICATION SPEC 114-2046		
			SIZE A3	CAGE CODE 00779	DRAWING NO C-62458
			RESTRICTED TO		
			SCALE 1:1		SHEET 1 OF 1
			REV R		