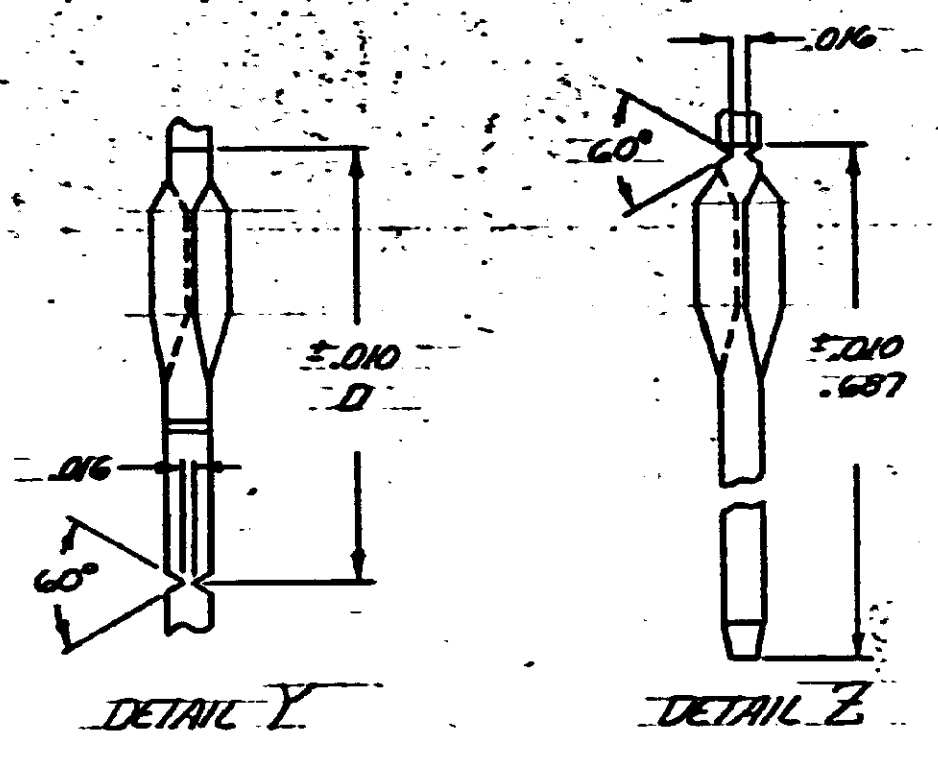
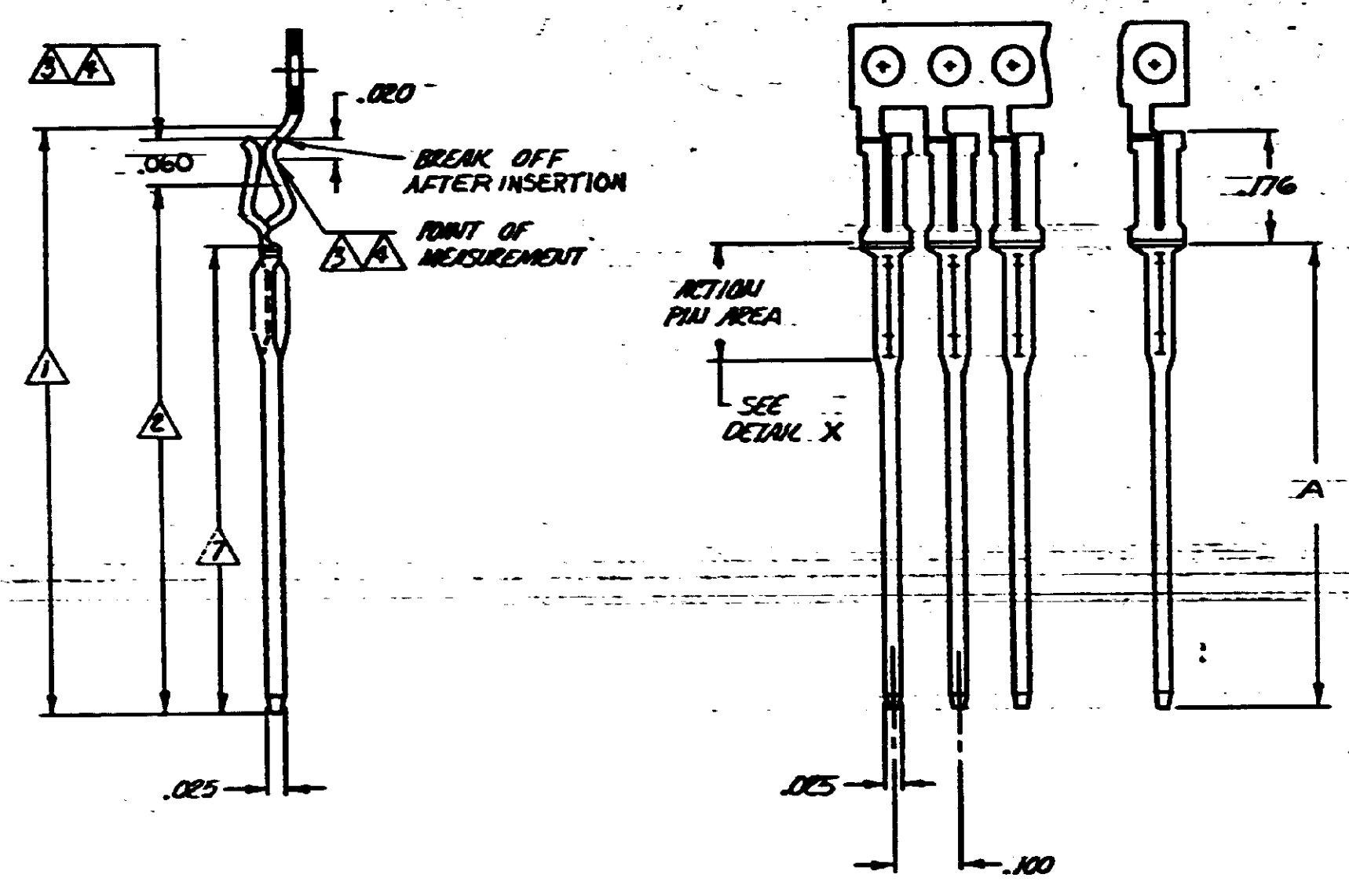
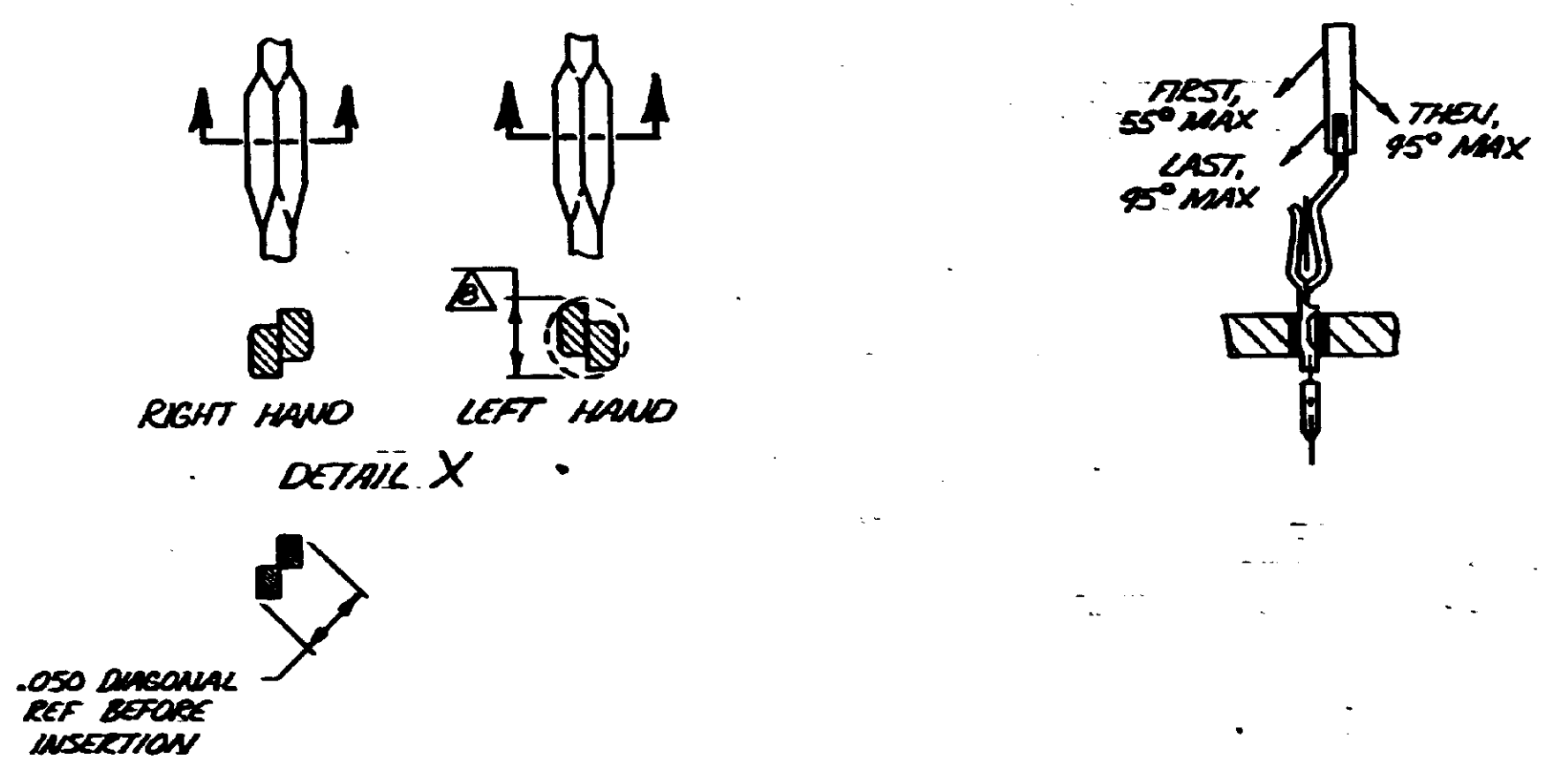


THIS DRAWING IS UNPUBLISHED. RELEASED FOR PUBLICATION. 10
 COPYRIGHT 1964 BY AMP INCORPORATED, HARRISBURG, PA. ALL INTERNATIONAL RIGHTS RESERVED. AMP PRODUCTS MAY BE COVERED BY U.S. AND FOREIGN PATENTS AND/OR PATENTS PENDING.

REV	DATE	DESCRIPTION	APPROVED
1	12-5-63	REVISED PER CBS-1016	
2	3-24-64	REV PER ECM AB 0831	
3	9-8-64	ECN AB-1888	
4	11-16-64	OPS-10 END OF 0148	
5		REVISED PER DF 6304	



- 1. GOLD PL. (MIL-G-45209), .000050 MIN THK OVER NICKEL PL. (QQ-NI-290), .000100 MIN THK.
- 2. GOLD PL. (MIL-G-45209), .000010 MIN THK OVER NICKEL PL. (QQ-NI-290), .000100 MIN THK.
- 3. GOLD PL. (MIL-G-45209), .000030 MIN THK OVER NICKEL PL. (QQ-NI-290), .000100 MIN THK.
- 4. GOLD PL. (MIL-G-45209), .000050 MIN THK OVER NICKEL PL. (QQ-NI-290), .000100 MIN THK.
- 5. PLATING NOT REQUIRED ON CARRIER STRIP.
- 6. REFER TO DRAWING 117178 FOR TYPICAL CONNECTOR SYSTEM APPLICATION.
- 7. .0412 DIA HOLE IS REQD FOR ASSEMBLY INTO PLATED THRU HOLES. PRIOR TO REFLOW SOLDER OPERATIONAL .036 TO .043 DIA HOLE IS REQD FOR PRESS FIT APPLICATION.
- 8. RIGHT AND LEFT HAND CONTACTS, ALTERNATE ON CARRIER STRIP.
- 9. A TYPE HOLE.
- 10. OBSOLETE (DUE TO NO ACTIVITY).



SIZE	CONTRACT NO.	FINISH	PART NO.
.315	117906	AA	1-119272-9
.275	220793-1	AA	1-119272-0
.300	118413	AA	1-119272-7
.365	118438-1	AA	1-119272-6
.225	117906	AA	1-119272-5
.180	118453	AA	1-119272-4
.290	118453	AA	1-119272-3
.155	118272	AA	1-119272-2
.155	118272	AA	1-119272-1
.155	117906	AA	1-119272-0
.155	117906	AA	119272-9
	117768	AA	119272-8
	117617	AA	119272-7
	228098	AA	119272-6
	118799	AA	119272-5
	117770	AA	119272-4
	117770	AA	119272-2

UNLESS OTHERWISE SPECIFIED DIMENSIONS ARE IN INCHES. TOLERANCES ON: DECIMALS ±.005 ANGLES ±.5°	CONTRACT NO.	AMP INCORPORATED HARRISBURG, PA. 17112
	DR. T. Smith 4/14/63	NAME
MATERIAL: BERYLLIUM COPPER (QQ-C-533)	CHK. R. J. ...	CONTACT, RECEPTACLE PCB, ECONOMITE II
FINISH: AA	APPD. R. J. ...	SIZE: D
	DSGN APPD.	FSCM NO. 00779
	OTHER APPD. T. Smith 4/14/63	DRAWING NO. 119272
		SCALE: NTS