

DETAILS

Product Number	C13483_ANNA-40-7-S
Family	Anna
Type	Lens array
Color	clear
Diameter	40 mm
Height	10,7 mm
Style	round
Optic Material	PMMA
Holder Material	
Fastening	pin
Status	production ready
ROHS Compliant	Yes
Date Updated	16/12/2016



OPTICAL PROPERTIES

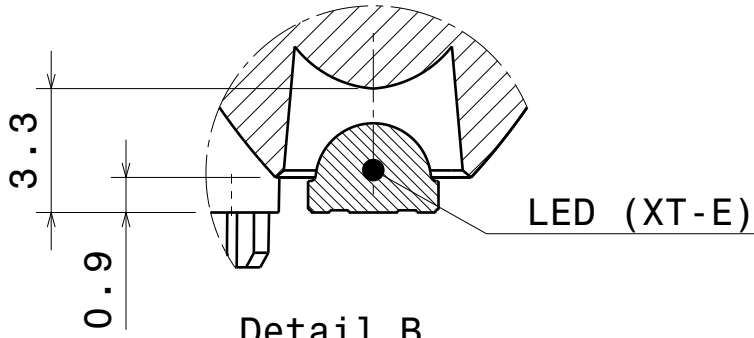
LED	Viewing	Light	Effi-		Connector
	Angle	Beam	ciency	cd/lm	
SM4	sim: 33	Spot	sim: 87 %	sim: 2.104 -	
XP-G	sim: 15	Spot	sim: 93 %	sim: 9.337 -	
XP-E	sim: 11	Spot	sim: 93 %	sim: 17.390-	
XB-D	sim: 13	Spot	sim: 90 %	sim: 12.030-	
XP-E2	12 deg	Spot	87 %	13.831 -	
XP-G2	17 deg	Spot	91 %	7.600 -	
XT-E	16 deg	Spot	89 %	7.300 -	
XP-L	sim: 22	Spot	sim: 92 %	sim: 4.370 -	
H35C0 (LEMWA33)	sim: 16	Spot	sim: 92 %	sim: 7.270 -	
LUXEON PWT	sim: 17	Spot	sim: 88 %	sim: 7.630 -	
LUXEON T	sim: 17	Spot	sim: 92 %	sim: 8.467 -	
LUXEON TX	sim: 15	Spot	sim: 93 %	sim: 9.400 -	
NF2x757A	sim: 14	Spot	sim: 92 %	sim: 9.180 -	
NCSxx19A	sim: 17	Spot	sim: 87 %	sim: 7.748 -	
NVSxx19B/NVSxx19C	sim: 18	Spot	sim: 92 %	sim: 6.270 -	
Oslon SSL 80	sim: 8	Spot	-	sim: 21.130-	
Oslon SSL 150	sim: 10	Spot	sim: 92 %	sim: 19.840-	
Oslon Square EC	sim: 13	Spot	sim: 92 %	sim: 11.210-	
SFH 4715S	sim: 13	Spot	sim: 90 %	sim: 11.690-	
Ostar Lighting+	sim: 33	Spot	sim: 91 %	sim: 2.405 -	
Z8Y22P	sim: 18	Spot	sim: 90 %	sim: 5.500 -	
Double Dome (GM2BB)	sim: 13	Spot	sim: 89 %	sim: 10.000-	

D

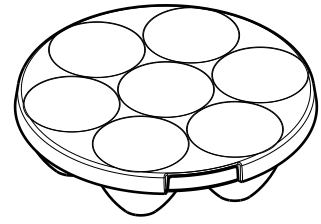
C

B

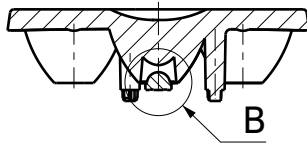
A



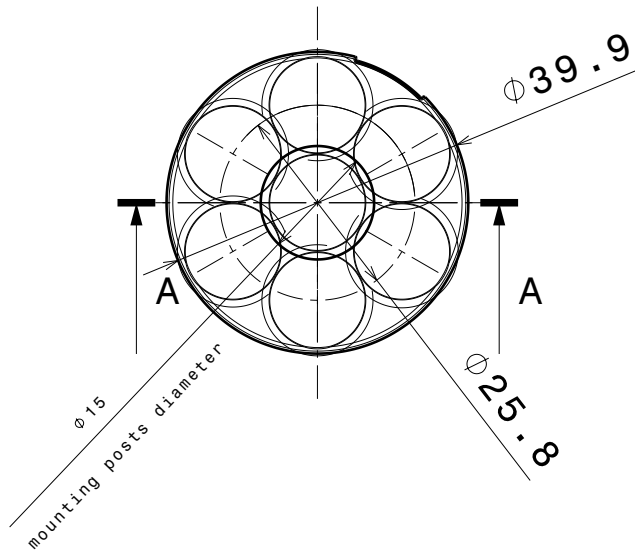
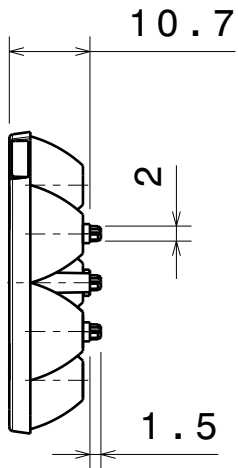
Detail B
Scale: 5:1



Isometric view
Scale: 1:1



Section view A-A
Scale: 1:1



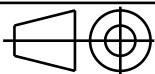
INDEX	PART NO	DESCRIPTION	MATERIAL	COLOUR
1	ANNA-40-7-series		PMMA	

Tolerances if not otherwise shown
According to DIN ISO 2768-1
Linear measures:
Up to 30mm class F, otherwise class M.
According to DIN ISO 2768-2
Form and position: class K



Ledil Oy
Salorankatu 10
FIN 24240 SALO
Finland

THIRD ANGLE PROJECTION:



DRAWING TITLE

ANNA-40-7-series

This drawing is the property of LEDiL Oy. It may not be reproduced, copied or communicated without a written agreement with LEDiL Oy."

SIZE PART NUMBER

A4

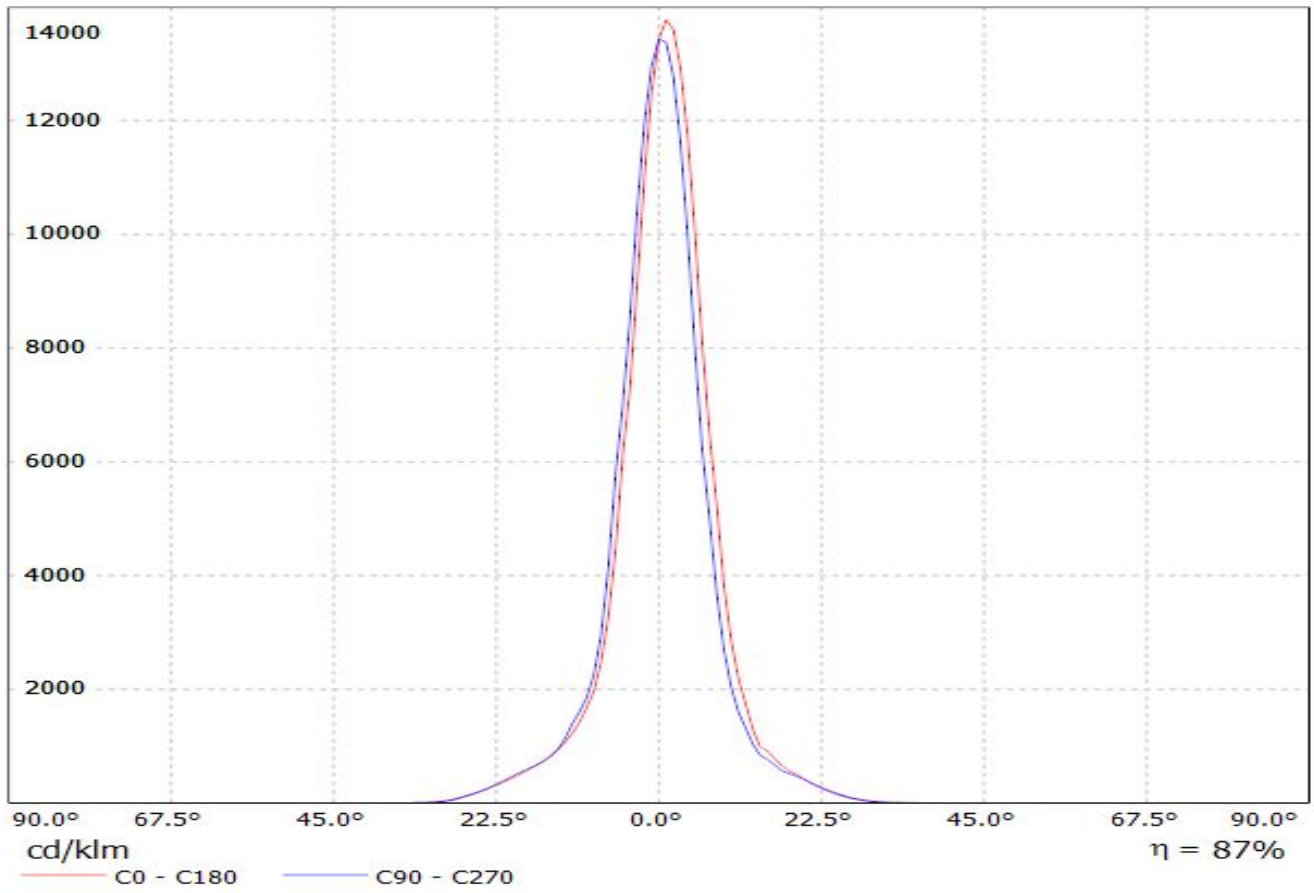
-

SCALE 1:1 WEIGHT 7,60 g SHEET 1/1

D

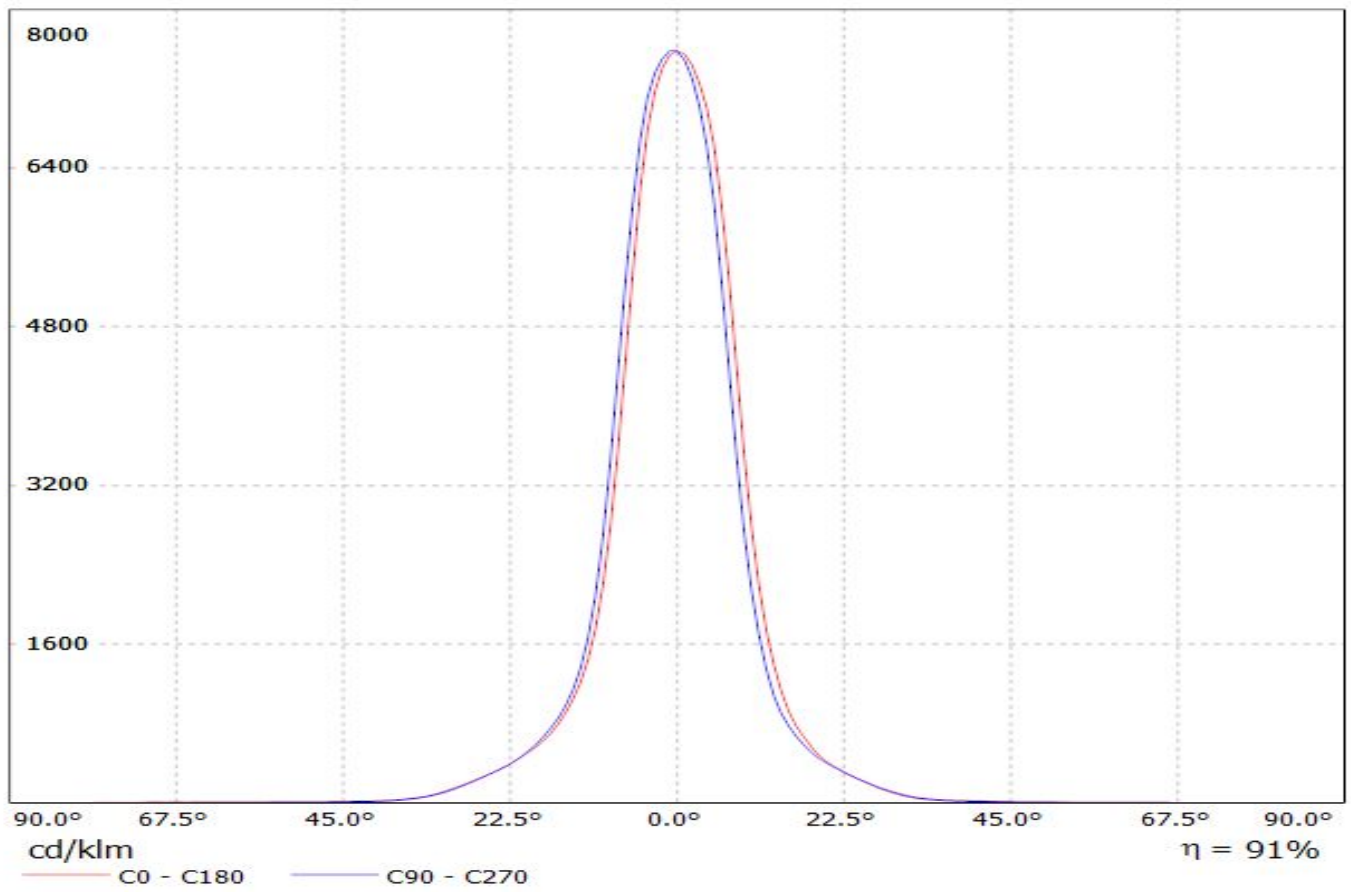
A

Luminaire: Ledil Oy
Lamps: 1 x

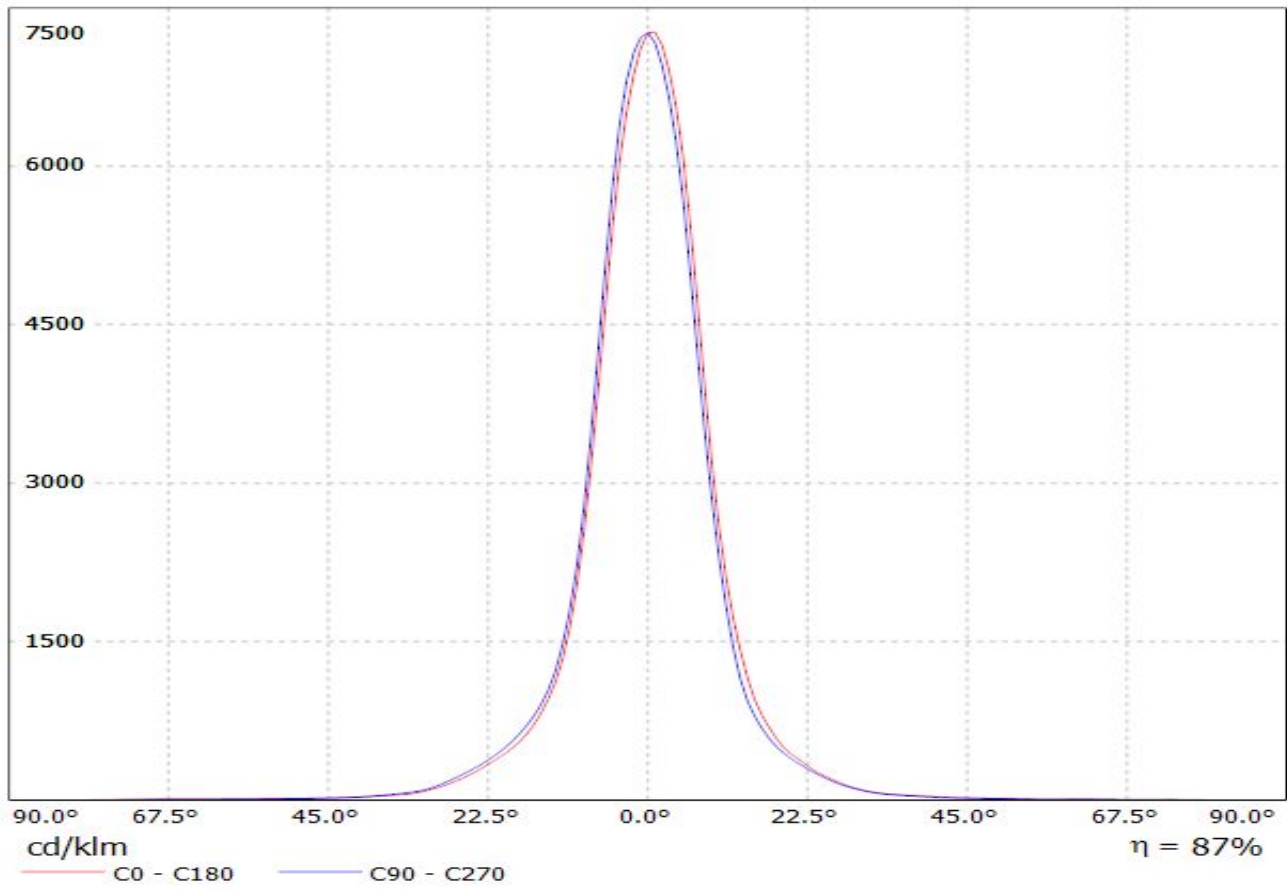


Luminaire: Ledil Oy C13483 ANNA-40-7-S

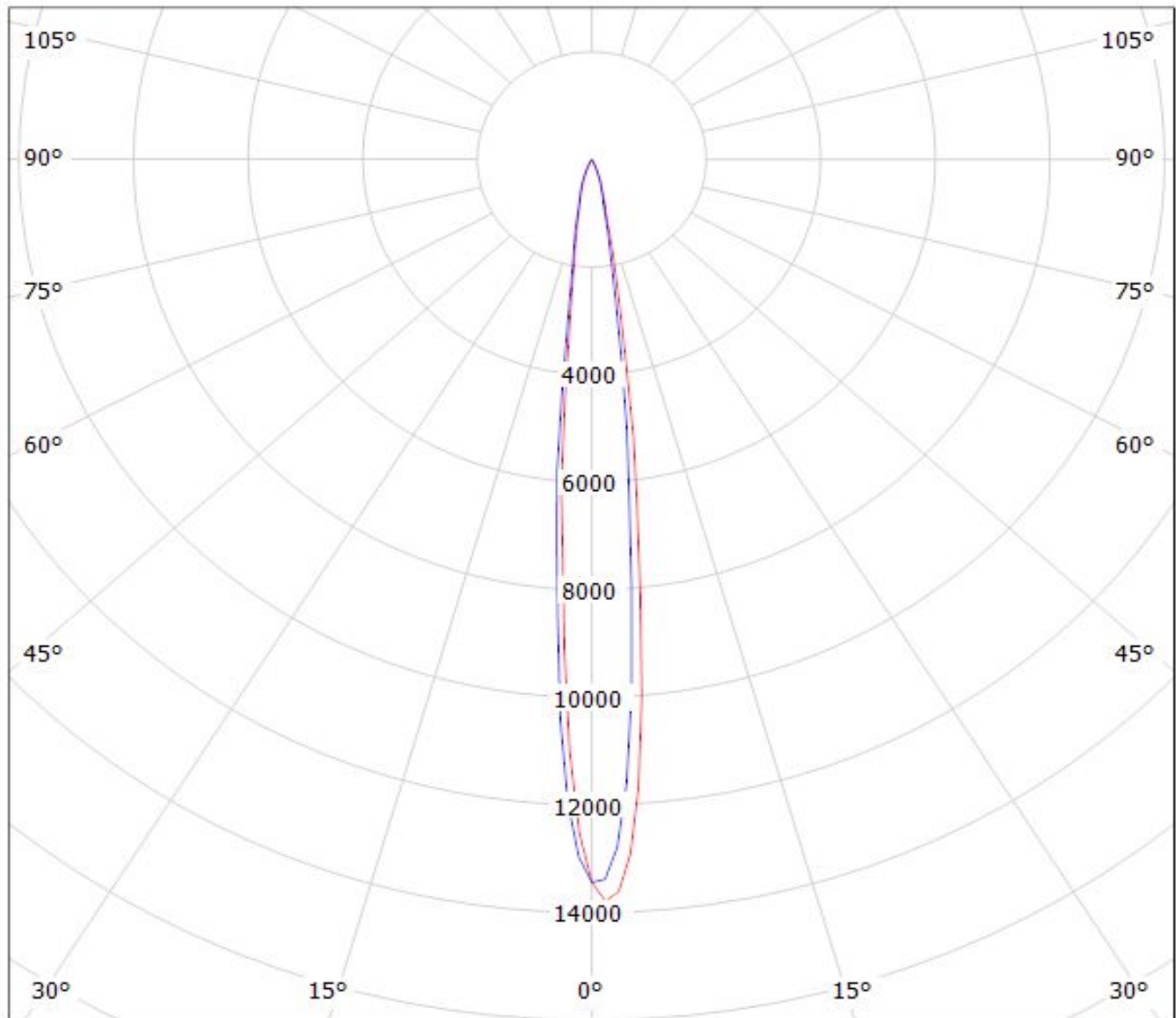
Lamps: 1 x CREE XP-G2 XPGBWT-L1-0000-00FE4 697lm@250mA



Luminaire: Ledil Oy C13483_ANNA-40-7-S
Lamps: 1 x CREE XT-E AWT 720lm@250mA



Luminaire: Ledil Oy
Lamps: 1 x



cd/klm

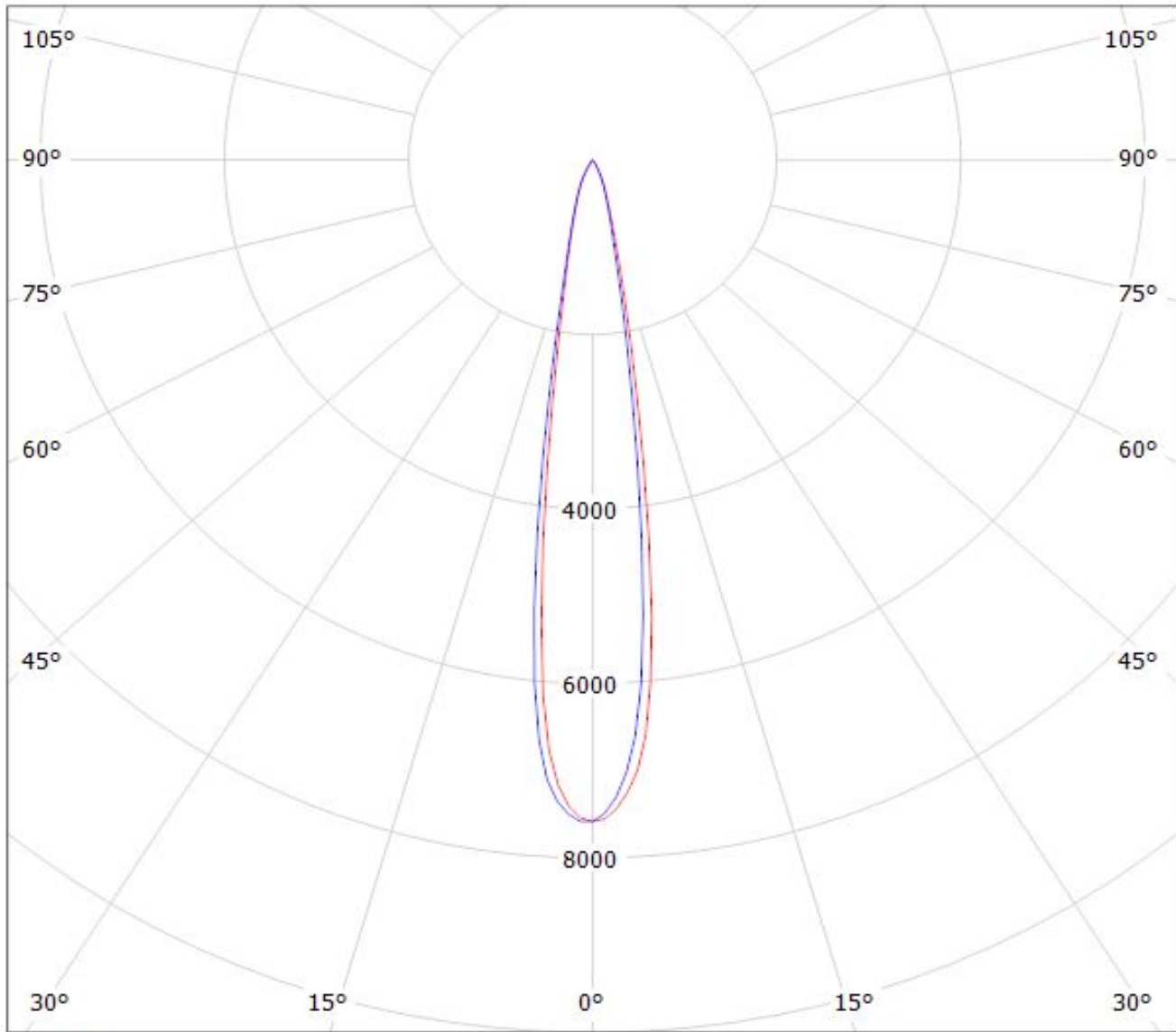
— C0 - C180

— C90 - C270

$\eta = 87\%$

Luminaire: Ledil Oy C13483_ANNA-40-7-S

Lamps: 1 x CREE XP-G2 XPGBWT-L1-0000-00FE4 697lm@250mA



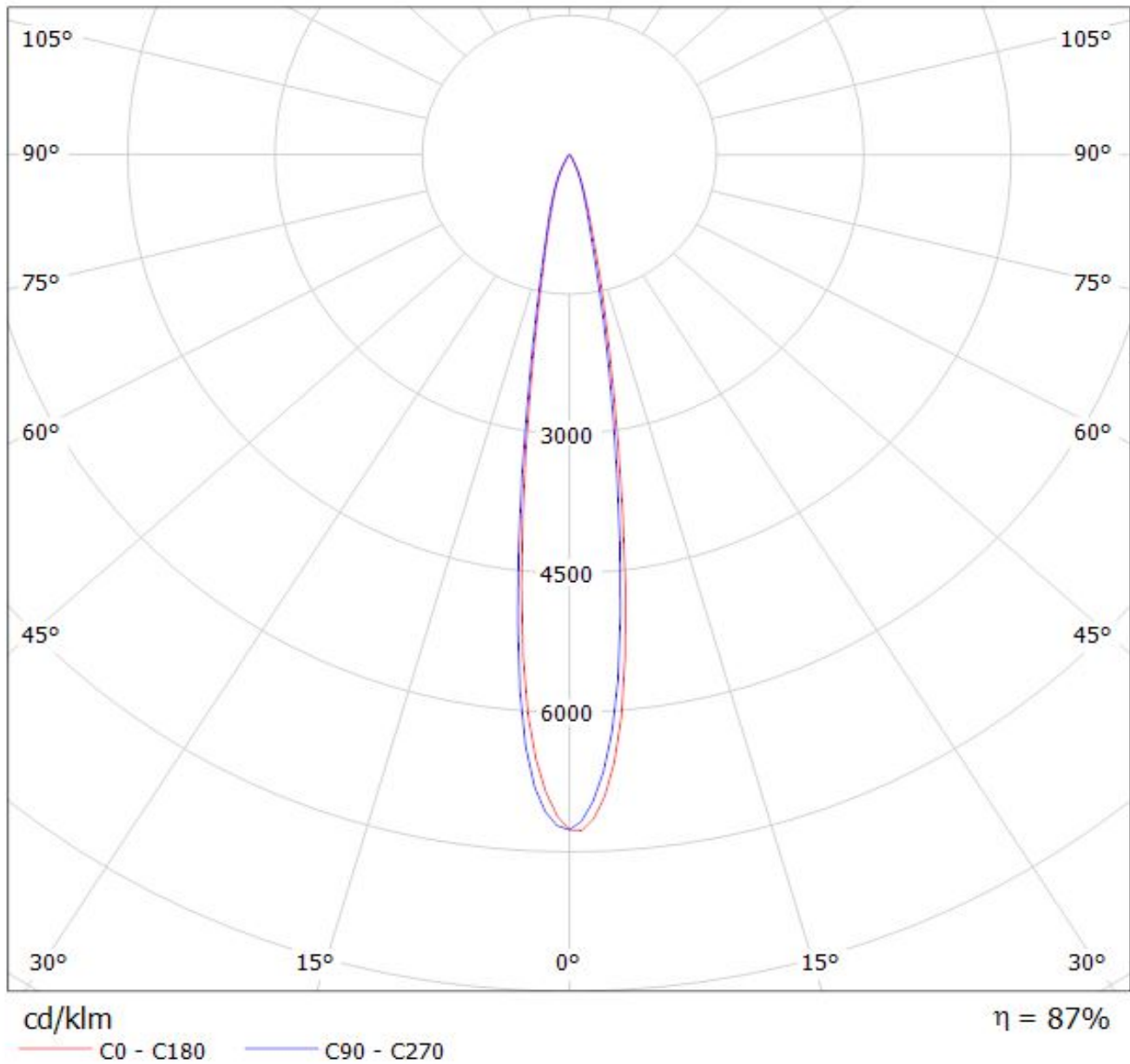
cd/klm

— C0 - C180

— C90 - C270

$\eta = 91\%$

Luminaire: Ledil Oy C13483_ANNA-40-7-S
Lamps: 1 x CREE XT-E AWT 720lm@250mA



NOTE: The typical divergence will be changed by different color, chip size and chip position tolerance. The typical total divergence is the full angle measured where the luminous intensity is half of the peak value.