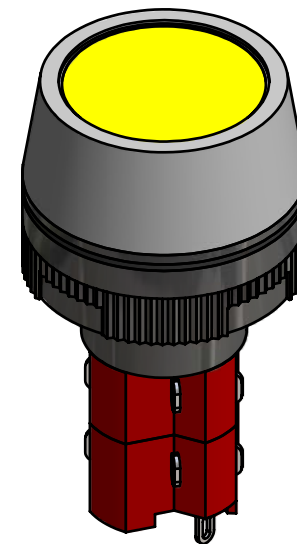
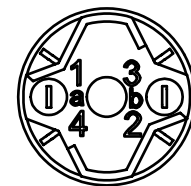
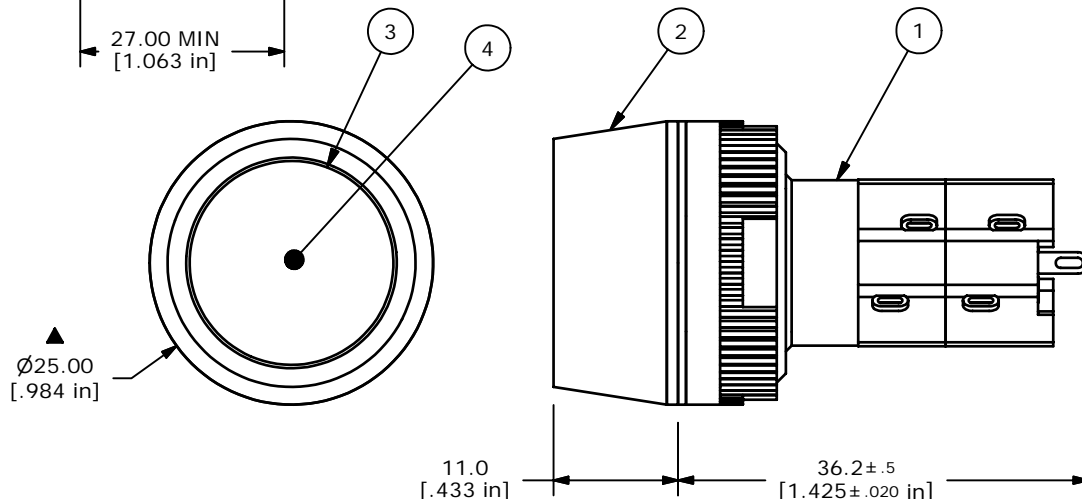
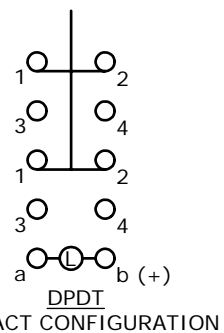
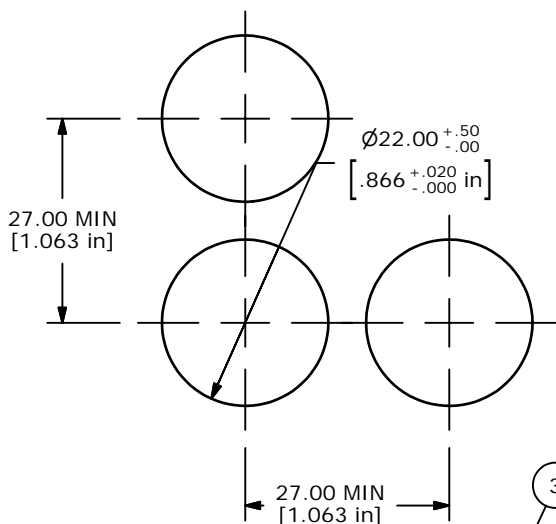


ITEM	QTY	PART NUMBER	DESCRIPTION
1	1	F060607	LASOAV12
2	1	F051702	25MM RING FOR LA SERIES
3	1	F060206	25MM YELLOW LENS
4	1	F050418	50-004-16 6VDC LED YELLOW



ISOMETRIC

- NOTE:
1. ALL DIMENSIONS IN MM [INCH]
  2. GENERAL TOLERANCE: X.X=±0.4  
X.XX=±0.25
  3. TERMINAL NUMBERS FOR REF ONLY
  4. RATING: 5 AMPS @ 250VAC UL, VDE APPROVED  
6 AMPS @ 240VDC UL, VDE APPROVED
  5. ELECTRIC LIFE: 50,000 MAKE-AND-BREAK CYCLES AT FULL LOAD.
  6. INSULATION RESISTANCE: 1,000 MEGA-OHM MIN.
  7. OPERATING TEMP.: -25°C to 55°C
  - ▲ 8. LAMP VOLTAGE: 6VDC LED YELLOW
  - ▲ 9. ▲ DENOTES CRITICAL PARAMETER.



A	15722	RELEASED FOR PRODUCTION	2/6/06	PH
REV	PCR NO	DESCRIPTION	DATE	BY

THE INFORMATION CONTAINED IN THIS DOCUMENT IS PROPRIETARY TO E-SWITCH AND IS NOT TO BE COPIED OR TRANSFERRED

TITLE LASOAV12HYELYEL				
SCALE	DATE	DR	DWG	REV
1.5:1	2/9/2006	PH	XF0669P	A