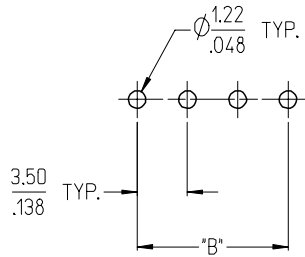
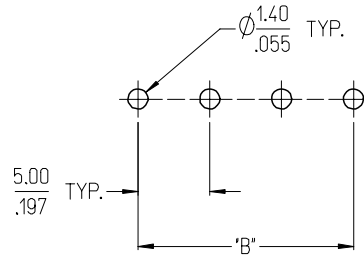


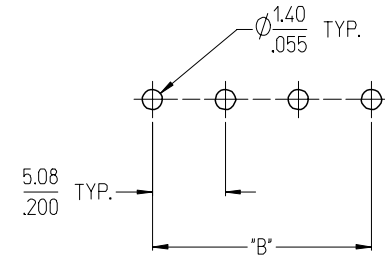
3950X SERIES
3.50mm HEADERS



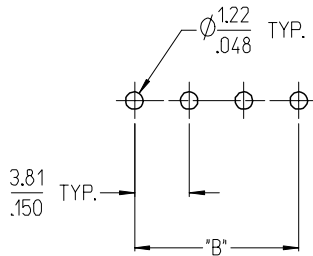
3952X & 3954X SERIES
5.00mm HEADERS
5.00mm 10 AMP FIXED



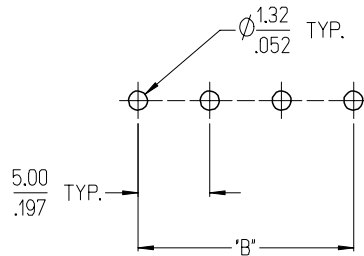
3953X SERIES
5.08mm HEADERS



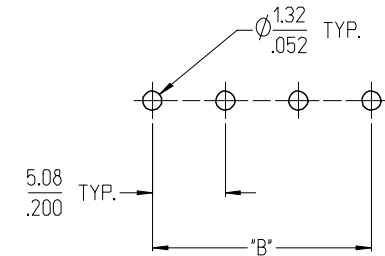
3951X SERIES
3.81mm HEADERS



3954X SERIES
5.00mm 15 AMP FIXED



3954X SERIES
5.08mm 15 AMP FIXED



NOTES:

- REFER TO INDIVIDUAL PRODUCT SALES DRAWINGS FOR "B" DIMENSION.
- DOES NOT APPLY TO DUAL LEVEL HEADERS, SERIES 39528 AND 39538.
- TYP. = TYPICAL.

INITIAL RELEASE
EC NO: ETC2007-0096
DRWN: CLYORK 2006/10/02
CHKD: JMACNEIL 2006/10/04
APPR: JMACNEIL 2006/10/04

QUALITY SYMBOLS
 = 0
 = 0.05
 DESCRIPTION
 REV

GENERAL TOLERANCES (UNLESS SPECIFIED)	
	MM/INCH
4 PLACES	± --- ± ---
3 PLACES	± --- ± .005
2 PLACES	± 0.13 ± .01
1 PLACE	± 0.3 ± ---
ANGULAR ± 2 °	
DRAFT WHERE APPLICABLE MUST REMAIN WITHIN DIMENSIONS	

DIMENSION STYLE	
MM/IN	
DRAWN BY	DATE
C. YORK	2006/08/25
CHECKED BY	DATE
J. MACNEIL	2006/08/25
APPROVED BY	DATE
J. MACNEIL	2006/08/25
MATERIAL NO.	
--	

SCALE	DESIGN UNITS	THIRD ANGLE PROJECTION
3:1	INCH	
TITLE		
RECOMMENDED PCB LAYOUT FOR ESE TERMINAL BLOCKS		
MOLEX INCORPORATED		
DOCUMENT NO.	SHEET NO.	
SD-39501-002	1 OF 1	
THIS DRAWING CONTAINS INFORMATION THAT IS PROPRIETARY TO MOLEX INCORPORATED AND SHOULD NOT BE USED WITHOUT WRITTEN PERMISSION		

10 9 8 7 6 5 4 3 2 1

F

E

D

C

B

A

F

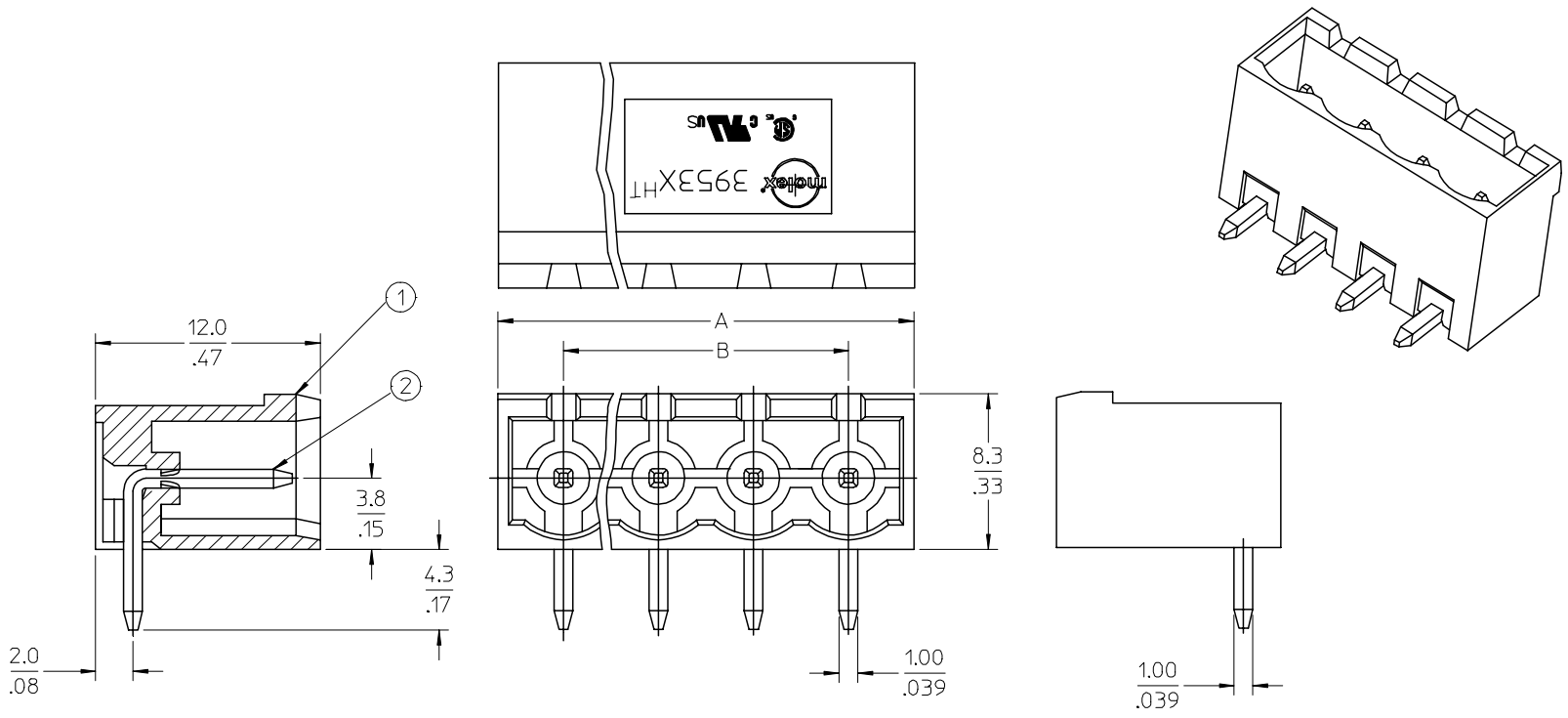
E

D

C

B

A



SPECIFICATIONS:

- 1. Material:
 - (1). Body: PA46
 - (2). Pin: Brass
- 2. Wire range: N/A
- 3. Electrical rating: 300V, 15A.
- 4. Wire strip length: N/A
- 5. Operating temperature: -40C to +140C.
- 6. Max torque: N/A
- 7. Insulation resistance: DC 500V, 500M.
- 8. Dielectric withstand: AC 2500V for 1 minute.
- 9. Breakdown voltage: 4000V.
- 10. $A = (N \times P) + 2.0\text{mm}$
- 11. $B = (N - 1) \times P$
- 12. P (PITCH) = 5.08mm (.200").
- 13. N = Number of positions available 2 through 24.

RELEASED EC NO: NEC2006-0310 DRWNLROTHAUS 2006/01/09 CHKDCYORK 2006/01/09 APPR:JPAMLI CK 2006/01/10	DESCRIPTION QUALITY SYMBOLS ▽=0 ▽=0	GENERAL TOLERANCES (UNLESS SPECIFIED)		DIMENSION STYLE MM/IN		SCALE 4:1	DESIGN UNITS INCH	THIRD ANGLE PROJECTION
		4 PLACES ± --- ±.0015 3 PLACES ±0.038 ±.005 2 PLACES ±0.13 ±.01 1 PLACE ±0.3 ± ---	DRAWN BY L.ROTHAUS	DATE 12/29/05	TITLE 5.08MM, EURO HEADER, RIGHT ANGLE, HI-TEMP			
		ANGULAR ± 2 °	CHECKED BY C. YORK	DATE 01/05/06				
		DRAFT WHERE APPLICABLE MUST REMAIN WITHIN DIMENSIONS	APPROVED BY	DATE	MOLEX INCORPORATED			
A	REV	MATERIAL NO. SEE SHT.2	DOCUMENT NO. SD-39532-001	SHEET NO. 1 OF 1				
SIZE B		THIS DRAWING CONTAINS INFORMATION THAT IS PROPRIETARY TO MOLEX INCORPORATED AND SHOULD NOT BE USED WITHOUT WRITTEN PERMISSION						

9 8 7 6 5 4 3 2 1

10 9 8 7 6 5 4 3 2 1

F

E

D

C

B

A

F

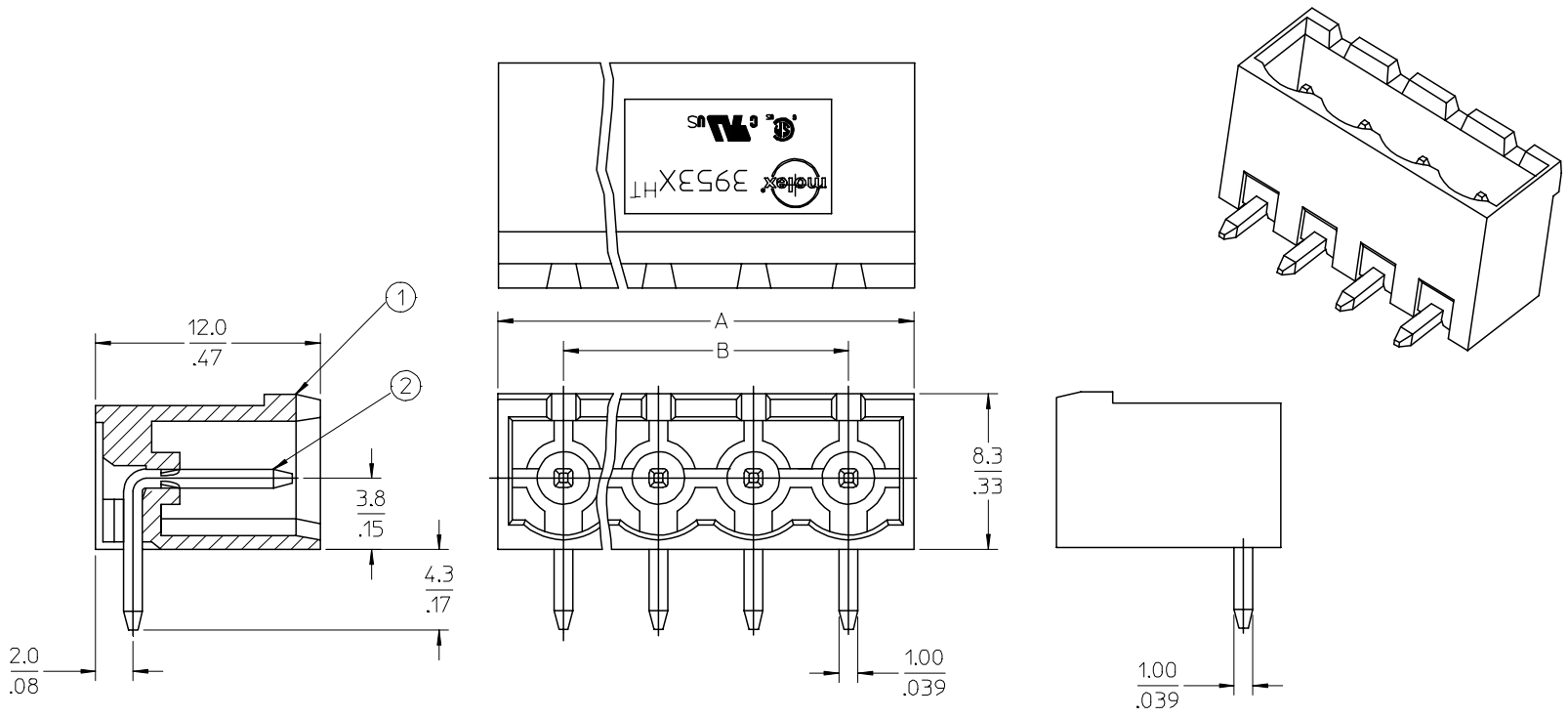
E

D

C

B

A



SPECIFICATIONS:

- 1. Material:
 - (1). Body: PA46
 - (2). Pin: Brass
- 2. Wire range: N/A
- 3. Electrical rating: 300V, 15A.
- 4. Wire strip length: N/A
- 5. Operating temperature: -40C to +140C.
- 6. Max torque: N/A
- 7. Insulation resistance: DC 500V, 500M.
- 8. Dielectric withstand: AC 2500V for 1 minute.
- 9. Breakdown voltage: 4000V.
- 10. $A = (N \times P) + 2.0\text{mm}$
- 11. $B = (N - 1) \times P$
- 12. P (PITCH) = 5.08mm (.200").
- 13. N = Number of positions available 2 through 24.

RELEASED EC NO: NEC2006-0310 DRWNLROTHAUS 2006/01/09 CHKDCYORK 2006/01/09 APPR:JPAMLLCK 2006/01/10	DESCRIPTION QUALITY SYMBOLS ▽=0 ▽=0	GENERAL TOLERANCES (UNLESS SPECIFIED)		DIMENSION STYLE MM/IN		SCALE 4:1	DESIGN UNITS INCH	THIRD ANGLE PROJECTION
		4 PLACES ± --- ±.0015	3 PLACES ±0.038 ±.005	DRAWN BY L.ROTHAUS	DATE 12/29/05	TITLE 5.08MM, EURO HEADER, RIGHT ANGLE, HI-TEMP		
		2 PLACES ±0.13 ±.01	1 PLACE ±0.3 ± ---	CHECKED BY C. YORK	DATE 01/05/06			
		ANGULAR ± 2 °		APPROVED BY	DATE	MOLEX INCORPORATED		
DRAFT WHERE APPLICABLE MUST REMAIN WITHIN DIMENSIONS		MATERIAL NO. SEE SHT.2	DOCUMENT NO. SD-39532-001	SHEET NO. 1 OF 1				
		SIZE B	THIS DRAWING CONTAINS INFORMATION THAT IS PROPRIETARY TO MOLEX INCORPORATED AND SHOULD NOT BE USED WITHOUT WRITTEN PERMISSION					

9 8 7 6 5 4 3 2 1

Description	Circuit size	Material Numbers												Dimensional Information				
		Black						Green										
		100% Tin			30 u" Gold			100% Tin			30 u" Gold			Dim. A		Dim B		
		Printing Options			Printing Options			Printing Options			Printing Options							
None	10A	11A	None	10A	11A	None	10A	11A	None	10A	11A	None	10A	11A	mm	inch	mm	inch
5.08mm, Euro Header, Right Angle, High Temp	2	395324002	395324102	395324202	395324502	395324602	395324702	395329002	395329102	395329202	395329502	395329602	395329702	12.16	0.479	5.08	0.200	
5.08mm, Euro Header, Right Angle, High Temp	3	395324003	395324103	395324203	395324503	395324603	395324703	395329003	395329103	395329203	395329503	395329603	395329703	17.24	0.679	10.16	0.400	
5.08mm, Euro Header, Right Angle, High Temp	4	395324004	395324104	395324204	395324504	395324604	395324704	395329004	395329104	395329204	395329504	395329604	395329704	22.32	0.879	15.24	0.600	
5.08mm, Euro Header, Right Angle, High Temp	5	395324005	395324105	395324205	395324505	395324605	395324705	395329005	395329105	395329205	395329505	395329605	395329705	27.40	1.079	20.32	0.800	
5.08mm, Euro Header, Right Angle, High Temp	6	395324006	395324106	395324206	395324506	395324606	395324706	395329006	395329106	395329206	395329506	395329606	395329706	32.48	1.279	25.40	1.000	
5.08mm, Euro Header, Right Angle, High Temp	7	395324007	395324107	395324207	395324507	395324607	395324707	395329007	395329107	395329207	395329507	395329607	395329707	37.56	1.479	30.48	1.200	
5.08mm, Euro Header, Right Angle, High Temp	8	395324008	395324108	395324208	395324508	395324608	395324708	395329008	395329108	395329208	395329508	395329608	395329708	42.64	1.679	35.56	1.400	
5.08mm, Euro Header, Right Angle, High Temp	9	395324009	395324109	395324209	395324509	395324609	395324709	395329009	395329109	395329209	395329509	395329609	395329709	47.72	1.879	40.64	1.600	
5.08mm, Euro Header, Right Angle, High Temp	10	395324010	395324110	395324210	395324510	395324610	395324710	395329010	395329110	395329210	395329510	395329610	395329710	52.80	2.079	45.72	1.800	
5.08mm, Euro Header, Right Angle, High Temp	11	395324011	395324111	395324211	395324511	395324611	395324711	395329011	395329111	395329211	395329511	395329611	395329711	57.88	2.279	50.80	2.000	
5.08mm, Euro Header, Right Angle, High Temp	12	395324012	395324112	395324212	395324512	395324612	395324712	395329012	395329112	395329212	395329512	395329612	395329712	62.96	2.479	55.88	2.200	
5.08mm, Euro Header, Right Angle, High Temp	13	395324013	395324113	395324213	395324513	395324613	395324713	395329013	395329113	395329213	395329513	395329613	395329713	68.04	2.679	60.96	2.400	
5.08mm, Euro Header, Right Angle, High Temp	14	395324014	395324114	395324214	395324514	395324614	395324714	395329014	395329114	395329214	395329514	395329614	395329714	73.12	2.879	66.04	2.600	
5.08mm, Euro Header, Right Angle, High Temp	15	395324015	395324115	395324215	395324515	395324615	395324715	395329015	395329115	395329215	395329515	395329615	395329715	78.20	3.079	71.12	2.800	
5.08mm, Euro Header, Right Angle, High Temp	16	395324016	395324116	395324216	395324516	395324616	395324716	395329016	395329116	395329216	395329516	395329616	395329716	83.28	3.279	76.20	3.000	
5.08mm, Euro Header, Right Angle, High Temp	17	395324017	395324117	395324217	395324517	395324617	395324717	395329017	395329117	395329217	395329517	395329617	395329717	88.36	3.479	81.28	3.200	
5.08mm, Euro Header, Right Angle, High Temp	18	395324018	395324118	395324218	395324518	395324618	395324718	395329018	395329118	395329218	395329518	395329618	395329718	93.44	3.679	86.36	3.400	
5.08mm, Euro Header, Right Angle, High Temp	19	395324019	395324119	395324219	395324519	395324619	395324719	395329019	395329119	395329219	395329519	395329619	395329719	98.52	3.879	91.44	3.600	
5.08mm, Euro Header, Right Angle, High Temp	20	395324020	395324120	395324220	395324520	395324620	395324720	395329020	395329120	395329220	395329520	395329620	395329720	103.60	4.079	96.52	3.800	
5.08mm, Euro Header, Right Angle, High Temp	21	395324021	395324121	395324221	395324521	395324621	395324721	395329021	395329121	395329221	395329521	395329621	395329721	108.68	4.279	101.60	4.000	
5.08mm, Euro Header, Right Angle, High Temp	22	395324022	395324122	395324222	395324522	395324622	395324722	395329022	395329122	395329222	395329522	395329622	395329722	113.76	4.479	106.68	4.200	
5.08mm, Euro Header, Right Angle, High Temp	23	395324023	395324123	395324223	395324523	395324623	395324723	395329023	395329123	395329223	395329523	395329623	395329723	118.84	4.679	111.76	4.400	
5.08mm, Euro Header, Right Angle, High Temp	24	395324024	395324124	395324224	395324524	395324624	395324724	395329024	395329124	395329224	395329524	395329624	395329724	123.92	4.879	116.84	4.600	

SEE SHEET 1 EC NO: NEC2006-0310 DRWNL: LROTHAUS 2006/01/09 CHKD: C.YORK 2006/01/09 APPR: J.PAMLICK 2006/01/10	QUALITY SYMBOLS ▽=0 ▽=0	GENERAL TOLERANCES (UNLESS SPECIFIED)		DIMENSION STYLE		SCALE	DESIGN UNITS	THIRD ANGLE PROJECTION
				MM/IN		4:1	INCH	
				DRAWN BY DATE		TITLE		
				CHECKED BY DATE		MOLEX INCORPORATED		
		APPROVED BY DATE		MATERIAL NO.		DOCUMENT NO.		SHEET NO.
		ANGULAR ± 2 °		SEE CHART		SD-39532-001		2 OF 2
		DRAFT WHERE APPLICABLE MUST REMAIN WITHIN DIMENSIONS		SIZE B		THIS DRAWING CONTAINS INFORMATION THAT IS PROPRIETARY TO MOLEX INCORPORATED AND SHOULD NOT BE USED WITHOUT WRITTEN PERMISSION		

Description	Circuit size	Material Numbers												Dimensional Information			
		Black						Green						Dim. A		Dim B	
		100% Tin			30 u" Gold			100% Tin			30 u" Gold						
		Printing Options			Printing Options			Printing Options			Printing Options						
None	10A	11A	None	10A	11A	None	10A	11A	None	10A	11A	mm	inch	mm	inch		
5.08mm, Euro Header, Right Angle, High Temp	2	395324002	395324102	395324202	395324502	395324602	395324702	395329002	395329102	395329202	395329502	395329602	395329702	12.16	0.479	5.08	0.200
5.08mm, Euro Header, Right Angle, High Temp	3	395324003	395324103	395324203	395324503	395324603	395324703	395329003	395329103	395329203	395329503	395329603	395329703	17.24	0.679	10.16	0.400
5.08mm, Euro Header, Right Angle, High Temp	4	395324004	395324104	395324204	395324504	395324604	395324704	395329004	395329104	395329204	395329504	395329604	395329704	22.32	0.879	15.24	0.600
5.08mm, Euro Header, Right Angle, High Temp	5	395324005	395324105	395324205	395324505	395324605	395324705	395329005	395329105	395329205	395329505	395329605	395329705	27.40	1.079	20.32	0.800
5.08mm, Euro Header, Right Angle, High Temp	6	395324006	395324106	395324206	395324506	395324606	395324706	395329006	395329106	395329206	395329506	395329606	395329706	32.48	1.279	25.40	1.000
5.08mm, Euro Header, Right Angle, High Temp	7	395324007	395324107	395324207	395324507	395324607	395324707	395329007	395329107	395329207	395329507	395329607	395329707	37.56	1.479	30.48	1.200
5.08mm, Euro Header, Right Angle, High Temp	8	395324008	395324108	395324208	395324508	395324608	395324708	395329008	395329108	395329208	395329508	395329608	395329708	42.64	1.679	35.56	1.400
5.08mm, Euro Header, Right Angle, High Temp	9	395324009	395324109	395324209	395324509	395324609	395324709	395329009	395329109	395329209	395329509	395329609	395329709	47.72	1.879	40.64	1.600
5.08mm, Euro Header, Right Angle, High Temp	10	395324010	395324110	395324210	395324510	395324610	395324710	395329010	395329110	395329210	395329510	395329610	395329710	52.80	2.079	45.72	1.800
5.08mm, Euro Header, Right Angle, High Temp	11	395324011	395324111	395324211	395324511	395324611	395324711	395329011	395329111	395329211	395329511	395329611	395329711	57.88	2.279	50.80	2.000
5.08mm, Euro Header, Right Angle, High Temp	12	395324012	395324112	395324212	395324512	395324612	395324712	395329012	395329112	395329212	395329512	395329612	395329712	62.96	2.479	55.88	2.200
5.08mm, Euro Header, Right Angle, High Temp	13	395324013	395324113	395324213	395324513	395324613	395324713	395329013	395329113	395329213	395329513	395329613	395329713	68.04	2.679	60.96	2.400
5.08mm, Euro Header, Right Angle, High Temp	14	395324014	395324114	395324214	395324514	395324614	395324714	395329014	395329114	395329214	395329514	395329614	395329714	73.12	2.879	66.04	2.600
5.08mm, Euro Header, Right Angle, High Temp	15	395324015	395324115	395324215	395324515	395324615	395324715	395329015	395329115	395329215	395329515	395329615	395329715	78.20	3.079	71.12	2.800
5.08mm, Euro Header, Right Angle, High Temp	16	395324016	395324116	395324216	395324516	395324616	395324716	395329016	395329116	395329216	395329516	395329616	395329716	83.28	3.279	76.20	3.000
5.08mm, Euro Header, Right Angle, High Temp	17	395324017	395324117	395324217	395324517	395324617	395324717	395329017	395329117	395329217	395329517	395329617	395329717	88.36	3.479	81.28	3.200
5.08mm, Euro Header, Right Angle, High Temp	18	395324018	395324118	395324218	395324518	395324618	395324718	395329018	395329118	395329218	395329518	395329618	395329718	93.44	3.679	86.36	3.400
5.08mm, Euro Header, Right Angle, High Temp	19	395324019	395324119	395324219	395324519	395324619	395324719	395329019	395329119	395329219	395329519	395329619	395329719	98.52	3.879	91.44	3.600
5.08mm, Euro Header, Right Angle, High Temp	20	395324020	395324120	395324220	395324520	395324620	395324720	395329020	395329120	395329220	395329520	395329620	395329720	103.60	4.079	96.52	3.800
5.08mm, Euro Header, Right Angle, High Temp	21	395324021	395324121	395324221	395324521	395324621	395324721	395329021	395329121	395329221	395329521	395329621	395329721	108.68	4.279	101.60	4.000
5.08mm, Euro Header, Right Angle, High Temp	22	395324022	395324122	395324222	395324522	395324622	395324722	395329022	395329122	395329222	395329522	395329622	395329722	113.76	4.479	106.68	4.200
5.08mm, Euro Header, Right Angle, High Temp	23	395324023	395324123	395324223	395324523	395324623	395324723	395329023	395329123	395329223	395329523	395329623	395329723	118.84	4.679	111.76	4.400
5.08mm, Euro Header, Right Angle, High Temp	24	395324024	395324124	395324224	395324524	395324624	395324724	395329024	395329124	395329224	395329524	395329624	395329724	123.92	4.879	116.84	4.600

SEE SHEET 1 EC NO: NEC2006-0310 2006/01/09 (DRAWN) LROTHAUS 2006/01/09 (CHKD) CYORK (APPR) J.P.A.M.L.I.C.K. 2006/01/10	QUALITY SYMBOLS ▽=0 ▽=0	GENERAL TOLERANCES (UNLESS SPECIFIED) mm INCH 4 PLACES ± --- ±.0015 3 PLACES ±0.038 ±.005 2 PLACES ±0.13 ±.01 1 PLACE ±0.3 ± --- ANGULAR ± 2 °	DIMENSION STYLE MM/IN DRAWN BY DATE LROTHAUS 12/6/05 CHECKED BY DATE C. YORK 01/05/06 APPROVED BY DATE	SCALE 4:1 DESIGN UNITS INCH THIRD ANGLE PROJECTION	TITLE 5.08MM, EURO HEADER, RIGHT ANGLE HI-TEMP	
	MATERIAL NO. SEE CHART	DOCUMENT NO. SD-39532-001	SHEET NO. 2 OF 2			
	DRAFT WHERE APPLICABLE MUST REMAIN WITHIN DIMENSIONS			MOLEX INCORPORATED		
	THIS DRAWING CONTAINS INFORMATION THAT IS PROPRIETARY TO MOLEX INCORPORATED AND SHOULD NOT BE USED WITHOUT WRITTEN PERMISSION					