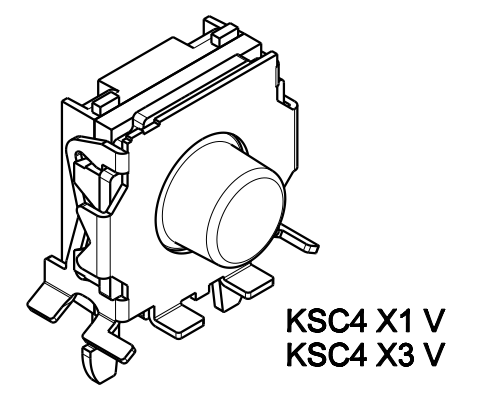
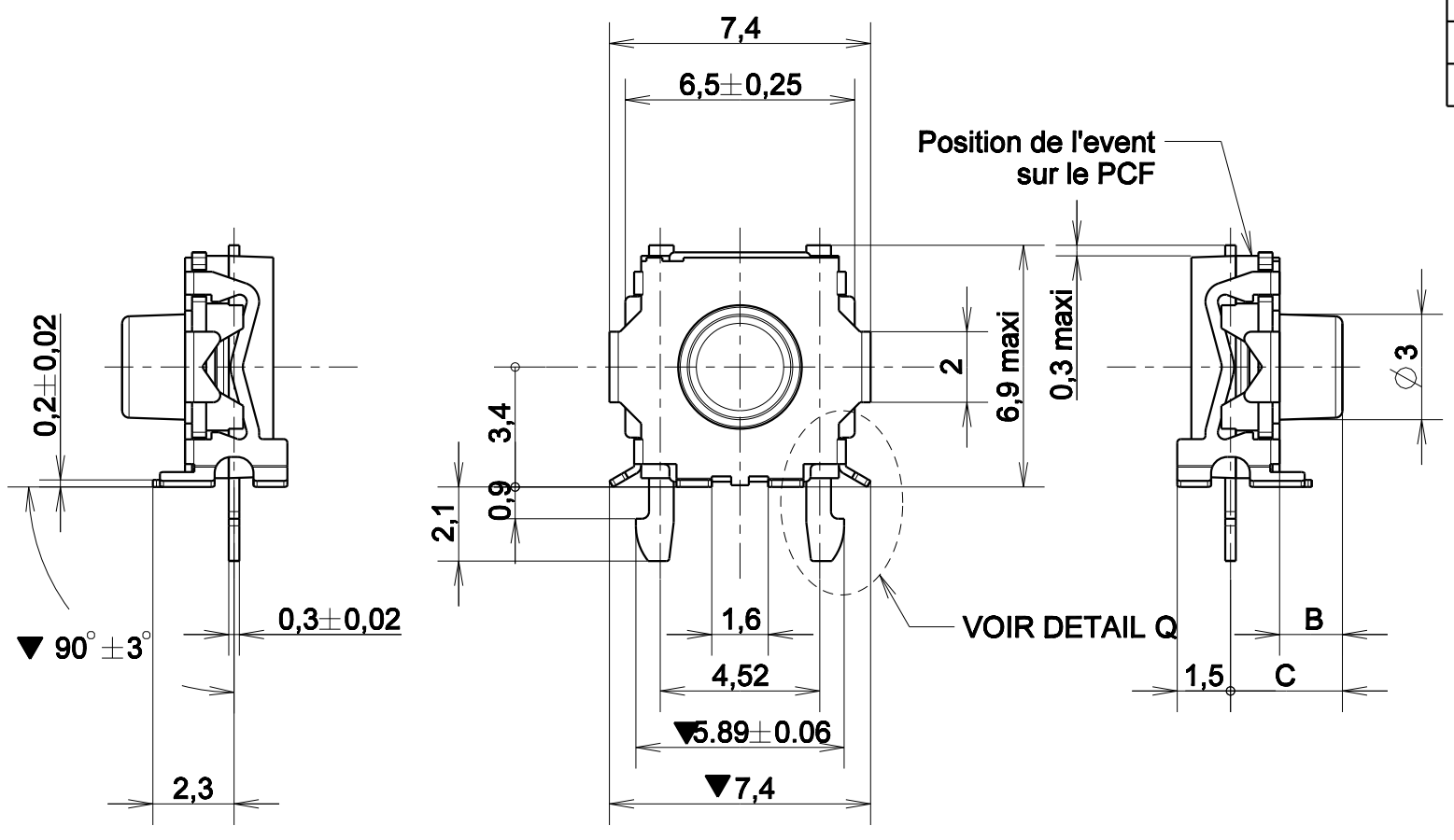
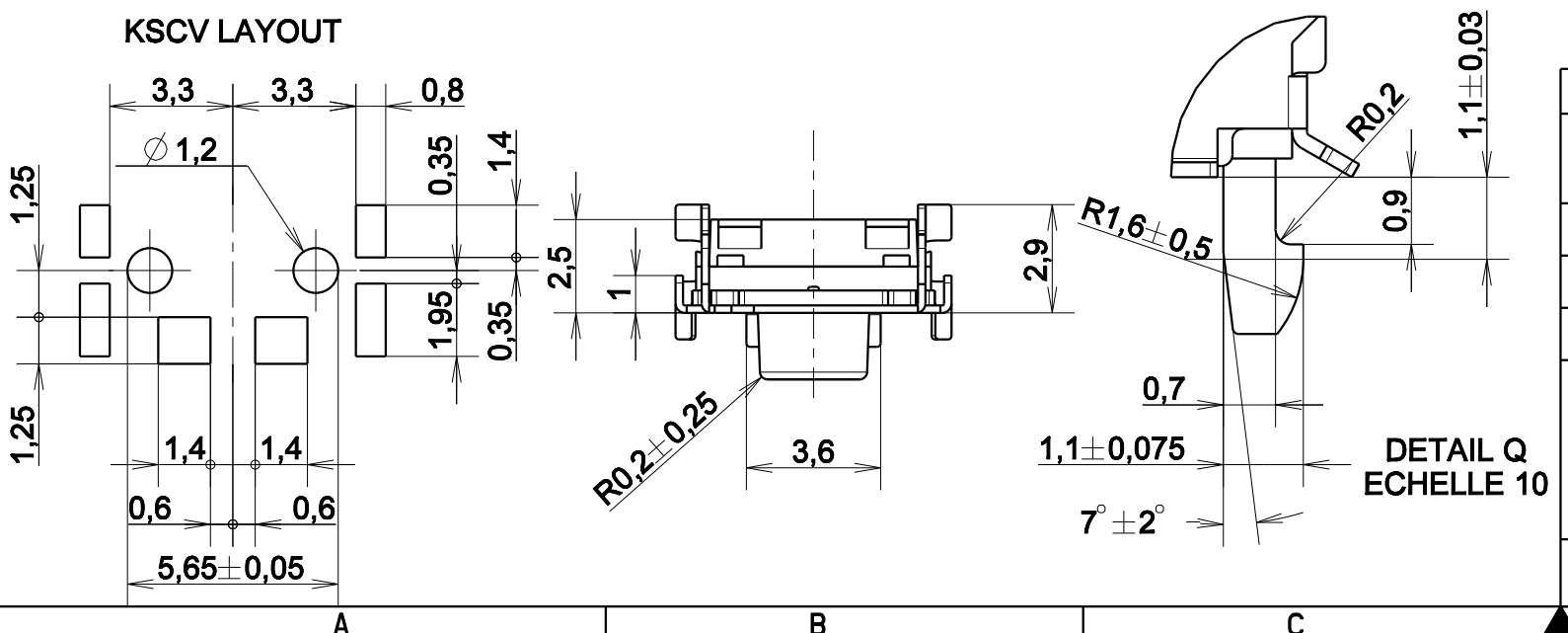


| REV. | N° DCR | NATURE DE LA MODIFICATION | DATE | VISA |
|------|----------|--|------------|------|
| H | Z 182 | Changement de references cloques | 21/11/2002 | L_B |
| J | CREATION | Creation des references " Lead free " | 24/06/2005 | L_B |
| K | D2000372 | Deflection KSC 421/2V passe de 0.5 ± 0.25 a 0.375 ± 0.225 | 20/09/2005 | V_P |
| L | D2000374 | Creation des ref LFG et separation des ref LFT dans un nouveau plan master 31 M4V 704 FP | 03/10/2005 | L_B |
| M | D2000499 | KSCV layout . Correction valeur delta $\pm 15\%$ \Rightarrow ± 15 | 27/01/2006 | L_B |
| N | ECR-414 | suppression des 6 references KSC44X | 29/05/2006 | L_B |
| P | ECR-3451 | Suppression ref Y31A24442FP LFG ; Y31A22442FP et Y31A22442FP LFS | 01/09/2010 | G_P |
| Q | ECR-5702 | Suppression des versions non LF | 01/03/2012 | L_B |

| REFERENCE | DESIGNATION | B | C | ▼Fa (N) | | ▼Fr (N) | ▼△% ± 15 | ▼meca&elec deflection (mm) |
|-----------------|----------------------------|------|------|---------|------|---------|----------|----------------------------|
| | | | | Mini | Maxi | | | |
| Y31A21443FP LFS | KSC4 21 V 30° act 3,17 LFS | 1,78 | 3,17 | | | | | |
| Y31A21442FP LFS | KSC4 21 V 30° act 2,95 LFS | 1,56 | 2,95 | 1,3 | 2,1 | ≥0,4 | 35 | 0,375±0,225 |
| Y31A23443FP LFG | KSC4 23 V 30° act 3,17 LFG | 1,78 | 3,17 | | | | | |
| Y31A23442FP LFG | KSC4 23 V 30° act 2,95 LFG | 1,56 | 2,95 | | | | | |



SYSTEM CONFIDENTIAL



| MATERIAL / VOLUME | TREATMENT | PROTECTION |
|---|--|---|
| UNLESS OTHERWISE : - DIMENSIONS GIVEN BEFORE PROTECTION - BURRS AND SHARP EDGES DELETED | ANGULAR TOLERANCE $\pm 1^\circ$ LINEAR TOLERANCE $\pm 0,13$ SURFACE FINISH R_a | CRITICAL DIMENSIONS $\nabla 7$ SPC DIMENSIONS $\nabla 0$ |
| CREATE BY BOUVIER_L DATE 23-06-2000 | MODIFICATION see revision table on the first sheet | REPLACE |
| CHECKED BY . DATE . | FILENAME 31_M4V_701_CU_GVWWD9 | FOLDER Dossier racine/dole_south_rd/ksc/standard/produit |
| APPROVED BY . DATE . | PART DESCRIPTION | |
| C&K Components BP 359 - 39105 Dole - FRANCE - | SCALE 5,00 SIZE SHEET A3 1 / 1 | KSC4 V 30° KSC4 V 30° LFG & LFS act 2,95 white . act 3,17 black PART NUMBER REV CU 31M4V701FP Q |

CE PLAN EST LA PROPRIETE DE CBK COMPONENTS SAS ET NE PEUT ETRE REPRODUIT OU COMMUNIQUE SANS SON AUTORISATION