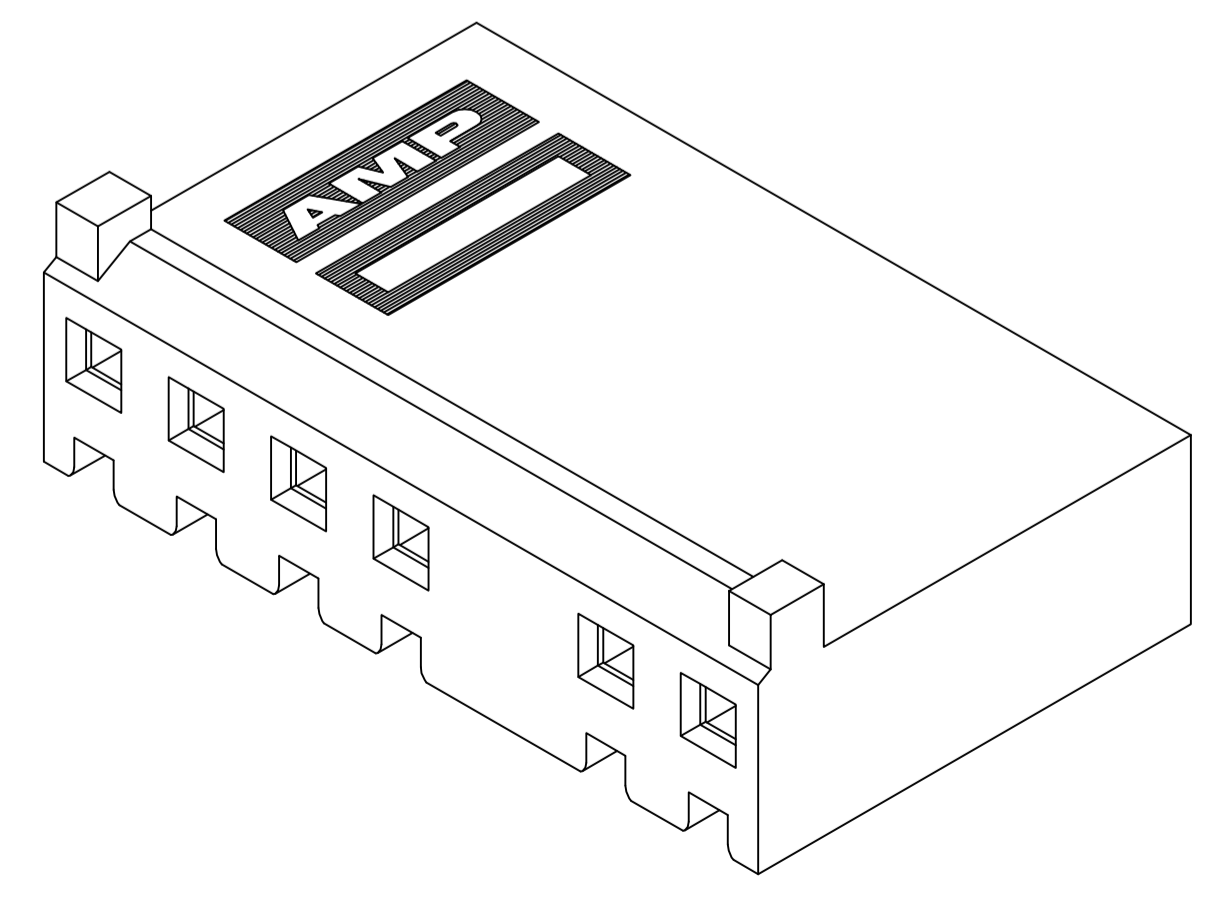
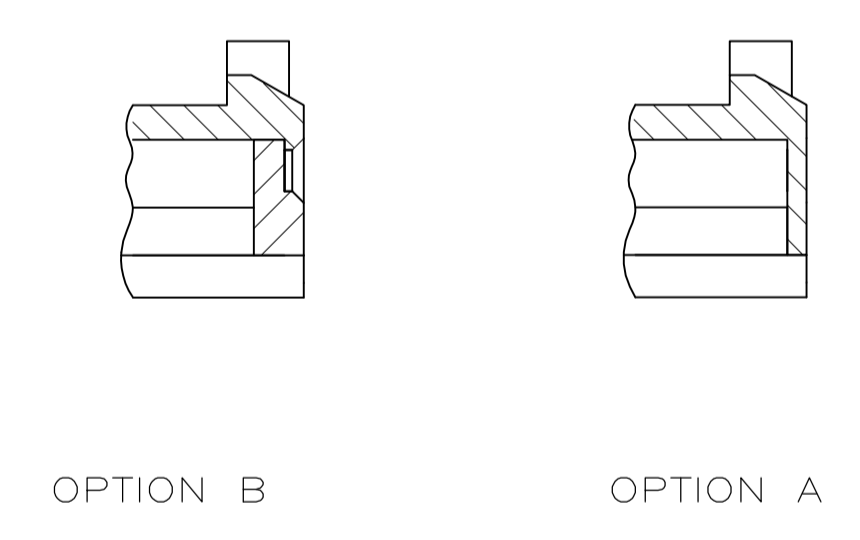
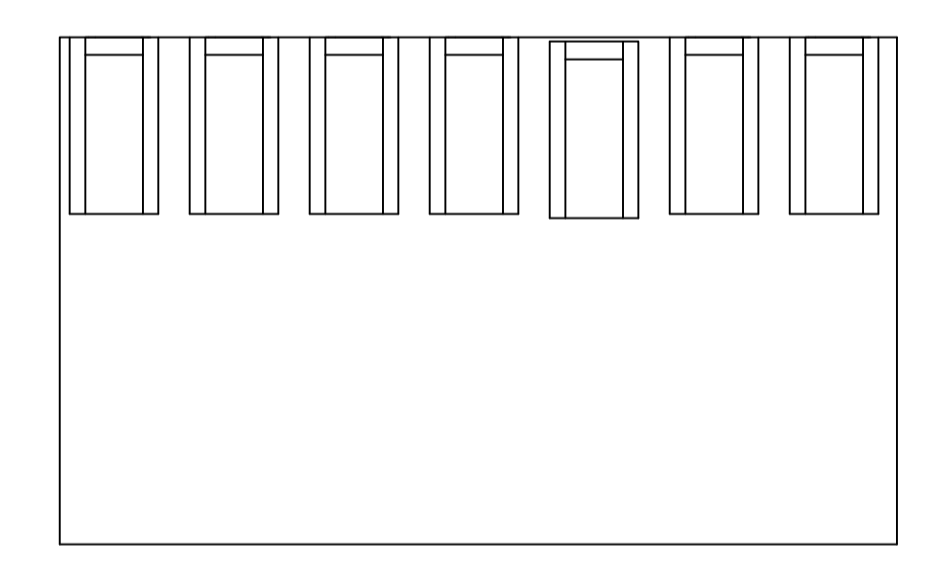
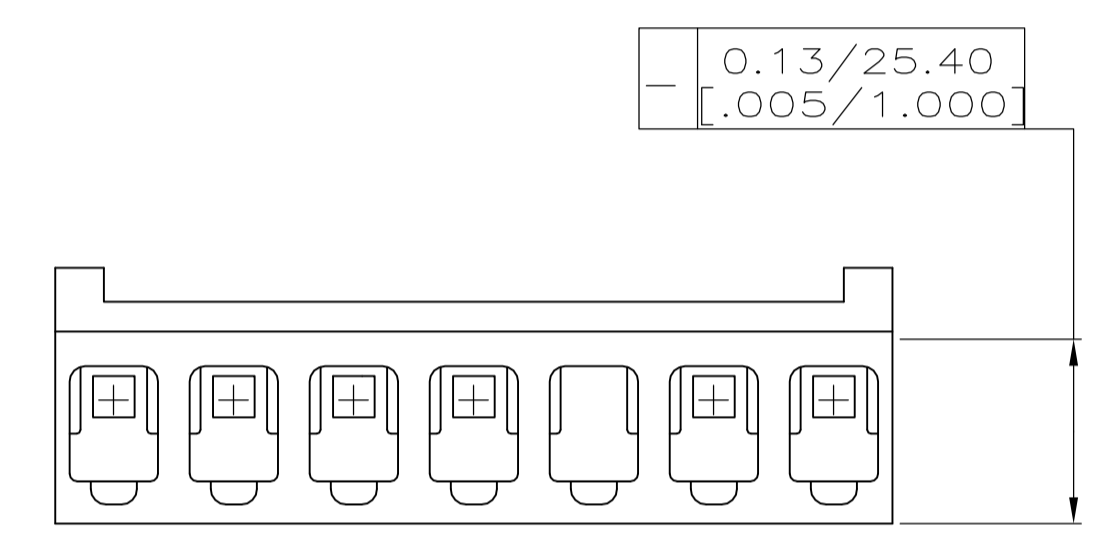
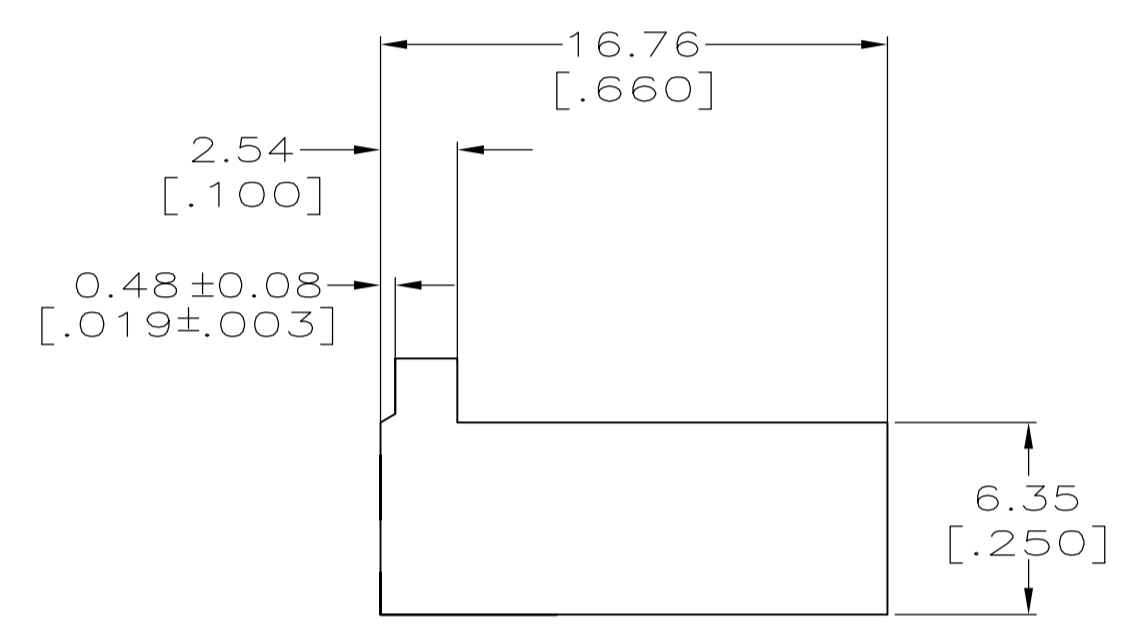
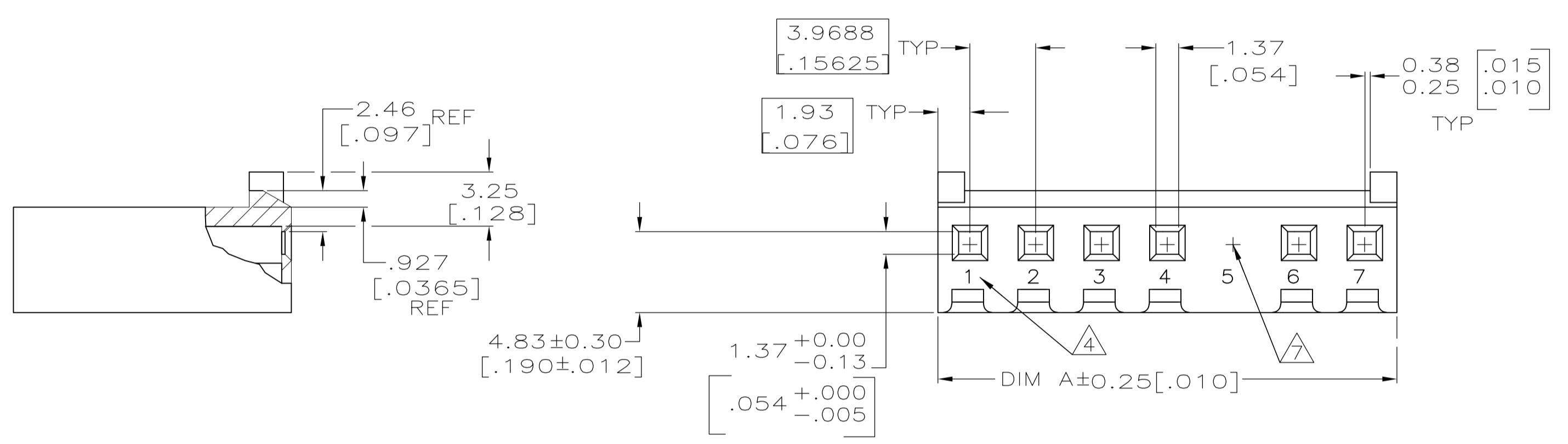
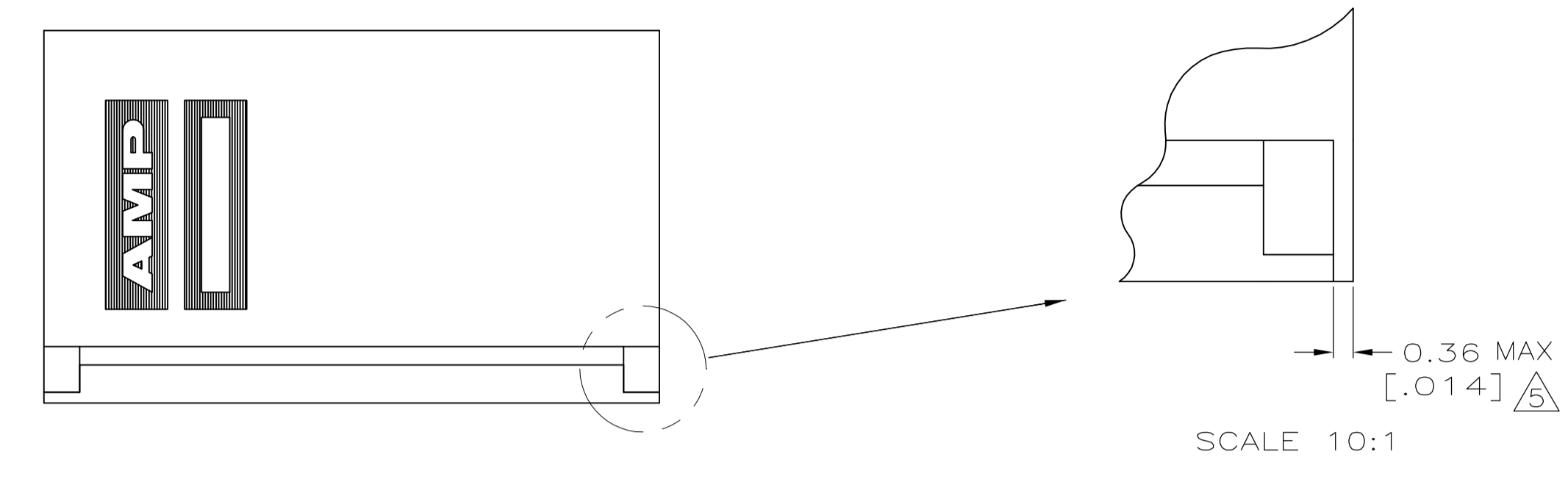


LOC		DIST		REVISIONS			
CM	54	REV	DATE	BY	CHK	APPV	
B		REVISED PER ECO-12-007810	27JUL12	KH	SM		

- 1 UNIT ACCEPTS 1.14[.045] SQUARE OR ROUND POST.
- 2 UNIT ACCEPTS STANDARD SL-156 CONTACTS.
- 3 UNIT ACCEPTS KEYING PLUG 640254-1 AND KEYING PIN 640255-1.
- 4 IDENTIFICATION NUMBER FOR ALL POSITIONS, OR FOR POSITION 1 ONLY, WILL BE LOCATED AS SHOWN.
- 5 OPTIONAL CONSTRUCTION, BOTH ENDS.
- 6 DIMENSIONS IN BRACKETS ARE IN INCHES.
- 7 CIRCUIT NO.5 IS MOLDED CLOSED, USING EITHER OPTION A OR OPTION B.



3-DIMENSIONAL MODEL NTS

27.69[1.090]	7	647175-7
DIM A	NO OF POSN	PART NUMBER

THIS DRAWING IS A CONTROLLED DOCUMENT.		DIN 3-05-98		TE Connectivity	
DIMENSIONS: mm [INCHES]		TOLERANCES UNLESS OTHERWISE SPECIFIED:		APPROVED: R SWING 3-05-98	
0 PLC ± -		1 PLC ± -		NAME: B GENTRY 3-5-98	
1 PLC ± -		2 PLC ± -		PRODUCT SPEC	
2 PLC ± -		3 PLC ± 0.13 [.005]		APPLICATION SPEC	
3 PLC ± -		4 PLC ± -		SIZE: A1	
4 PLC ± -		ANGLES ± -		CAGE CODE: 00779	
MATERIAL: NYLON,UL 94V-0		FINISH: -		DRAWING NO: 647175	
WEIGHT: -		RESTRICTED TO: -		CUSTOMER DRAWING	
SCALE: 4:1		SHEET: 1 OF 1		REV: B	