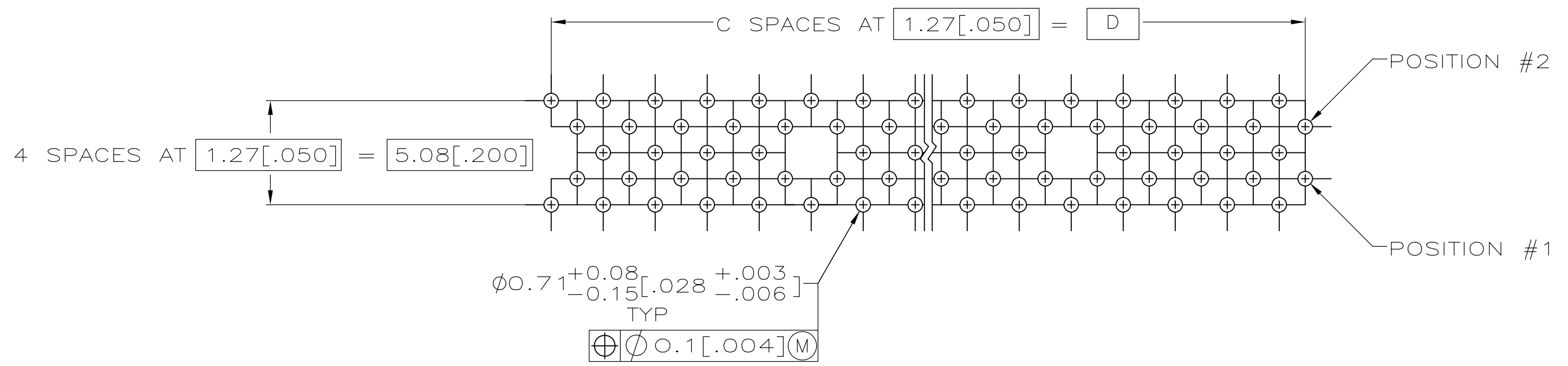
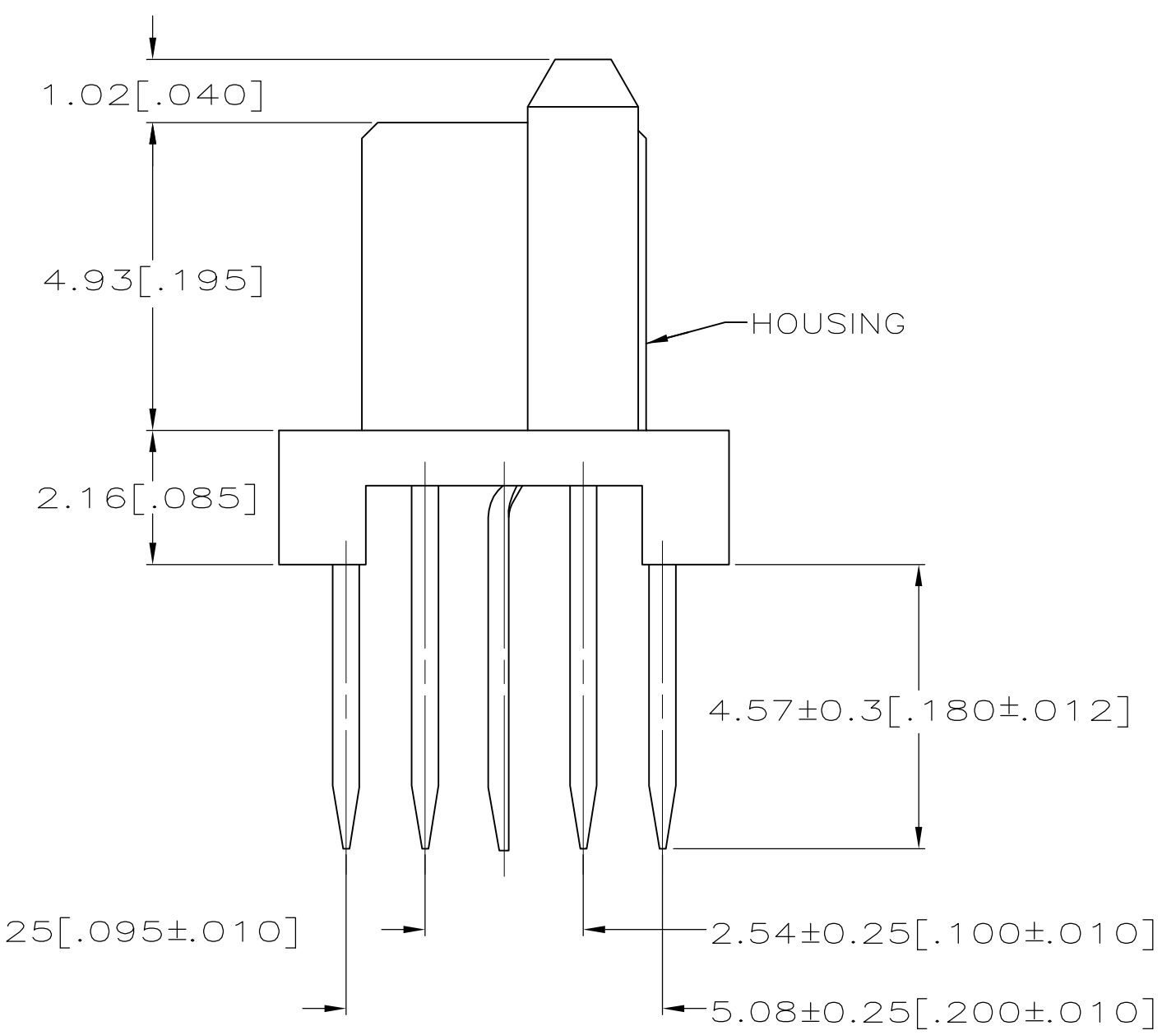
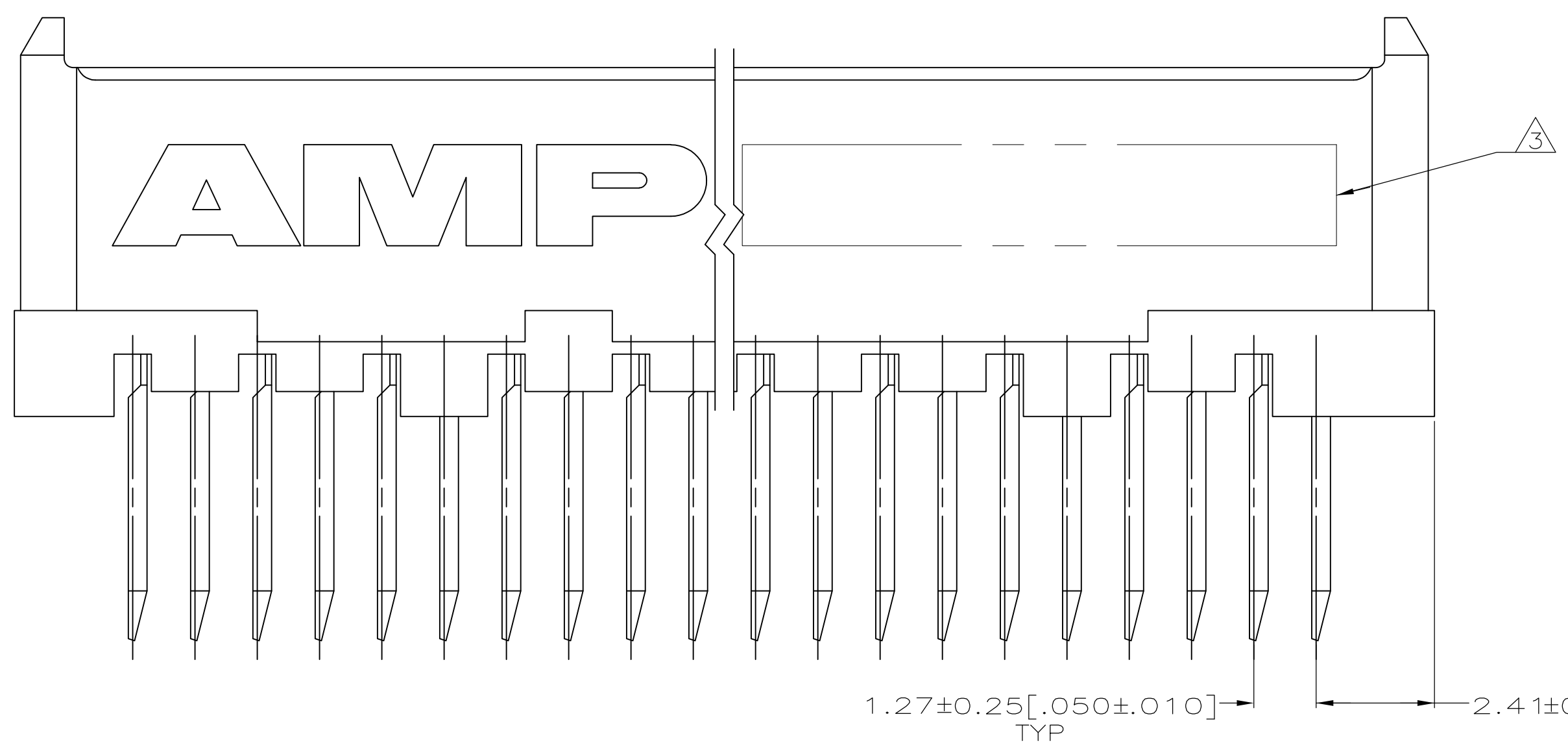


- ① HOUSING: HIGH TEMPERATURE THERMOPLASTIC, COLOR NATURAL.
RECEPTACLE CONTACTS: PHOSPHOR BRONZE.
GROUND BUSES: PHOSPHOR BRONZE.
- ② CONTACTS & GROUND BUSES: 0.00076(.000030) MIN. GOLD PER ASTM B 488 ON CONTACT AREA, 0.00254-0.00762(.000100-.000300) MATTE TIN PER ASTM B 545 ON SOLDER TAIL, ALL OVER 0.00127-0.00254(.000050-.000100) MATTE NICKEL PER SAE AMS-QQ-N-290 ON ENTIRE CONTACT.
- ③ DATE CODE MARKED IN AREA INDICATED, ON SAME SIDE AS AMP LOGO.



RECOMMENDED PC BOARD HOLE LAYOUT
(VIEWED FROM CONNECTOR SIDE)

	125.73[4.950]	99	127.94[5.037]	130.56[5.140]	200	5536255-9
	100.33[3.950]	79	102.54[4.037]	105.16[4.140]	160	5536255-7
OBSOLETE	87.63[3.450]	69	89.84[3.537]	92.46[3.640]	140	5536255-6
	74.93[2.950]	59	77.14[3.037]	79.76[3.140]	120	5536255-5
	62.23[2.450]	49	64.44[2.537]	67.06[2.640]	100	5536255-4
OBSOLETE	49.53[1.950]	39	51.74[2.037]	54.36[2.140]	80	5536255-3
OBSOLETE	36.83[1.450]	29	39.01[1.537]	41.66[1.640]	60	5536255-2
	24.13[.950]	19	26.34[1.037]	28.96[1.140]	40	5536255-1
	D	C	B	A	NO OF POS	PART NUMBER

THIS DRAWING IS A CONTROLLED DOCUMENT.

DIMENSIONS: mm [INCHES]	TOLERANCES UNLESS OTHERWISE SPECIFIED:	0 PLC ± -	1 PLC ± -	2 PLC ± -	3 PLC ± 0.13 [.005]	4 PLC ± -	ANGLES ± -
THIS DRAWING IS A CONTROLLED DOCUMENT. DIB: A. FERNANDEZ 01-20-05 CHK: D. DIXON 01-20-05 APVD: D. DIXON 01-20-05 NAME: Tyco Electronics Corporation Harrisburg, PA 17105-3608		Tyco Electronics Corporation Harrisburg, PA 17105-3608 RECEPTACLE ASSEMBLY, VERTICAL, 4.57[.180] TAIL, BOARD TO BOARD, MICROSTRIP					
MATERIAL	FINISH	WEIGHT	SIZE	CAGE CODE	DRAWING NO	RESTRICTED TO	
①	②	-	A1	00779	5536255	-	
CUSTOMER DRAWING		SCALE	SHEET	OF	REV		
		10:1	1	1	02		