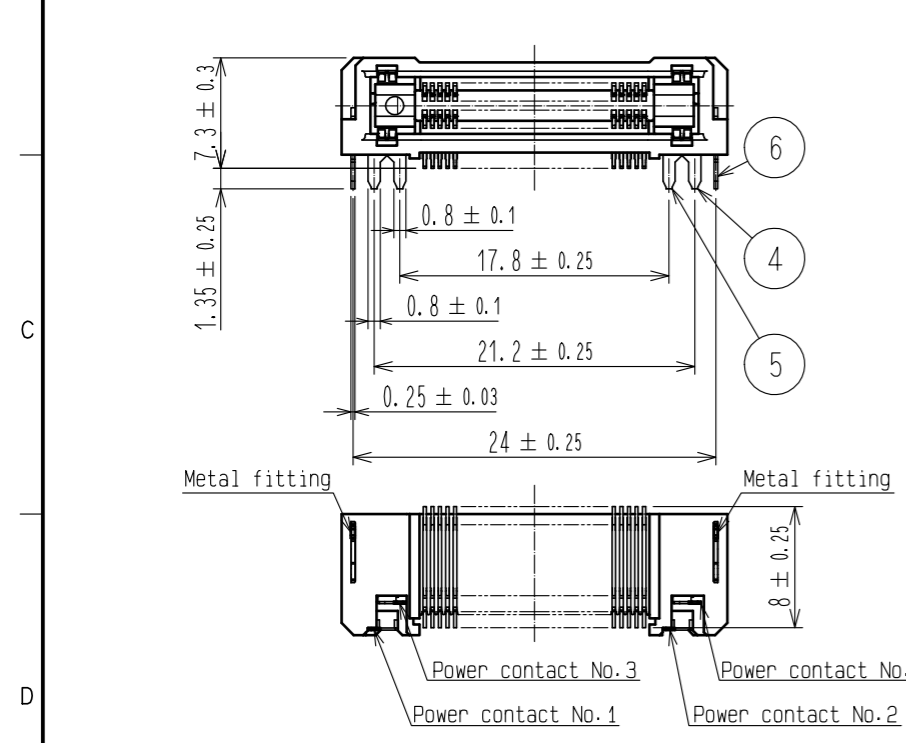
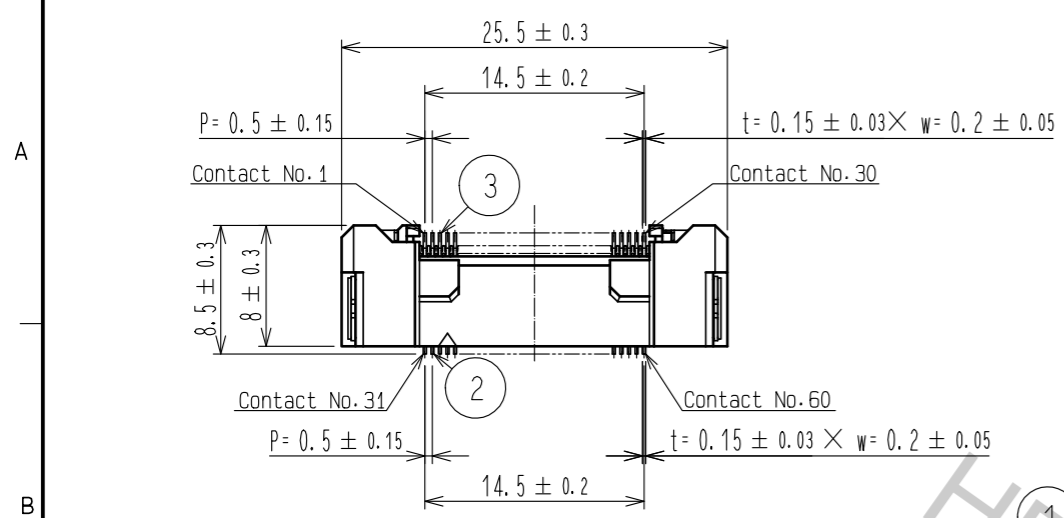
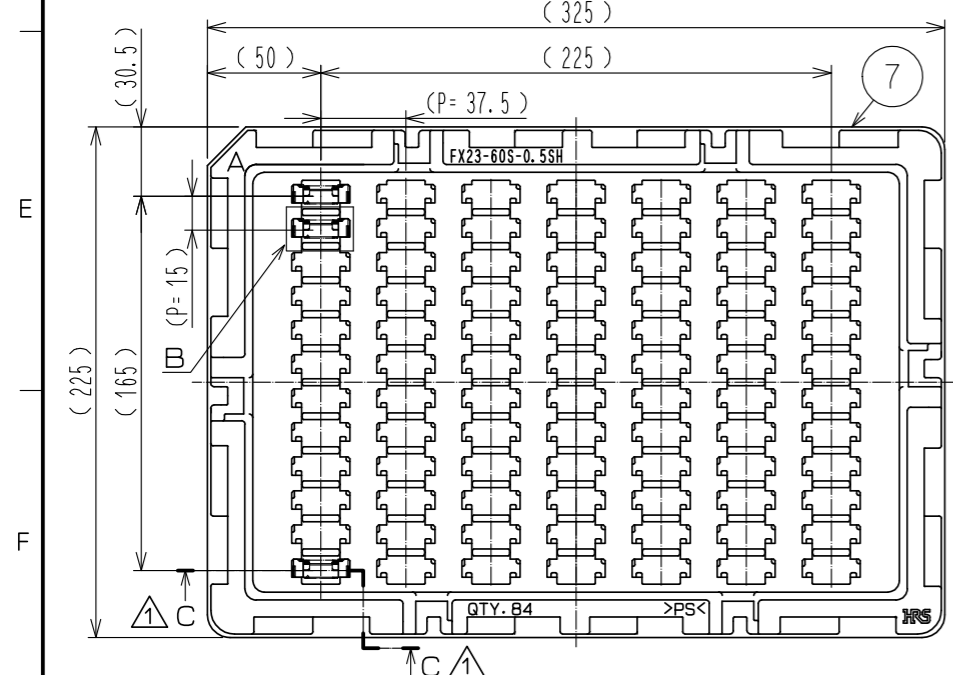


1 2 3 4 5 6 7 8

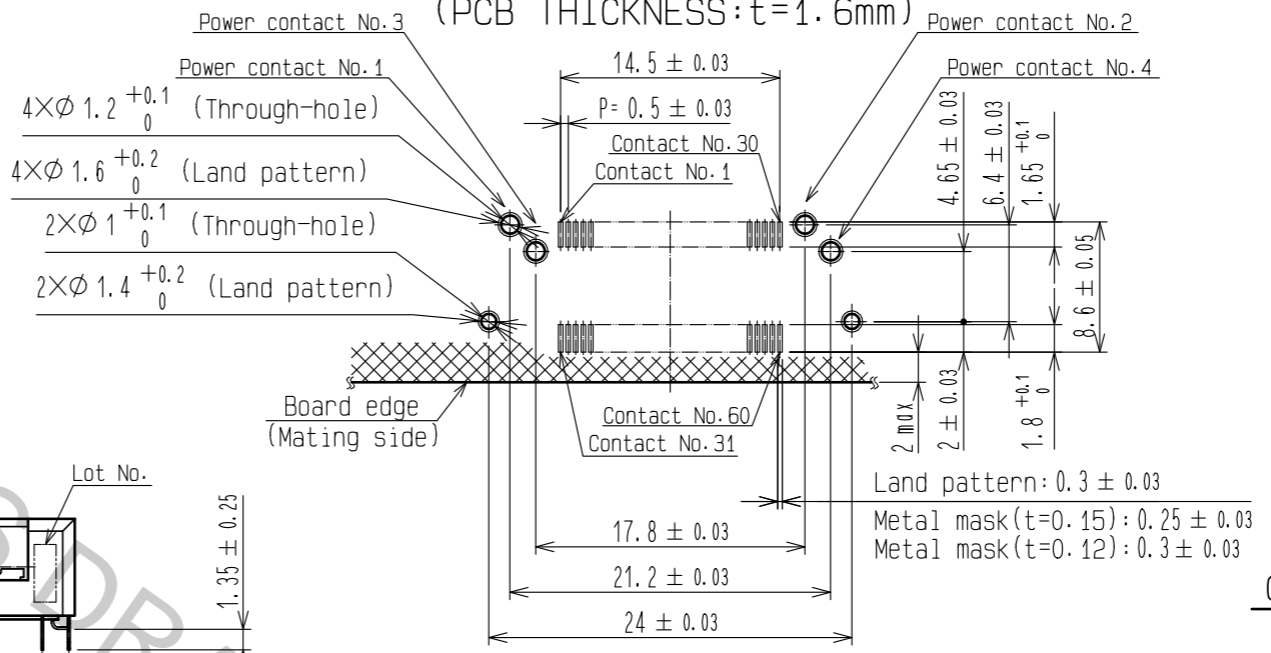


2 DRAWING FOR PACKING (No scale)

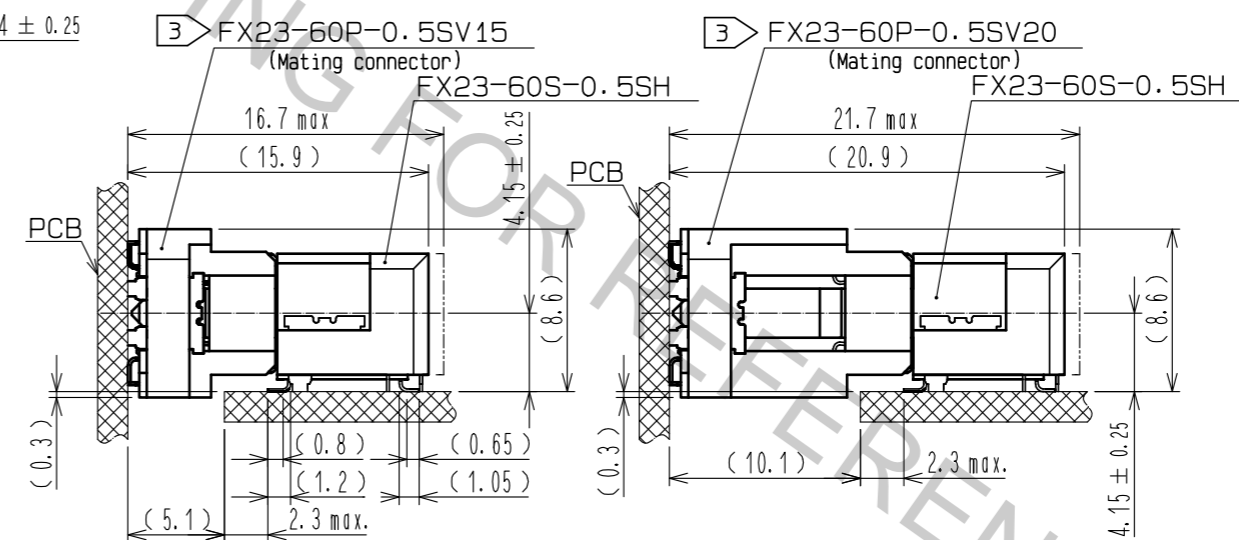


RECOMMENDED LAND PATTERN DIMENSION OF PCB

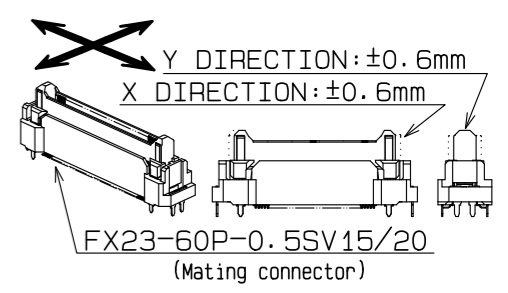
(PCB THICKNESS: t=1.6mm)



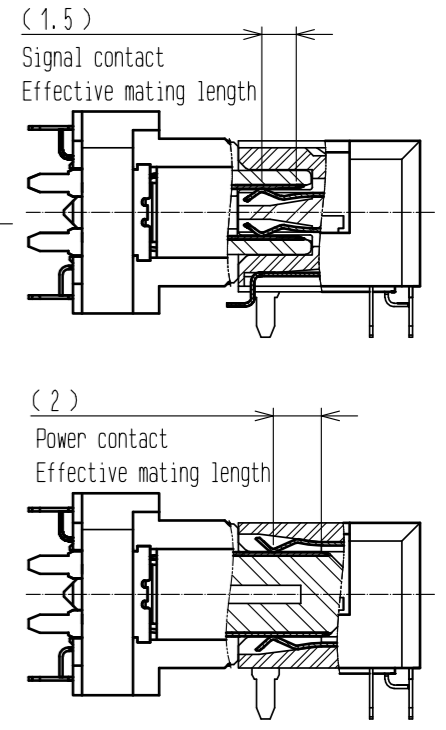
PCB DISTANCE (No scale)



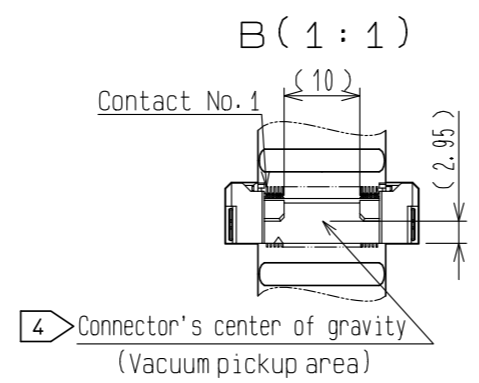
3 FLOATING RANGE



CROSS SECTION OF MATING (No scale)



- 1 Lead CO-Planarity is 0.1mm MAX.
- 2 This is packaged in tray. (84pcs/tray)
- 3 Floating range of this connector is ±0.6mm MAX.
- 4 It shows the vacuum pickup area.
- 5 Blemish and hit mark can be occurred through out the manufacturing process which doesn't affect quality level.
- 6 The dimensions in parentheses are for references.



NO.	MATERIAL	FINISH	REMARKS	NO.	MATERIAL	FINISH	REMARKS
2, 3	COPPER ALLOY		CONTACT AREA: GOLD 0.1 μm LEAD AREA: GOLD 0.03 μm UNDER PLATING: NICKEL 1.3 μm	7	POLYSTYRENE		(TRAY)
1	LCP		BLACK UL94V-0	6	BRASS		LEAD AREA: TIN-PLATING 3 μm UNDER PLATING: NICKEL 1 μm
				4, 5	COPPER ALLOY		CONTACT AREA: GOLD 0.1 μm LEAD AREA: TIN-PLATING 1 μm UNDER PLATING: NICKEL 1.3 μm

UNITS	SCALE	COUNT	DESCRIPTION OF REVISIONS	DESIGNED	CHECKED	DATE
mm	2 : 1	3	DIS-F-00001541	TS.00NO	KN. SHIBUYA	16.08.23
APPROVED : HS. OKAWA			14.12.12	DRAWING NO. EDC3-353567-00		
CHECKED : KN. SHIBUYA			14.12.12	PART NO. FX23-60S-0.5SH		
DESIGNED : TS.00NO			14.12.12	CODE NO. CL573-3403-4-00		
DRAWN : TS.00NO			14.12.12			