



LED-25W Series– Line Voltage Dimmable Constant Current LED Drivers CCR Mode: ELV & Inc 100-10% Dimmable Black Magic Thermal Advantage™ Plastic Housing

Electrical Specifications

Input Voltage Range:	120-230 Vac Nom. with dimmer, 100-277 Vac Nom. without dimmer
Frequency:	50/60 Hz Nom. (47-63 Hz Min/Max)
Power Factor:	>0.90 @ full load, 100V through 277V without dimmer
Inrush Current:	<10 Amps max @ 120Vac, cold start 25°C
Input Current:	0.25 A max 120Vac 60Hz, max load
Maximum Power:	25W
Current Regulation:	± 5% Over input line variation
Load Regulation:	± 8%
THD:	<20% @ full load, 120V
Typical Efficiency	84% at 120Vac
Output Protection:	Over-Voltage, Over-Current and Short Circuit Protection with Auto Recovery

Environmental Specifications

Minimum Starting Temp:	-30°C
Maximum Case Temp.	90°C
Storage Temperature:	-40°C to +85°C
Humidity:	5% to 95%
Cooling:	Convection
Sound Rating:	Class A
Vibration Frequency:	5-55 Hz/2g, 30 minutes
Impact Resistance:	1g/s
MTBF:	402,000 Hours @ full load per MIL-217F Notice 2
EMC:	FCC 47CFR Part 15 Class B compliant
Weight:	7.0 oz. (198 g)



- Total Power: 25 Watts
- Input Voltage: 100-277 Vac Nom.
- UL Dry & Damp Location Rated
- IP66 & NEMA4
- High Power Factor

ELV Dimming Product Specifications

Model Number	Output Voltage Range (V _{ac})	Output Current (mA ±4%)	Max. Output Power (W)	Typical Efficiency
LED25W-72-C0350-TE	36-72	350	25	86%
LED25W-48-C0520-TE	24-48	520	25	85%
LED25W-36-C0700-TE	18-36	700	25	84%
LED25W-24-C1040-TE	12-24	1040	25	83%

For use with electronic low voltage dimmers

INC Dimming Product Specifications

Model Number	Output Voltage Range (V _{ac})	Output Current (mA ±4%)	Max. Output Power (W)	Typical Efficiency
LED25W-72-C0350-LE	36-72	350	25	86%
LED25W-48-C0520-LE	24-48	520	25	85%
LED25W-36-C0700-LE	18-36	700	25	84%
LED25W-24-C1040-LE	12-24	1040	25	83%

For use with standard incandescent dimmers

Class 2: US/Canada

Sign Components Manual

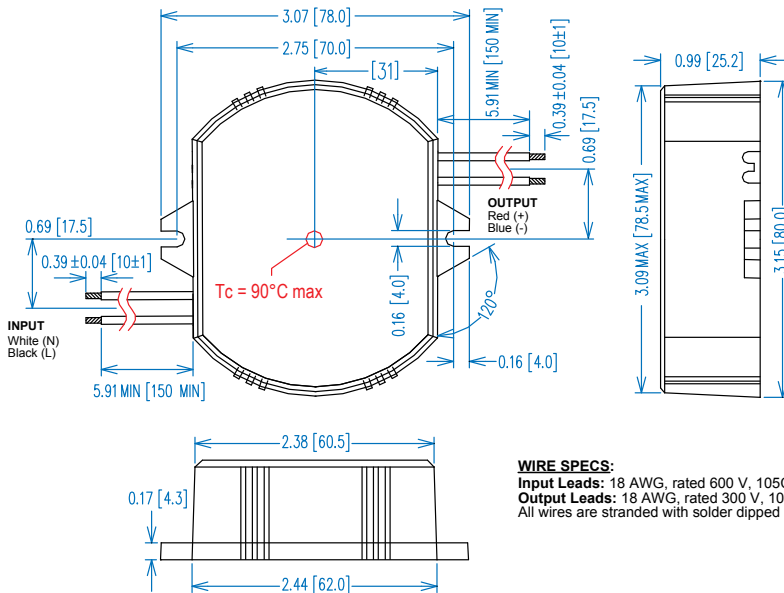


Note:
LED drivers are designed and intended to operate LED loads only. Non-LED loading may be outside the specified design limits of our LED drivers, and therefore cannot be covered by any warranty. If you desire to use our LED drivers to operate non-LED loads please contact us to discuss compatibility.

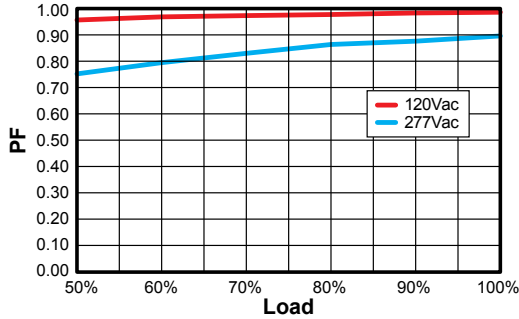
Specifications subject to change without notice.

Rev 6-3-16

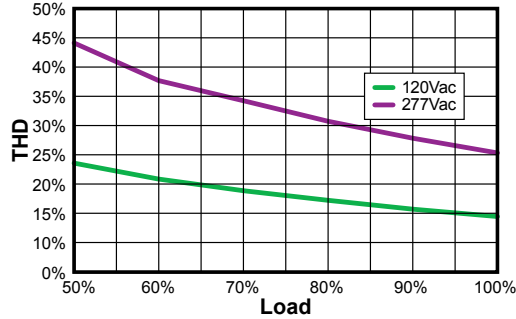
Dimensions - Inches (mm)



Power Factor / Load

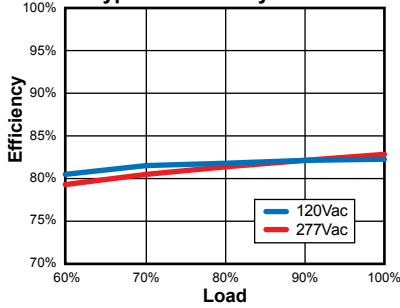


THD / Load

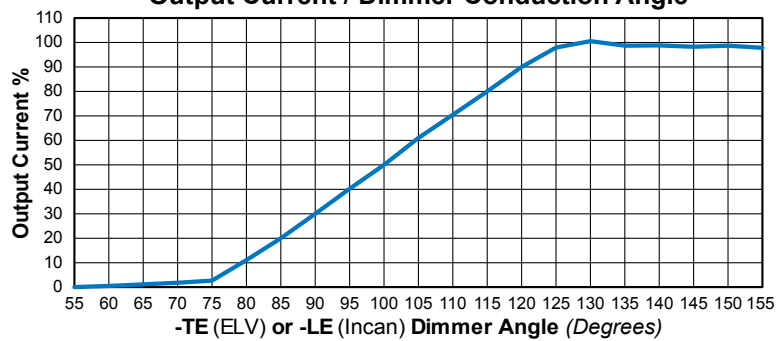


Safety & EMC Compliance	
UL/CUL	UL8750, CSA-C22.2
C E	EN 61347
FCC Part 15	Class B
EN61000-3-2	
EN61000-3-3	Class C

Typical Efficiency / Load



Output Current / Dimmer Conduction Angle



UL Conditions of Acceptability

See website for additional information