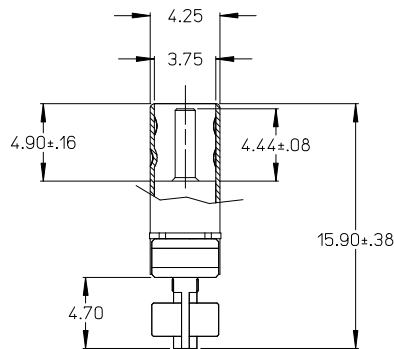
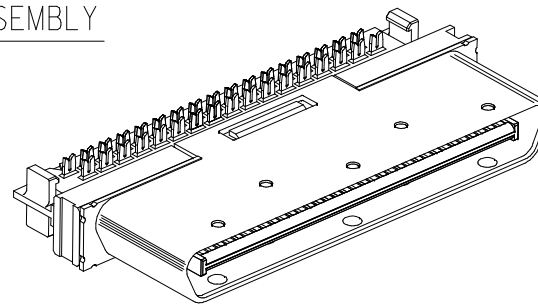
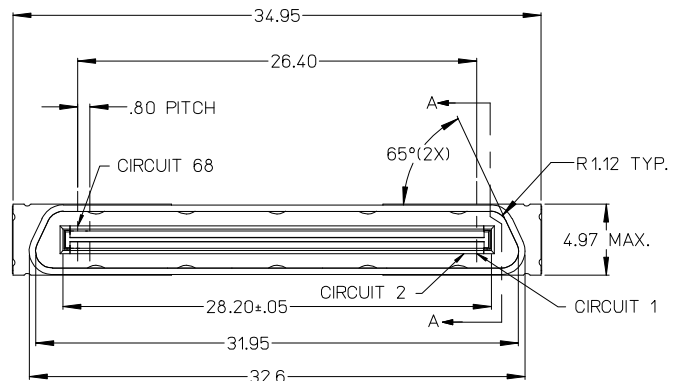
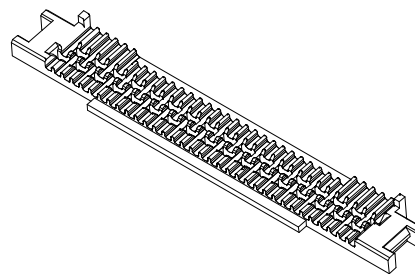
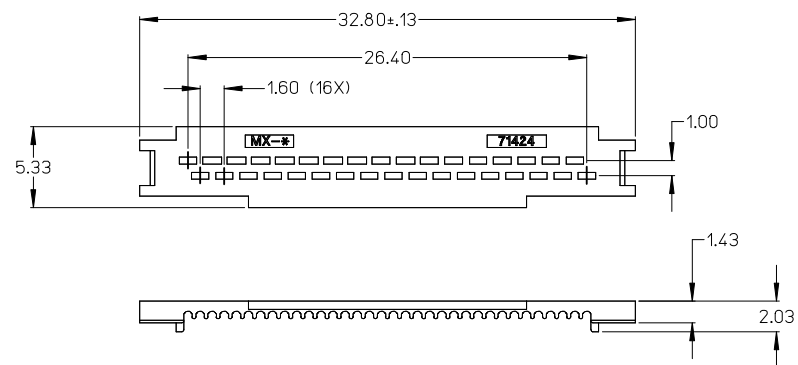
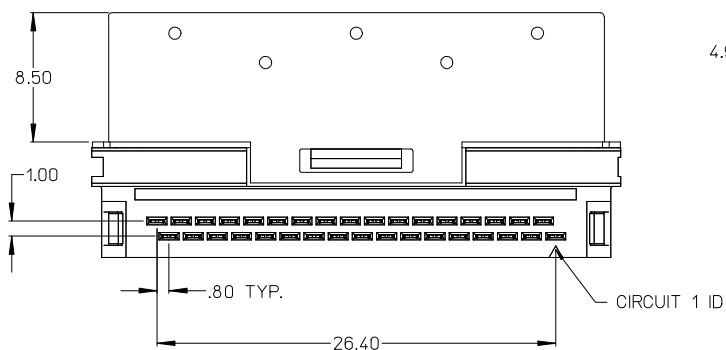


# PLUG ASSEMBLY



### NOTES:

- MATERIAL: HOUSING: GLASS FILLED THERMOPLASTIC; NATURAL; UL 94V-0  
TERMINALS: COPPER ALLOY  
SHIELD: ALUMINUM KILLED STEEL
- FINISH: TERMINALS: 0.76 MICROMETER MINIMUM GOLD IN THE CONTACT AREA  
NICKEL UNDERPLATE OVERALL  
SHIELD: 2.54 MICROMETER MINIMUM BRIGHT NICKEL OVER COPPER FLASH.
- ASSEMBLY MATES WITH RECEPTACLE #71430 AND 73776.
- PACKAGED PER PK-70873-0851.
- PRODUCT CONFORMS TO PS-71425-9999.
- FOR DIE CAST SHELL KITS SEE SD-73796-008.
- PART COMPLIES WITH CLASS B OF COSMETIC SPECIFICATION PS-45992-002.
- TO BE USED WITH 28-30 AWG STRANDED WIRE OR 30 AWG SOLID CORE WIRE.
- SEE AS-71425-001 FOR WIRE TERMINATION INSTRUCTIONS.



# WIRE COVER

<b>ADD NOTE 9</b> EC NO: UCP2009-2243 DRWN:BBARKER 2009/03/25 CHKD:BSMART 2009/03/26 APPR:SMILLER 2009/03/27	QUALITY SYMBOLS ▽=0 ▽=0	GENERAL TOLERANCES (UNLESS SPECIFIED) mm INCH 4 PLACES ± --- ± --- 3 PLACES ± --- ± --- 2 PLACES ± 0.25 ± --- 1 PLACE ± --- ± --- ANGULAR ± 1/2°	DIMENSION STYLE MM ONLY DRAWN BY DATE BBARKER 2002/10/29 CHECKED BY DATE DMORGAN 2002/10/29 APPROVED BY DATE SMILLER 2002/10/29	SCALE DESIGN UNITS METRIC THIRD ANGLE PROJECTION	TITLE VHDCI 0.8 MM PITCH 68 CIRCUIT IDT PLUG KIT - SALES ASSEMBLY
	KIT COMPONENTS 71425-0050 PLUG ASSEMBLY 1 71425-0003 WIRE COVER 2 71424-0001	MATERIAL NO. SEE TABLE	DOCUMENT NO. SD-71425-002	SHEET NO. 1 OF 1	
	DRAFT WHERE APPLICABLE MUST REMAIN WITHIN DIMENSIONS	SIZE THIS DRAWING CONTAINS INFORMATION THAT IS PROPRIETARY TO MOLEX INCORPORATED AND SHOULD NOT BE USED WITHOUT WRITTEN PERMISSION	MOLEX MOLEX INCORPORATED	MOLEX MOLEX INCORPORATED	
	REV D	DESCRIPTION	DESCRIPTION	DESCRIPTION	