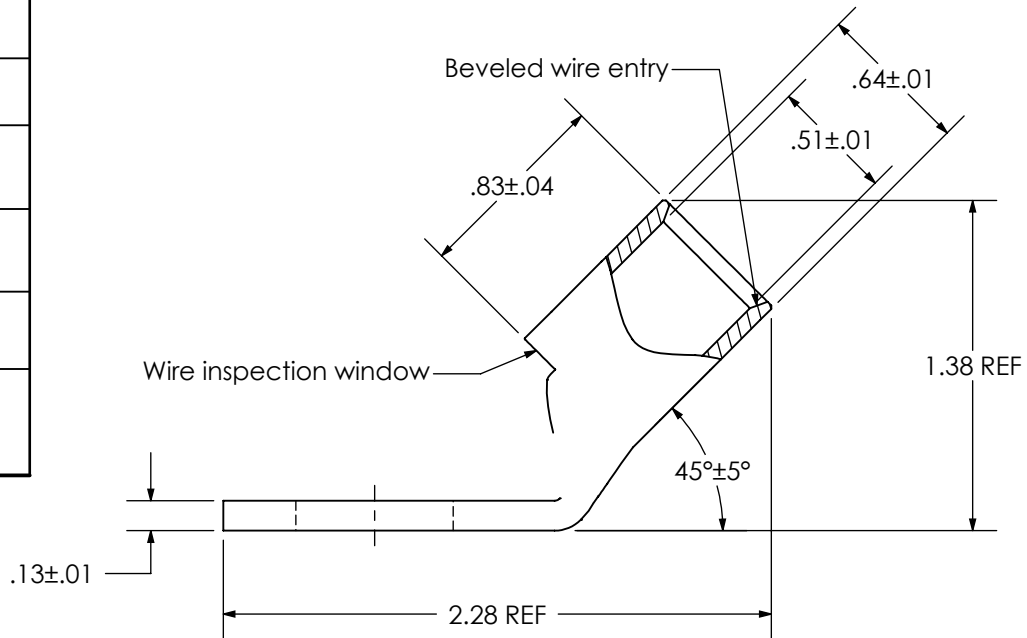
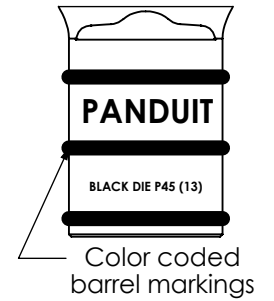
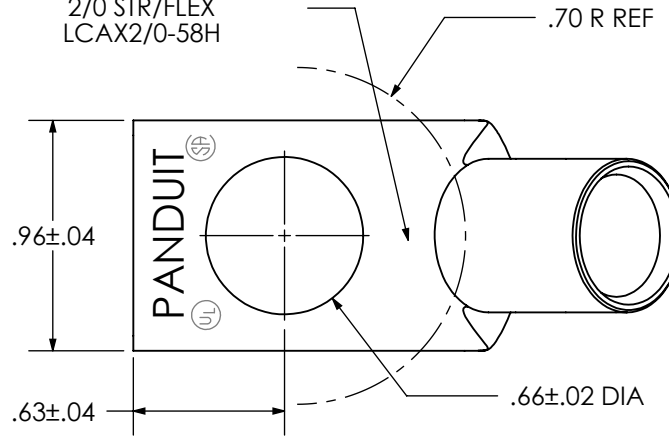


THIS COPY IS PROVIDED ON A RESTRICTED BASIS AND IS NOT TO BE USED IN ANY WAY DETRIMENTAL TO THE INTERESTS OF PANDUIT CORP.

Material	High Conductivity Seamless Copper Tube
Plating	Electro-Tin
Wire Size	2/0 STR/FLEX
Wire Type	Stranded Copper: Class B & C, Compact, Class G, H, I, K, M, Locomotive
Wire Strip Length	7/8 in.
Stud Size	5/8 in.
UL Listed Wire Connector	Yes, for applications up to 35kv. Consult cable manufacturer for voltage stress relief instructions with applications greater than 2000 volts.
UL Temperature Rating	90° C
C.S.A Certified Wire Connector	Yes
Panduit Color Code on Barrel	BLACK
Panduit Die Index No. on Barrel	P45
Alternate Industry Die Index No. () on Barrel	(13)



Tongue also stamped with:
2/0 STR/FLEX
LCAX2/0-58H



PANDUIT CORP. TINLEY PARK, ILLINOIS

LCAX2/0-58H-X
Copper Lug - One-Hole, Standard Flex Barrel, 45° Angle Tongue

00	11/06	JHNU	JSK
REV	DATE	BY	CHK

RELEASED

PC00608

DESCRIPTION

ECN

SCALE
N/A

DRAWING NO / CAD FILE

LCAX2_0-58H-CUST