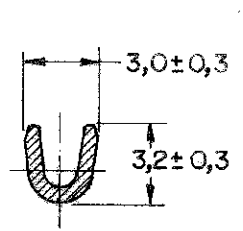
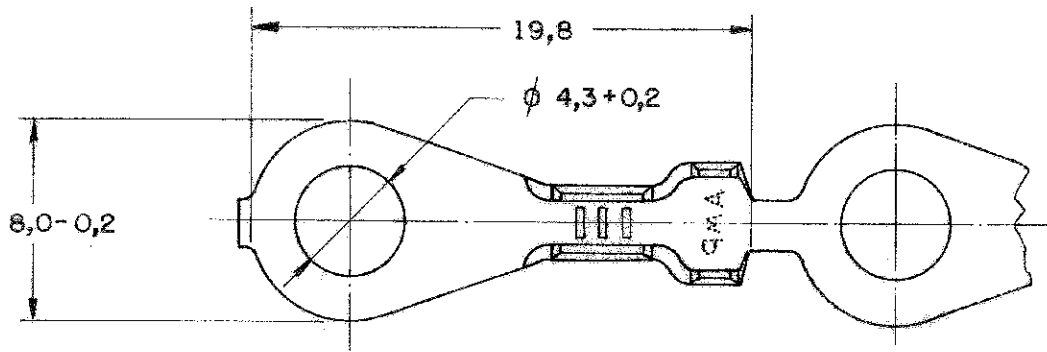
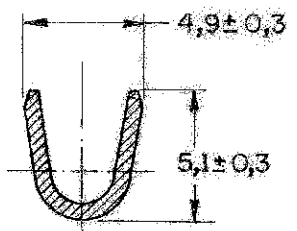


C 880626

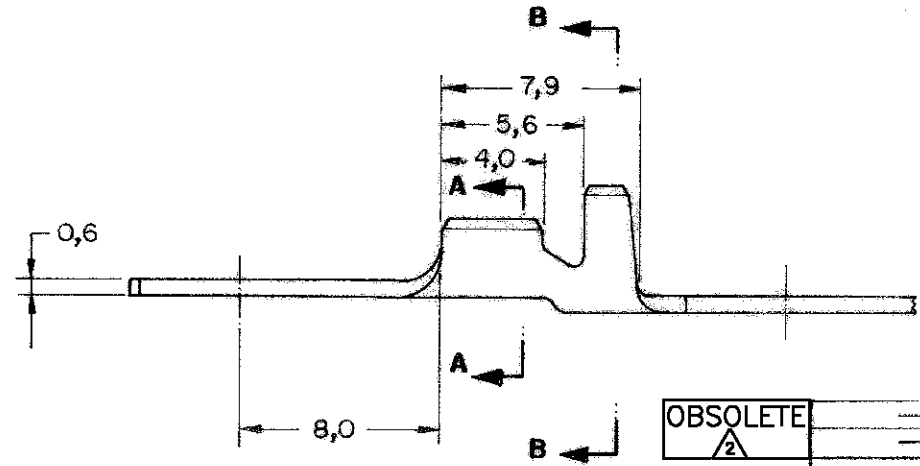
DO NOT SCALE		<b>METRIC</b>		3rd ANGLE PROJECTION	
DIMENSIONS IN mm.					
REQ PER ASSY	ITEM	DESCRIPTION	MATERIAL	FINISH	



**CORTE A-A**  
SECTION



**CORTE B-B**  
SECTION



**OBSOLETE**  
2

ESTANHADO TIN PLATED	LATÃO BRASS	4
ESTANHADO TIN PLATED	BRONZE FOS. PHOS. BRONZE	3
ESTANHADO TIN PLATED	LATÃO BRASS	-2
ESTANHADO TIN PLATED	LATÃO BRASS	880626 -1
LOOSE PIECE	FINISH	MATERIAL
<b>CUSTOMER DWG</b> for REFERENCE ONLY		THIS DRAWING IS UNPUBLISHED / RELEASED FOR PUBLICATION
		INS. DIA. RANGE WIRE RANGE 2 SCALE
		2,0-3,3 mm 0,5-1,0 mm 5:1
		AMP do BRASIL LTDA. São Paulo, Brasil
		DESCRIPTION
		<b>RING TONGUE</b>
		REV A4
		DWG NO. <b>C 880626</b>
		SHEET 1 of 1

- 1 - REBOBINAR INTERCALANDO COM PAPEL.  
REREELING WITH PAPER INTERLEAVE
- 2 - OBSOLETE PARTS: OBSOLETE CIS STREAMLINING  
PER D.RENAUD/D.SINISI

A4	REVISED PER ECO-09-026444	RR	26NOV09	J.R. Goldschmidt
A3	REV. ECO-08-00796B	INCL.	11-508	
A2	REDRAWN WITHOUT CHANGE	216-95		
REV	REVISION	RECORDED	ECN	CHK
			DATE	APP.