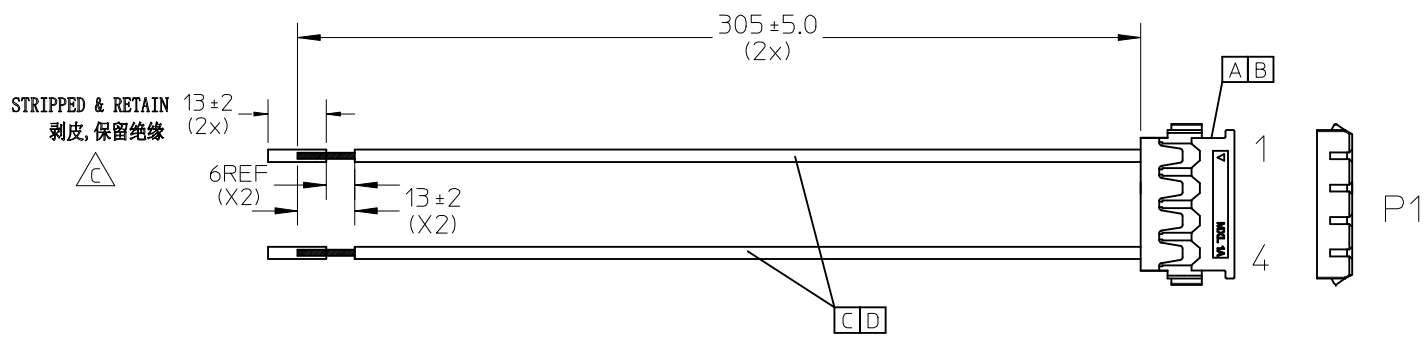


7 6 5 4 3 2 1

REVISIONS				
EC NO	DATE	REV	DESCRIPTION	CHANGER
	12.12.24	A	INITIAL RELEASE.	JORRY
CY13-5881	13.01.09	B	CHG. TITLE	JORRY
CY13-5952	13.01.22	C	CHG STRIPPED LENGTH	JORRY



NOTES

- THIS PRODUCT MUST MEET EU 2011/65/EU ROHS COMPLIANCE.  
此产品需符合EU 2011/65/EU ROHS 环保要求
- ELECTRICAL PERFORMANCE REFER TO ES-000.  
电气特性参考ES-000.
- 28AWG WIRE SPEC.(线的规格)
  - WIRE OD:0.7+/-0.05MM,
  - WIRE INSULATION: FEP
  - CONDUCTOR:7/0.127 TINNED COPPER
  - UL STYLE:UL1371
  - TEMPERATURE RATING:105℃
  - RATED VOLTAGE:300V
- STICK UL LABEL ON THE OUTSIDE CARTON.  
外箱上贴UL 标签

D	28AWG,FEP,RED,OD:0.7MM,UL1371,VW-1.	A/R	
C	28AWG,FEP,BLACK,OD:0.7MM,UL1371,VW-1.	A/R	
B	TERMINAL 28-30AWG		2
A	4CKT HSG.WHITE		1
ITEM	DESCRIPTION	L(MM)	Q'TY

P1	COLOR
1	RED
2	
3	
4	BLACK

EC NO: CPG2013-2384 DRWN: CX1A003 CHKD: JDUAN APPR: FNIE 2013/01/23 2013/01/23 2013/01/24	QUALITY SYMBOLS $\nabla_F = 0$ $\nabla_E = 0$ $\nabla_P = 0$	GENERAL TOLERANCES (UNLESS SPECIFIED)		DIMENSION STYLE <b>MM ONLY</b>		SCALE ---	DESIGN UNITS METRIC	THIRD ANGLE PROJECTION	
		4 PLACES ± --- ± --- 3 PLACES ± --- ± --- 2 PLACES ± --- ± --- 1 PLACE ± --- ± --- 0 PLACE ± --- ± ---	mm      INCH	DRAWN BY CX1A003	DATE 2012/12/25	TITLE 2PINS WIRING PICO EZMATE 12" 28AWG	APPROVED BY FNIE	DATE 2012/12/26	MATERIAL NO. 688014147
ANGULAR ± ---° DRAFT WHERE APPLICABLE MUST REMAIN WITHIN DIMENSIONS		SIZE A 4	THIS DRAWING CONTAINS INFORMATION THAT IS PROPRIETARY TO MOLEX INCORPORATED AND SHOULD NOT BE USED WITHOUT WRITTEN PERMISSION						SHEET NO. 1 OF 1

6 5 4 3 2 1