

DO NOT SCALE DRAWING
DIMENSION IN METRIC

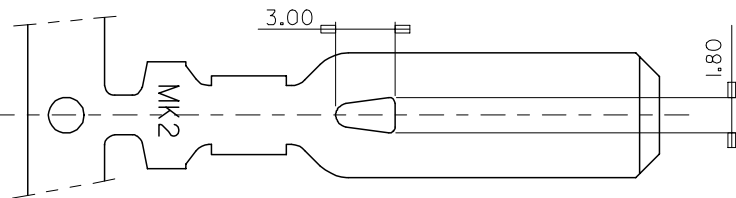
c

PROJECT NO.

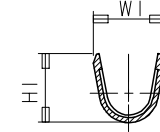
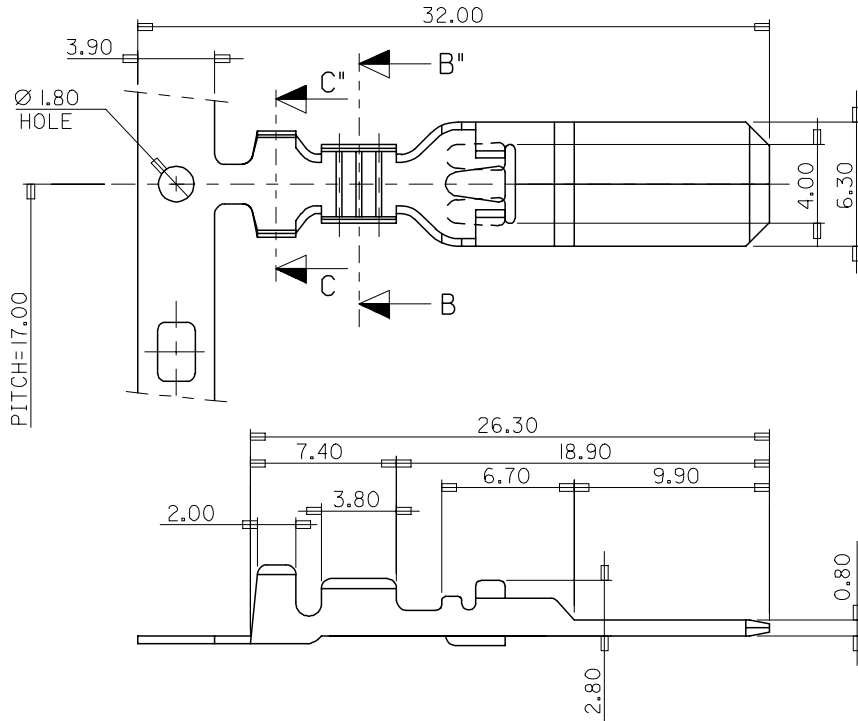
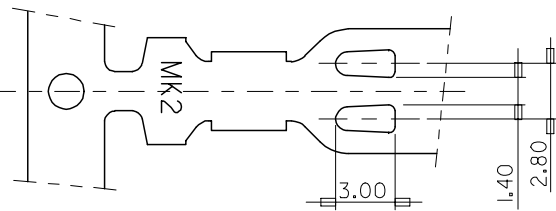
SIMILAR ITEM

DWG. NO.
SD-35452-001

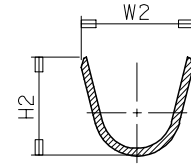
"A" TYPE
35452-9*02



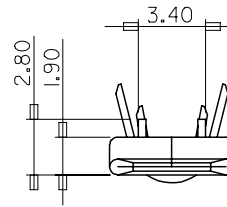
"B" TYPE
35453-9*02



SECTION B-B'



SECTION C-C'



NOTES

- MATERIAL: BRASS
- FINISHES: PRE-TIN PLATED

ENG.NO	MATERIAL NO.	W1	H1	W2	H2
3545*-9702	3545*9702	2.8	2.8	3.8	3.8
3545*-9802	3545*9802	3.5	3.5	5.6	5.2
3545*-9902	3545*9902	5.0	4.8	6.3	6.3

* : 2 AND 3

REVISED	DESCRIPTION
EC NO. KOR2002-0099	
DRWN: C.B.CHIN 02/04/08	
CHK: W.Y.YANG	
APPR: C.W.LEE	
A	REV

QUALITY SYMBOLS
MAJOR = 0
CRITICAL C = 0

GENERAL TOLERANCES: (UNLESS SPECIFIED)	SCALE 4:1	DESIGN UNITS <input checked="" type="checkbox"/> mm <input type="checkbox"/> INCH
4 PLACES ±0.1	DRAWN BY & DATE W.Y.YANG 97/11/04	THIRD ANGLE PROJECTION
3 PLACES ±0.2	CHECKED BY & DATE B.K.CHOI 97/11/04	
2 PLACES ±0.30	APPROVED BY & DATE C.W.LEE 97/11/04	
1 PLACE ±0.30	CAD FILENAME S35452AA.DGN	
ANGULAR: ± 1.0 °	THIS DRAWING CONTAINS INFORMATION THAT IS PROPRIETARY TO MOLEX INCORPORATED AND SHOULD NOT BE USED WITHOUT WRITTEN PERMISSION.	

DIMENSIONS: <input type="checkbox"/> mm <input type="checkbox"/> INCH <input checked="" type="checkbox"/> mm ONLY		SHT	REV
TITLE: .250 HEAVY TAB-(A),(B)		REVISE ON CAD ONLY	
MOLEX MOLEX INCORPORATED			
MATERIAL NO. SEE TABLE	DRAWING NO. SD-35452-001	SHEET NO. 1/1	
THIS DRAWING CONTAINS INFORMATION THAT IS PROPRIETARY TO MOLEX INCORPORATED AND SHOULD NOT BE USED WITHOUT WRITTEN PERMISSION.			SIZE B

MX-A3