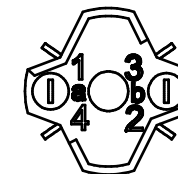
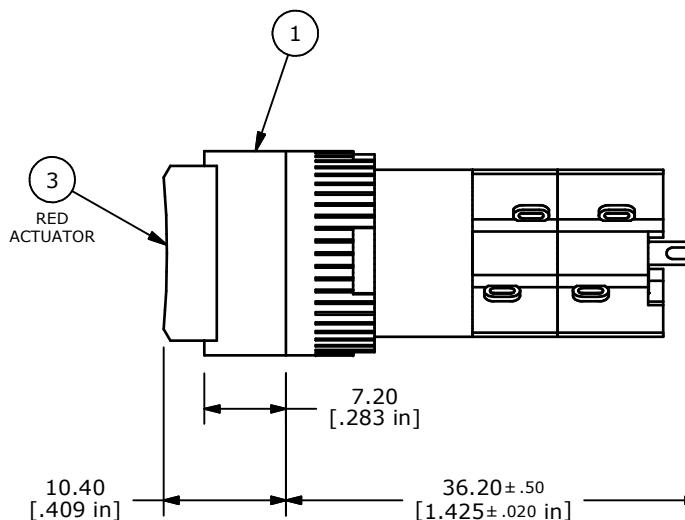
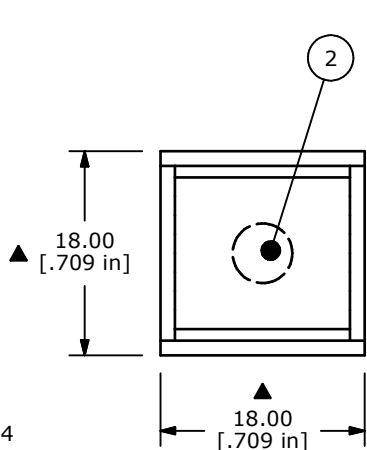
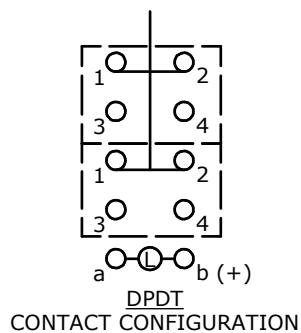


ISOMETRIC

PARTS LIST			
ITEM	QTY	PART NUMBER	DESCRIPTION
1	1	F040031	D16OAS12
2	1	F050420	5000420 12VDC LED - RED
3	1	F052304	5000304 OPAQUE LENS - RED

PANEL MOUNTING



NOTE:

1. ALL DIMENSIONS IN MM [INCH]
2. GENERAL TOLERANCE: X.X=±0.4  
X.XX=±0.25
3. TERMINAL NUMBERS FOR REF ONLY
4. RATING: 5A @ 250 VAC  
6A @ 24 VDC  
8A @ 125 VAC
5. ELECTRIC LIFE: 50,000 MAKE-AND-BREAK CYCLES AT FULL LOAD.
6. INSULATION RESISTANCE: 1,000 MEGA-OHM MIN.
7. OPERATING TEMP.: -20°C to 55°C
- ▲ 8. LAMP: 12V DC LED (RED)
9. PANEL THICKNESS: 0.5 - 5.0 mm.
10. ▲ DENOTES CRITICAL PARAMETER.
11. 2002/05/EC (ROHS) COMPLIANT.
12. PACKAGE: BOX/20 PIECES PER BOX



TITLE D16OAS12JREDRED

A	18555	RELEASED FOR PRODUCTION	8/3/09	BLR
REV	PCR NO	DESCRIPTION	DATE	BY

SCALE	DATE	DR	DWG	REV
1.5:1	8/3/2009	BF	XF0799P	A

THE INFORMATION CONTAINED IN THIS DOCUMENT IS PROPRIETARY TO E-SWITCH AND IS NOT TO BE COPIED OR TRANSFERRED