

MBZ series

Micro limit snap action switch

Distinctive features and specifications



- Movement differential $\leq 0.13\text{mm}$.
- Available in normally open, normally closed and change over functions.
- Solder lug and PC terminals available.
- Gold plated contacts available.

ELECTRICAL SPECIFICATIONS

- AC rating: 10 (1,5)A 250VAC, 100mA 12VDC
- Electrical life: 10,000 cycles min. depending on switching capacity

MATERIALS

- Case: PBT (UL94V-0)
- Actuator:
 - T85: POM (UL94HB)
 - T130: PBT (UL94V-0)
- Contact spring: CuBe
- Terminals: CuZn Ag plated
- Contacts: AgNi, or AgNi Au plated

GENERAL SPECIFICATIONS

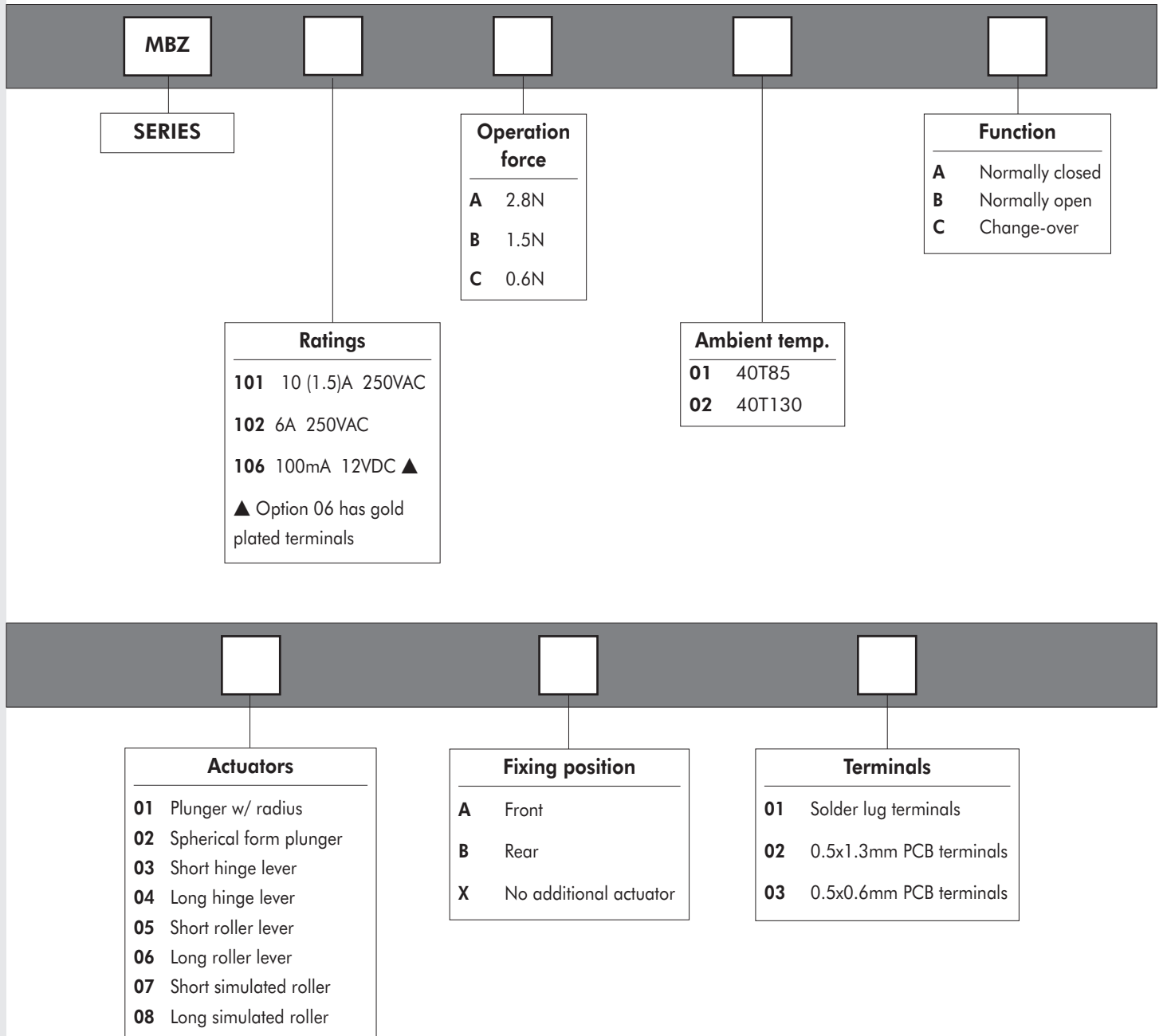
- Operating temperature: -40°C to $+85/+130^{\circ}\text{C}$
- Pretravel: $\leq 1\text{mm}$
- Overtravel: 0.3mm min., 0.6mm max.
- Movement differential: $\leq 0.13\text{mm}$
- Operating position: $8.4 \pm 0.3\text{mm}$
- Contact opening: $< 3\text{mm}$
- Mechanical life: 10,000,000 cycles

AGENCY APPROVAL



MBZ series

Micro limit snap action switch



ABOUT THIS SERIES

On the following pages, you will find successively :

- model structure of switches
- options in the same order as in above chart

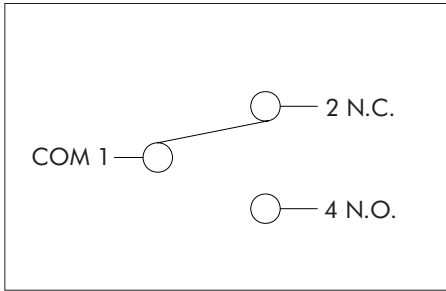
Dimensions : first dimensions are in mm while inches are shown as bracketed numbers.



NOTICE : please note that not all combinations of above numbers are available. Refer to the following pages for further information.

MBZ series

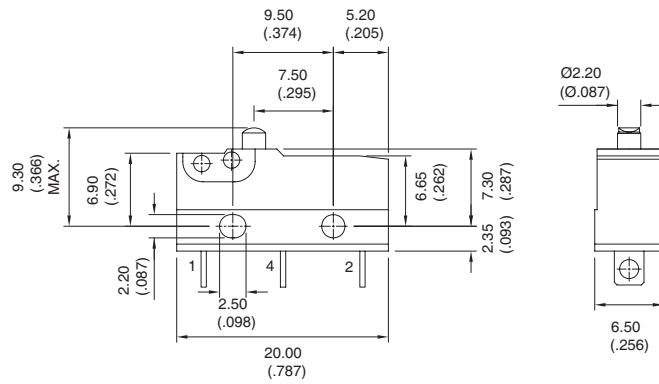
Micro limit snap action switch



Change-over with rounded plunger



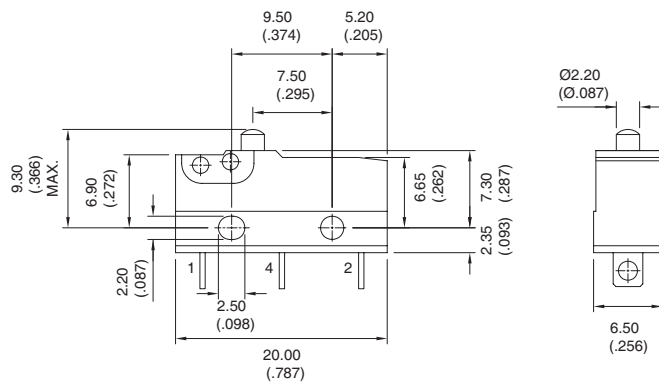
MBZ C01B01



Change-over with spherical plunger



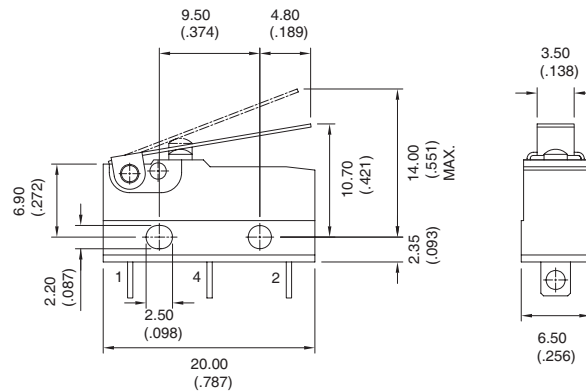
MBZ C02B01



Change-over with short hinge lever



MBZ C03B01



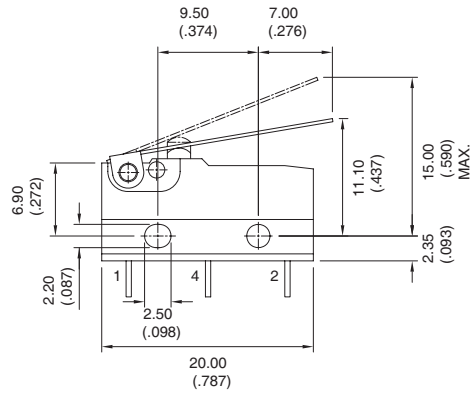
MBZ series

Micro limit snap action switch

Change-over with long hinge lever



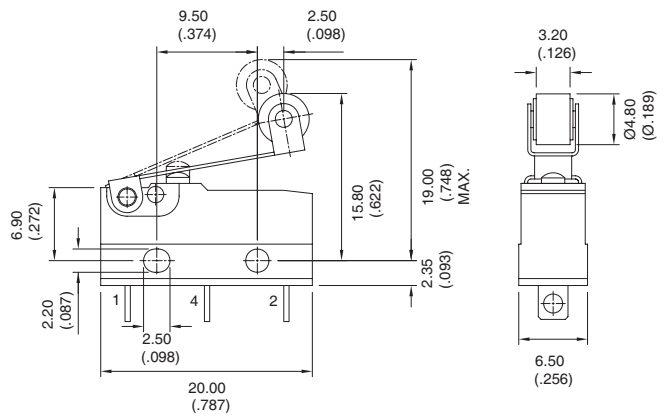
MBZ C04B01



Change-over with short roller lever



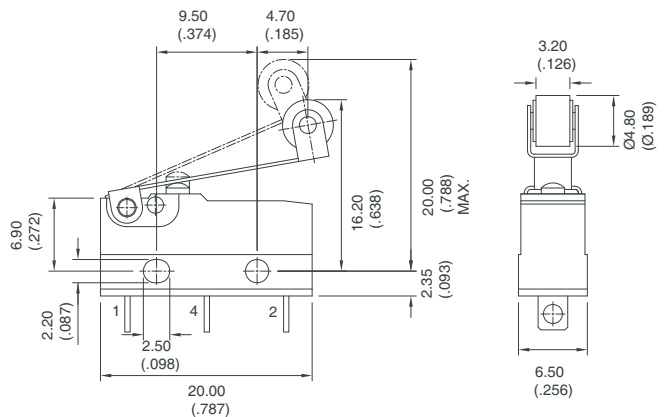
MBZ C05B01



Change-over with long roller lever



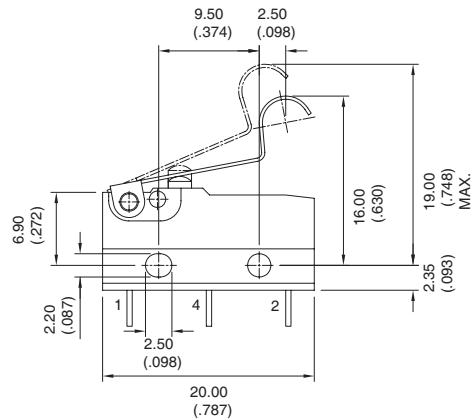
MBZ C06B01



Change-over with short simulated roller



MBZ C07B01



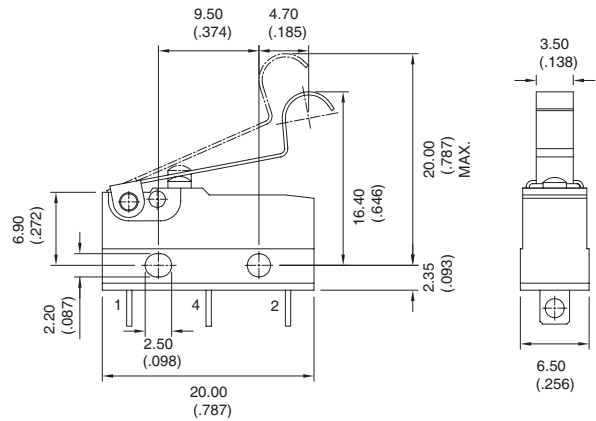
MBZ series

Micro limit snap action switch

Change-over with long simulated roller

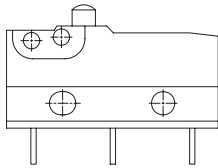


MBZ C08B01

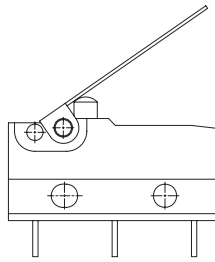


Fixing position

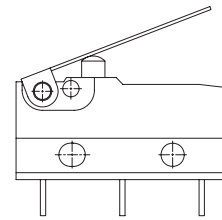
X No additional actuator



A Front

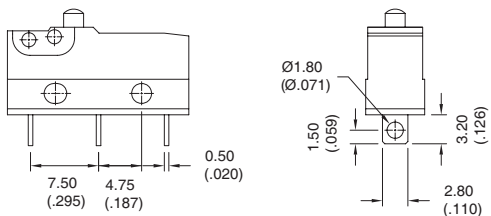


B Rear

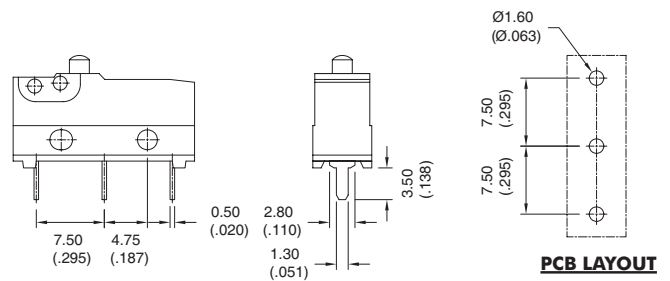


Terminal options

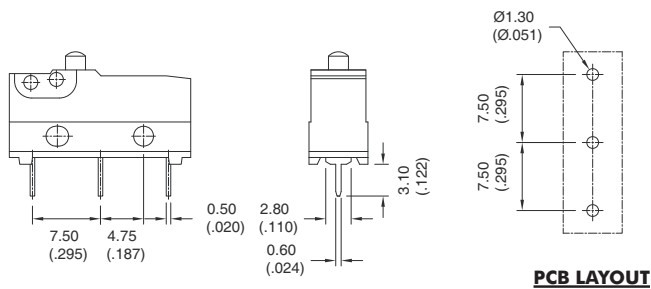
01 Solder lug terminals



02 0.5x1.3mm PCB terminals



03 0.5x0.6mm PCB terminals



MBZ series

Micro limit snap action switch

MBZ	Actuator	Actuator length	Operation force on plunger (≤N)	Operation force on lever (≤N)	Pretravel	Overtravel	Movement differential	Free position	Operating position
Plunger with radius	01	-	0.60	-	1.20 (.047)	0.30-0.60 (.012-.024)	0.13 (.005)	9.30 (.366)	8.40±0.30 (.331±.012)
			1.50	-					
			2.80	-					
Spherical plunger	02	-	0.60	-	1.20 (.047)	0.30-0.60 (.012-.024)	0.13 (.005)	9.30 (.366)	8.40±0.30 (.331±.012)
			1.50	-					
			2.80	-					
Rear fixing position									
Short hinge lever	03	4.80 (.189)	0.60	0.21	4.50 (.177)	0.75-1.50 (.030-.059)	0.90 (.035)	14.00 (.551)	10.70±1.60 (.421±.063)
			1.50	0.54					
			2.80	1.00					
Long hinge lever	04	7.00 (.276)	0.60	0.18	5.00 (.197)	0.75-1.50 (.030-.059)	1.20 (.047)	15.00 (.591)	11.10±1.80 (.437±.071)
			1.50	0.46					
			2.80	0.85					
Short roller lever	05	2.50 (.098)	0.60	0.24	4.50 (.177)	0.75-1.50 (.030-.059)	0.70 (.028)	19.00 (.748)	15.80±1.60 (.622±.063)
			1.50	0.59					
			2.80	1.10					
Long roller lever	06	4.70 (.185)	0.60	0.20	5.00 (.197)	0.75-1.50 (.030-.059)	1.00 (.039)	20.00 (.787)	16.20±1.80 (.638±.071)
			1.50	0.51					
			2.80	0.95					
Short simulated roller	07	2.50 (.098)	0.60	0.25	4.50 (.177)	0.75-1.50 (.030-.059)	0.70 (.028)	19.00 (.748)	16.00±1.60 (.630±.063)
			1.50	0.62					
			2.80	1.15					
Long simulated roller	08	4.70 (.185)	0.60	0.20	5.00 (.197)	0.75-1.50 (.030-.059)	1.00 (.039)	20.00 (.787)	16.40±1.80 (.646±.071)
			1.50	0.51					
			2.80	0.95					
Front fixing position									
Short hinge lever	03	7.00 (.276)	0.60	0.10	9.00 (.354)	1.25-2.50 (.049-.098)	1.50 (.059)	18.00 (.709)	12.00±3.00 (.472±.118)
			1.50	0.24					
			2.80	0.45					
Long hinge lever	04	9.40 (.370)	0.60	0.09	10.00 (.394)	1.50-3.00 (.059-.118)	1.80 (0.71)	20.00 (.787)	12.50±3.50 (.492±.138)
			1.50	0.21					
			2.80	0.40					
Short roller lever	05	4.70 (.185)	0.60	0.11	9.00 (.354)	1.25-2.50 (.049-.098)	1.50 (.059)	22.00 (.866)	17.00±3.00 (.669±.118)
			1.50	0.27					
			2.80	0.50					
Long roller lever	06	7.10 (.280)	0.60	0.09	10.00 (.394)	1.50-3.00 (.059-.118)	1.80 (0.71)	24.00 (.945)	17.50±3.50 (.689±.138)
			1.50	0.21					
			2.80	0.40					
Short simulated roller	07	4.70 (.185)	0.60	0.13	9.00 (.354)	1.25-2.50 (.049-.098)	1.50 (.059)	22.00 (.866)	17.20±3.00 (.677±.118)
			1.50	0.32					
			2.80	0.60					
Long simulated roller	08	7.10 (.280)	0.60	0.11	10.00 (.394)	1.50-3.00 (.059-.118)	1.80 (0.71)	24.00 (.945)	17.70±3.50 (.697±.138)
			1.50	0.27					
			2.80	0.50					