


# HC-M-03-MOD-ST

Order No.: 1663213

<http://eshop.phoenixcontact.de/phoenix/treeViewClick.do?UID=1663213>

HEAVYCON contact insert module, male, 3-pos., crimp connection

**Commercial data**

GTIN (EAN)	 4 017918 123024
sales group	D042
Pack	2 pcs.
Customs tariff	85369010
Catalog page information	Page 185 (PC-2002)

**Product notes**WEEE/RoHS-compliant since:  
10/30/2006

<http://www.download.phoenixcontact.com>  
Please note that the data given here has been taken from the online catalog. For comprehensive information and data, please refer to the user documentation. The General Terms and Conditions of Use apply to Internet downloads.

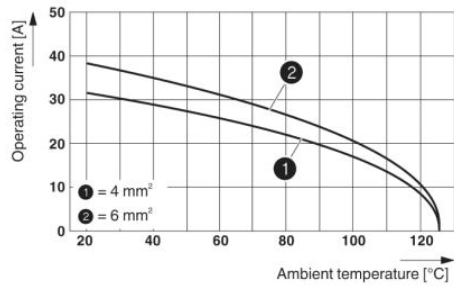
**Certificates / Approvals**

Certification

CSA, GOST, UL

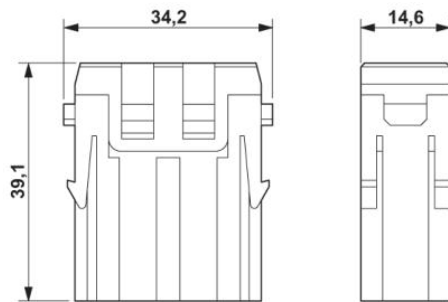
## Diagrams/Drawings

### Diagram



Derating diagram (6 modules in HC-B 24 housing)

### Dimensioned drawing



Male insert

**Address**

PHOENIX CONTACT Deutschland GmbH  
Flachmarktstr. 8  
32825 Blomberg, Germany  
Phone +49 5235 3 12000  
Fax +49 5235 3 41200  
<http://www.phoenixcontact.de>



© 2010 Phoenix Contact  
Technical modifications reserved;