

**Ratings**

Voltage: 300 V  
 Operating temperature: -20° to 80 °C

**Conductor**

Gauge: 28 AWG, 0.089 mm<sup>2</sup>  
 Material: tinned copper strands  
 Strand size: Ø 0.127 mm  
 Strand count: 7  
 Max resistance at 20 °C: 239 Ω/km

**Insulator**

Material: PVC  
 Color: white  
 Outer diameter: 1.2 ±0.10 mm  
 Min resistance at 20 °C: 10 MΩ/km

**Shield**

Type: spiral  
 Material: tinned copper strands  
 Strand size: Ø 0.10 mm  
 Strand count: 35 ±2

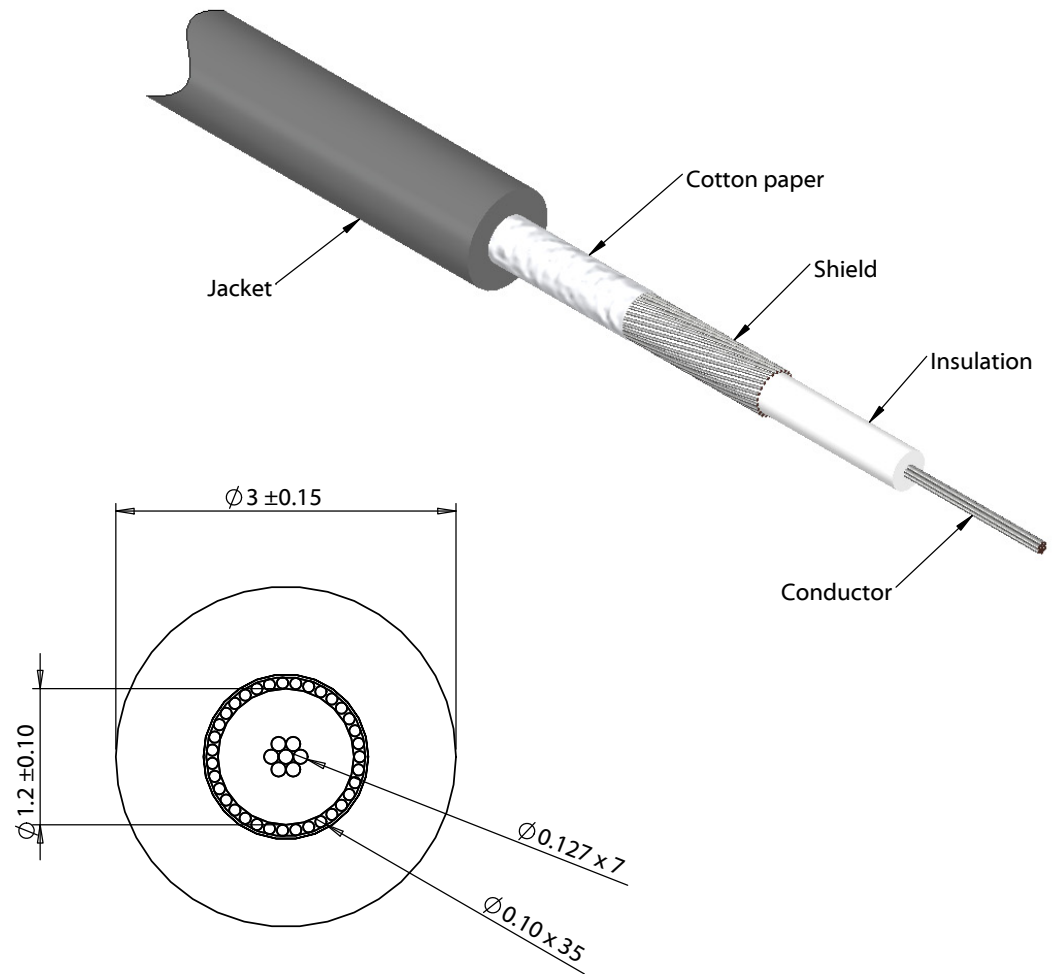
**Outer jacket**

Material: TPU, 80 °C  
 Type: extruded, non-integral  
 Color: gray  
 Diameter: 3.0 ±0.15 mm

**Wire marking:** E339579 AWM STYLE 10846 80°C  
 300V VW-1 --- C AWM I/II A 80°C 300V FT1 TENSILITY

**Tests**

Voltage test: 300 V  
 Spark test: 3.0 kV  
 Tensile strength: 1.05 kgf/mm<sup>2</sup>  
 After aging at 113 ±2 °C for 7 days:  
     Minimum tensile strength 70 % original  
     Minimum elongation 65 % original  
 Heat shock: 121 ±1 °C /1 hour, no observed degradation  
 Deformation: 121 ±1 °C /1 hour, ≤ 50 %  
 Cold bend: -10 ±1 °C /1 hour, no observed cracking  
 Flammability: FT1, VW-1  
 Dielectric test: 1500 V ac for 1 minute without breakdown



REVISION	DATE	DESCRIPTION
A	9/3/2015	Initial release
A1	9/14/2015	Upgraded fire rating to VW-1/ FT1
A2	3/10/2016	Updated operating temperature range

PREPARED:  
 VERIFIED:  
 DIMENSIONS ARE IN MILLIMETERS  
 TOLERANCES:  
 X: ± 0.5 mm  
 X.X: ± 0.3 mm  
 X.XX: ± 0.05 mm

NOTES  
 RoHS and REACH compliant  
 Function test: no open, no short circuit, no intermittent  
 Drawing in third angle projected  
 DESCRIPTION:  
 Wire, 1C TS, 28 AWG, UL10846, 300V, 80C, 3.0 mm, shielded, VW-1, TPU, gray

**TENSILITY**  
 20802 Sockeye Place #130  
 Bend, OR 97701 USA  
 tel 541.323.3228 fax 541.323.4202  
 800 877.670.7118 www.tensility.com

SIZE A	PART NUMBER 30-00575
SCALE: 15:1	SHEET 1 OF 1