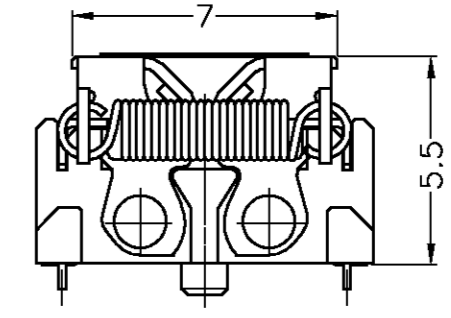
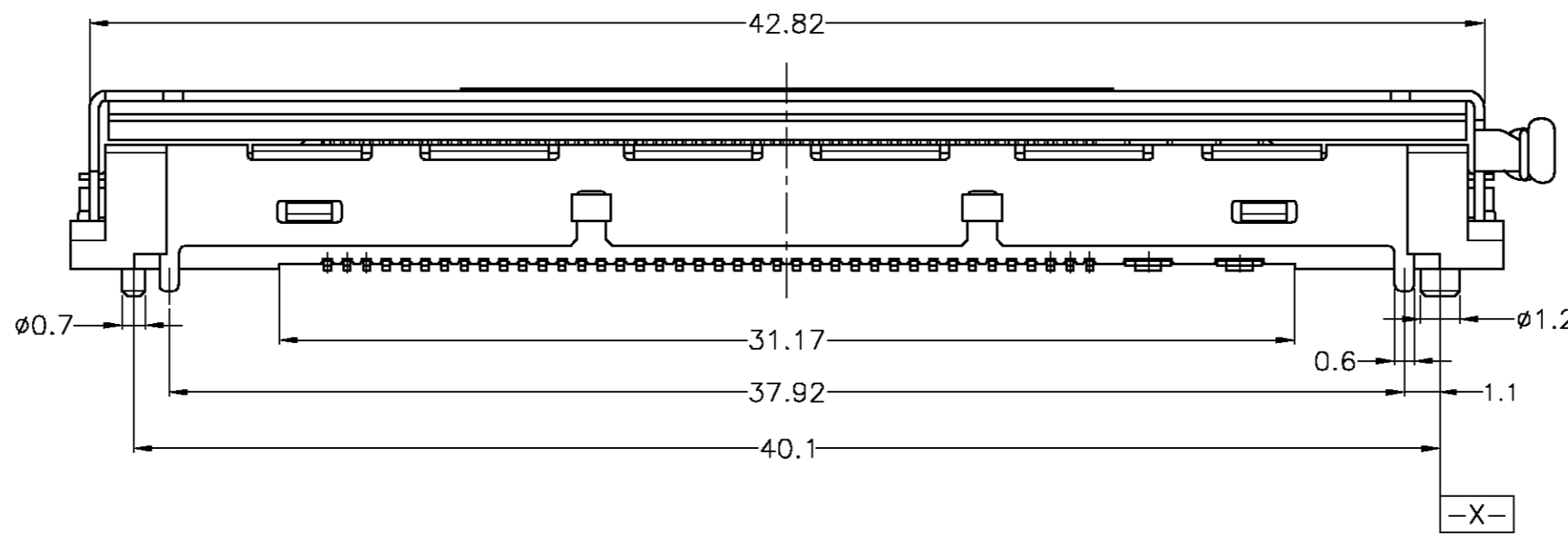
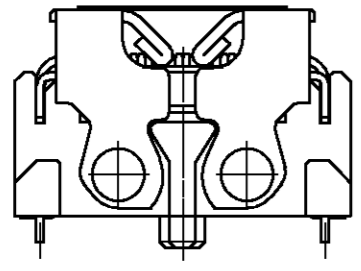
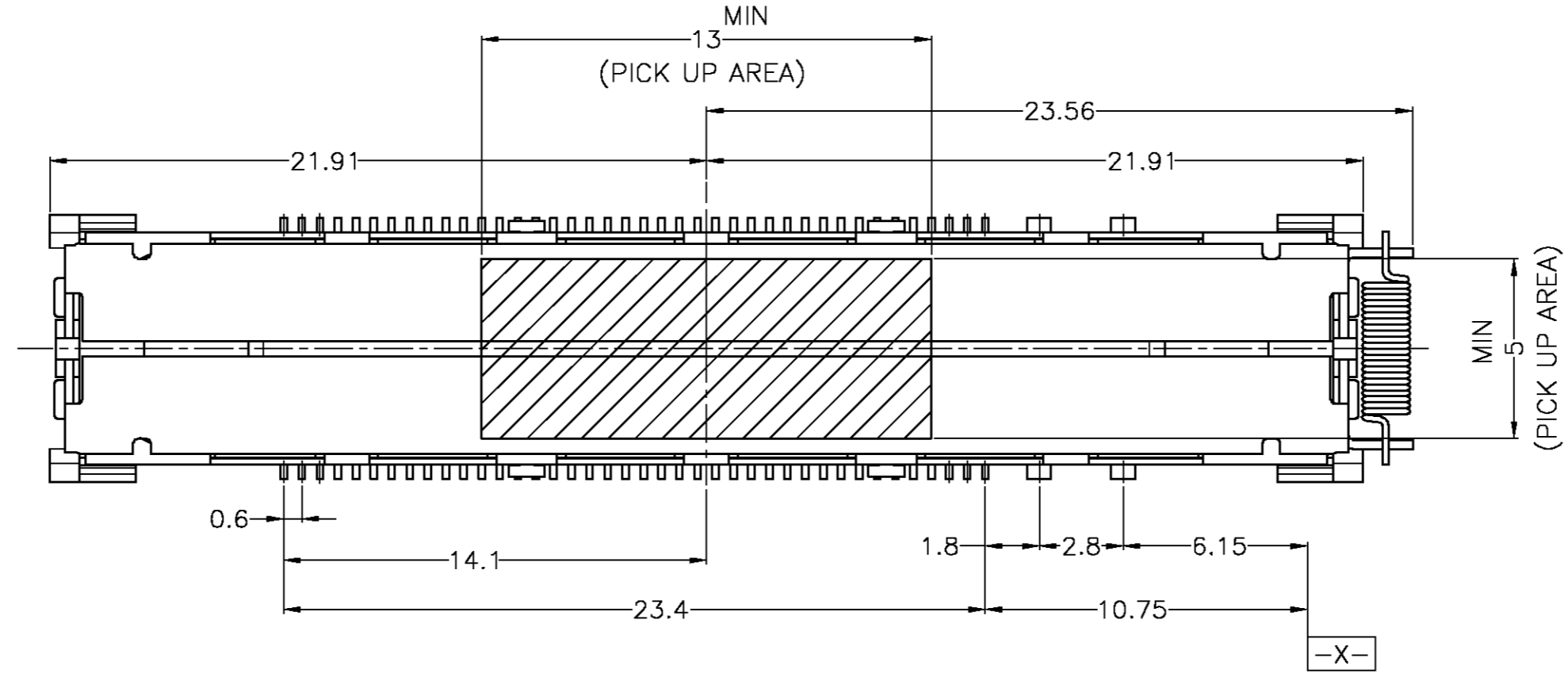
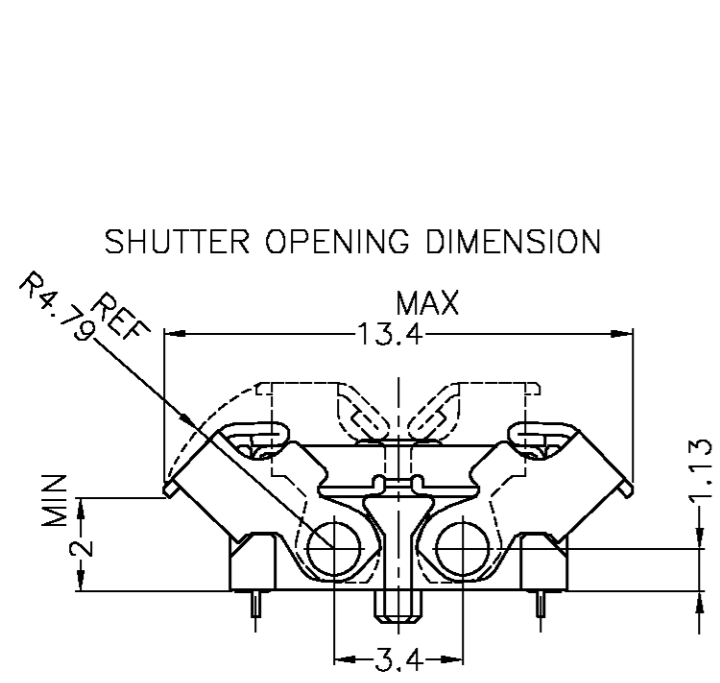


THIS DRAWING IS UNPUBLISHED. RELEASED FOR PUBLICATION
 © COPYRIGHT BY TYCO ELECTRONICS CORPORATION. ALL RIGHTS RESERVED.

LOC	DIST	REVISIONS					
J	-	P	LTR	DESCRIPTION	DATE	DWN	APVD
		E		REVISED(FJB0-1135-04)	10DEC04	M.K	Y.Y

-1,-2,-3 ; AS SHOWN



NOTE
 △ MATERIAL
 HOUSING : THERMOPLASTIC, UL94V-0, BLACK
 SIGNAL CONTACT: COPPER ALLOY
 POWER CONTACT : COPPER ALLOY
 GROUND PLATE : COPPER ALLOY
 SHUTTER COVER, SPRING : STAINLESS STEEL
 △ FINISH
 SIGNAL CONTACT & POWER CONTACT:
 Au PI. ON CONTACT AREA
 Sn-Pb PI. ON SOLDER AREA
 Ni UNDER PI. ALL OVER
 GROUND PLATE: 1674154-1 : TIN-PI. (REFLOW)
 1674154-2,-3 : SELECTIVE TIN-PI. (REFLOW)
 SHUTTER COVER: 1674154-1,-3 : BLACK Ni PL.
 1674154-2 : NO PLATING(SILVER COLOR)
 3 APPLICABLE THICKNESS OF P.C.BOARD :1.2±0.1mm
 4 CONNECTOR TO BE MATED :1674147-1,1674147-2
 5 TRAY MATERIAL ; PS COLOR ; NATURAL
 6 DIMENSION OF CONNECTOR AND RECOMMENDED P.C-BOARD LAYOUT : SEE DRAWING NUMBER 1674142-1
 7 THE DIRECTION OF EACH CONNECTOR ON A TRAY IS REFERRED TO THIS DRAWING.
 8 GENERAL TOLERANCE : ±0.3 ±3*
 9 QUANTITY : 50EA/TRAY

注記
 △ 材質
 ハウジング : 熱可塑性樹脂 UL94V-0, 黒
 シグナルコンタクト: 銅合金
 パワーコンタクト : 銅合金
 グランドプレート : 銅合金
 シャッターカバー、スプリング : ステンレス鋼
 △ 仕上げ
 シグナルコンタクト & パワーコンタクト :
 ニッケル下地接点部金めっき、はんだ付け部はんだめっき
 グランドプレート: 1674154-1 : ずめっき(リフロー)
 1674154-2,-3 : 部分ずめっき(リフロー)
 シャッターカバー: 1674154-1,-3 : 黒色ニッケルめっき
 1674154-2 : めっきなし(シルバー色)
 3 適用基板厚 : 1.2±0.1mm
 4 かん合相手型番 : 1674147-1,1674147-2
 5 トレイ 材質 ; PS 色 ; NATURAL
 6 コネクタの寸法と基板のレイアウトは 1674142-1 を参照のこと
 7 トレイの寸法とコネクタの方向は本図を参照のこと
 8 一般公差 : ±0.3 ±3*
 9 数量 : 50EA/TRAY

BLACK	SELECTIVE TIN-PLATED(REFLOW)	1674154-3
SILVER	SELECTIVE TIN-PLATED(REFLOW)	1674154-2
BLACK	TIN-PLATED(REFLOW)	1674154-1
SHUTTER COLOR	GROUND PLATE FINISH	PARTS NUMBER

THIS DRAWING IS A CONTROLLED DOCUMENT.

DIMENSIONS: 単位: 純 MM	TOLERANCES UNLESS OTHERWISE SPECIFIED 一般公差	DWN N.SASAME 90CT02	tyco Tyco Electronics AMP K.K. Kawasaki, Japan	
	0 PLC ±	CHK H.SHIRAI 90CT02	NAME Y.YAMAMOTO PRODUCT SPEC 108-5848 APPLICATION SPEC 取付適用規格	SIZE A2 CAGE CODE 00779 DRAWING NO 1674154 RESTRICTED TO -
	1 PLC ±	APVD Y.YAMAMOTO 90CT02		
	2 PLC ±	WEIGHT 3.0 g		
	3 PLC ±	CUSTOMER DRAWING		
4 PLC ±	SCALE 5:1	SHEET 1 OF 3		REV E

4

3

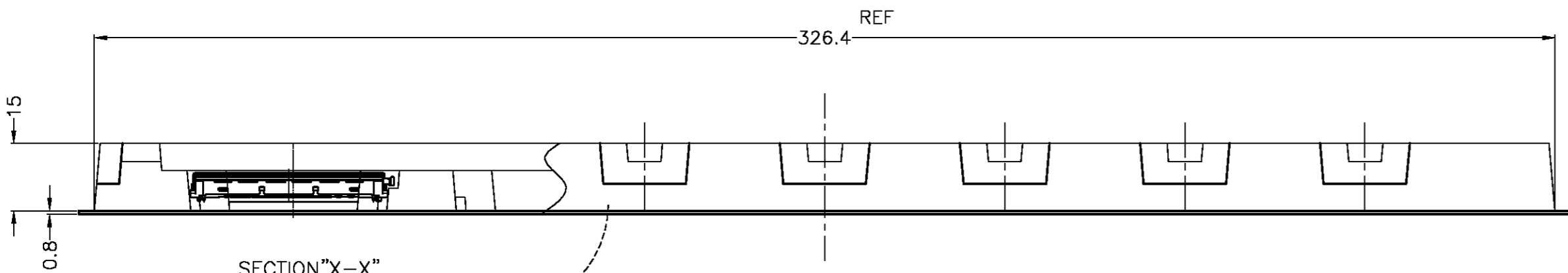
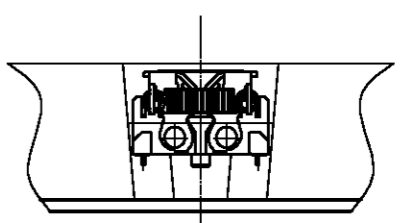
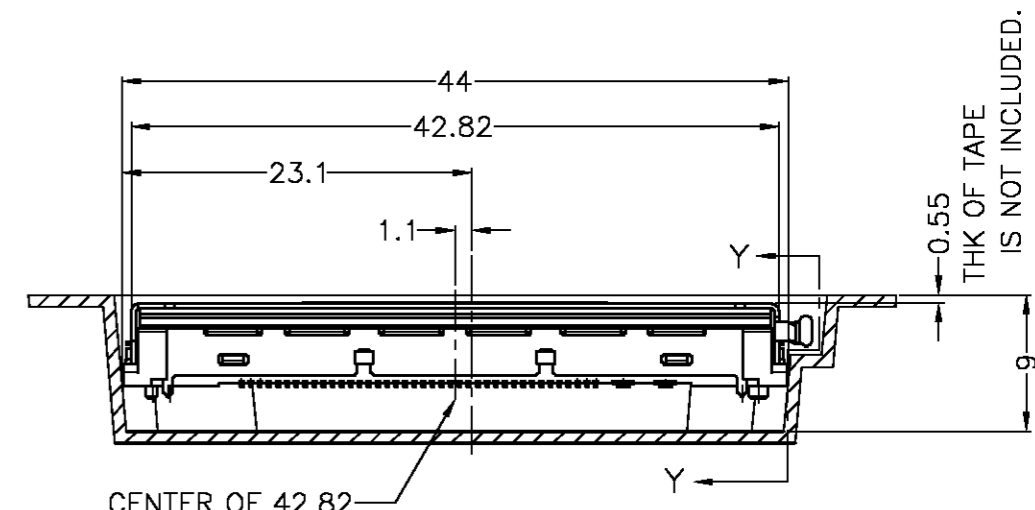
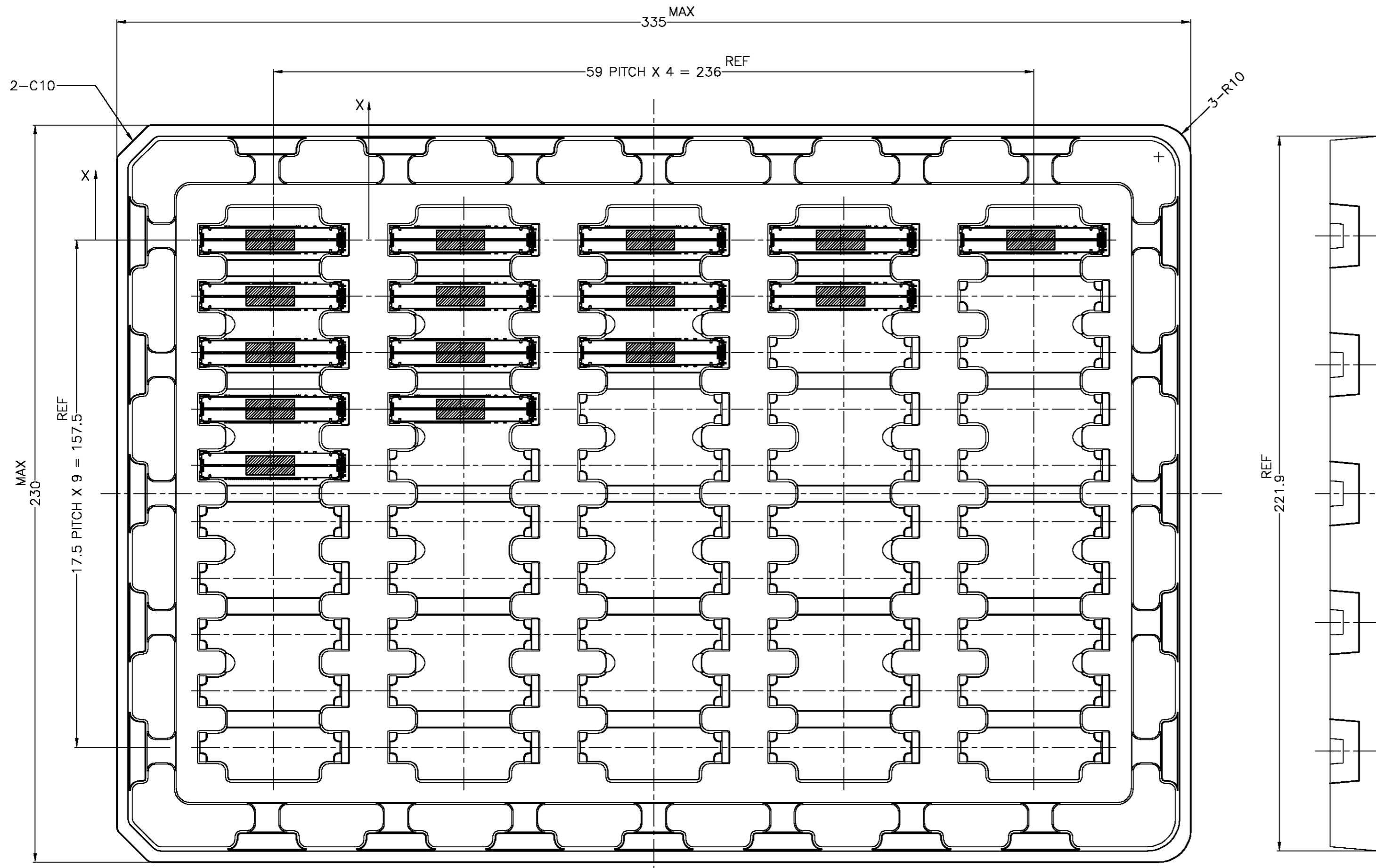
2

1

THIS DRAWING IS UNPUBLISHED. RELEASED FOR PUBLICATION
 © COPYRIGHT BY TYCO ELECTRONICS CORPORATION. ALL RIGHTS RESERVED.

LOC	DIST	REVISIONS					
J	-	P	LTR	DESCRIPTION	DATE	DWN	APVD
		-	-	SEE SHEET 1	-	-	-

SEMI HARD TRAY ASSY



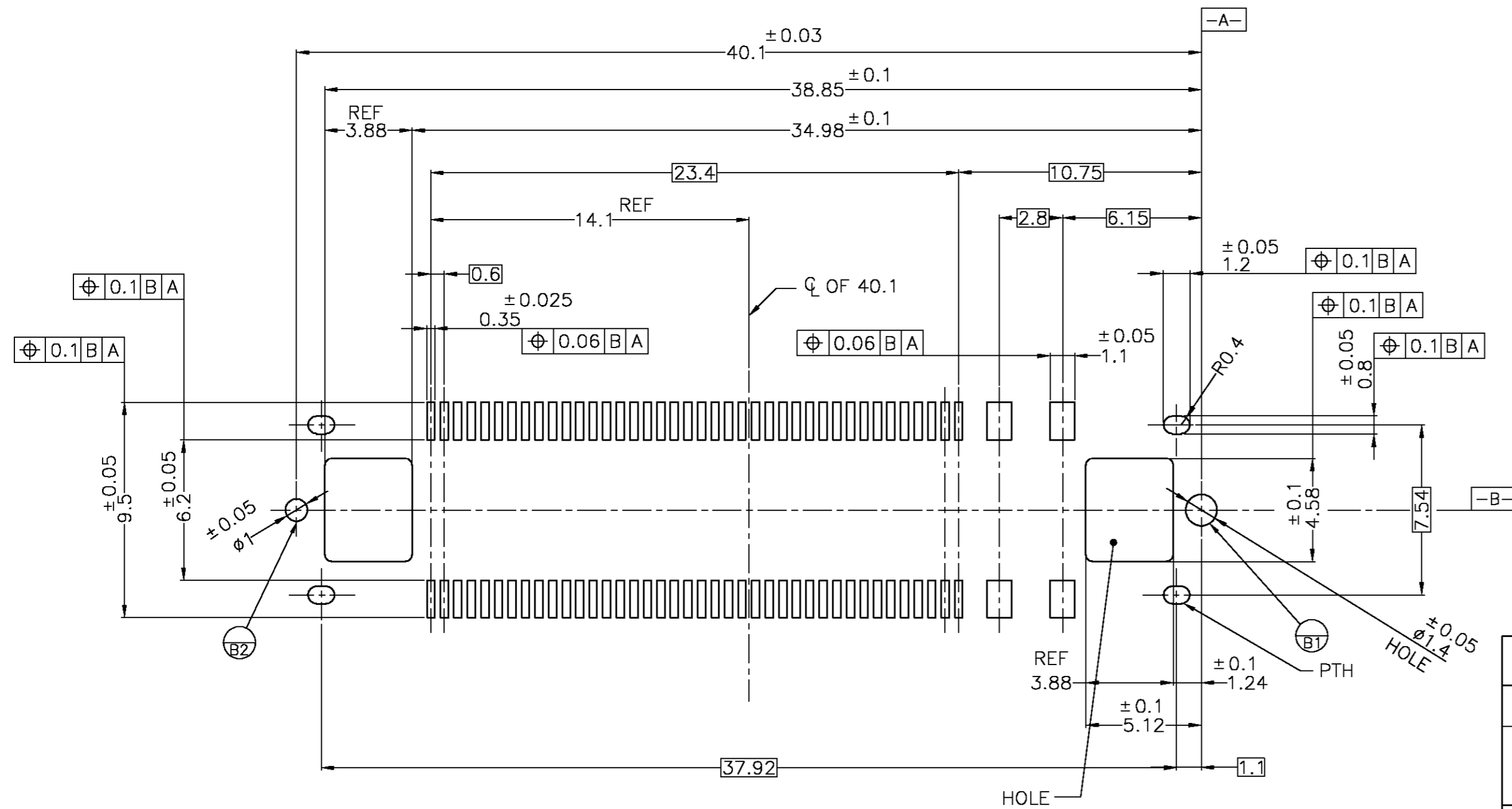
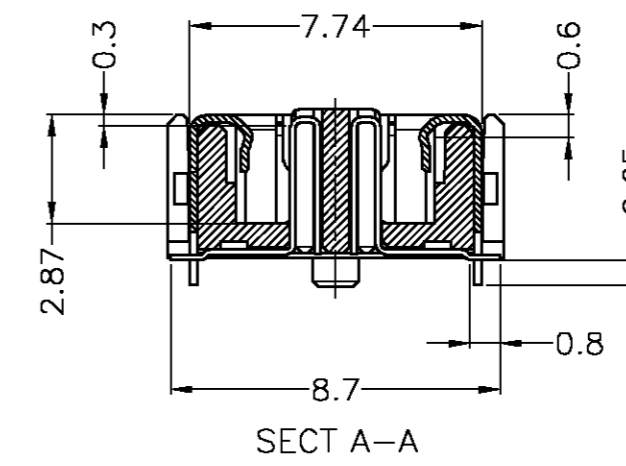
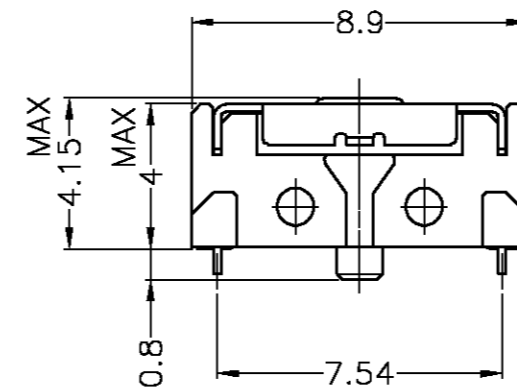
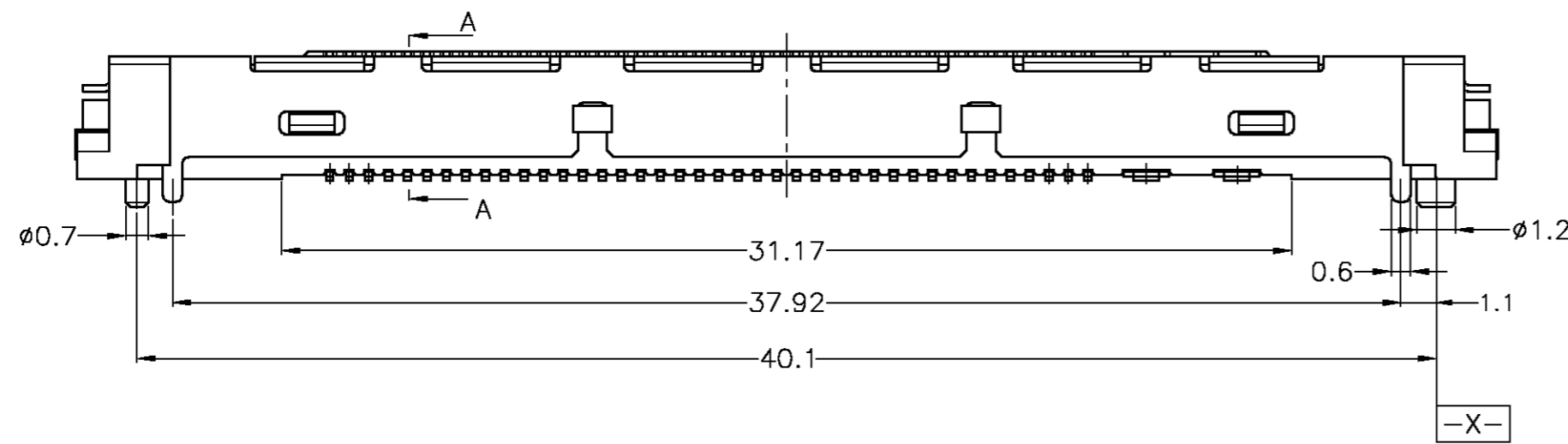
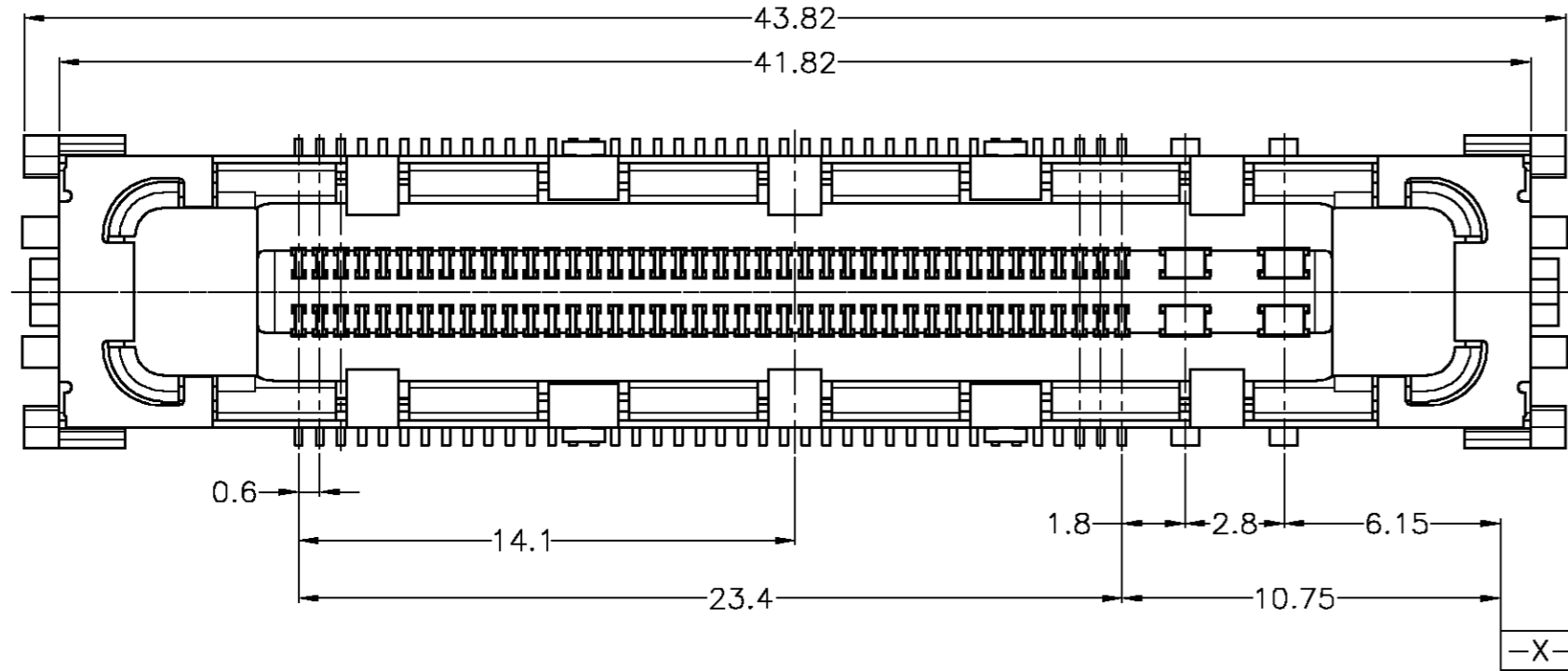
THIS DRAWING IS A CONTROLLED DOCUMENT.		DWN	tyco Tyco Electronics AMP K.K.	
DIMENSIONS: 单位: 转 MM		CHK	Kawasaki, Japan	
TOLERANCES UNLESS OTHERWISE SPECIFIED 一般公差		APVD	NAME 名称	
0 PLC ±	1 PLC ±	PRODUCT SPEC 製品規格	0.6 DOCKING CONNECTOR W/SHUTTER	
2 PLC ±	3 PLC ±	APPLICATION SPEC 取付適用規格	PLUG 80P + POWER 4P	
4 PLC ±	ANGLES ±	WEIGHT	SIZE A2	CAGE CODE 00779
FINISH 仕上		CUSTOMER DRAWING	DRAWING NO 番号 C=1674154	RESTRICTED TO -
			SCALE 尺庫 FREE	SHEET 2 OF 3
				REV E

1674154

THIS DRAWING IS UNPUBLISHED. RELEASED FOR PUBLICATION
 © COPYRIGHT BY TYCO ELECTRONICS CORPORATION. ALL RIGHTS RESERVED.

LOC	DIST	REVISIONS					
J	-	P	LTR	DESCRIPTION	DATE	DWN	APVD
				SEE SHEET 1			

WITHOUT SHUTTER



◎ RECOMMENDED P.C. BOARD LAYOUT

THIS DRAWING IS A CONTROLLED DOCUMENT.		DWN	
DIMENSIONS: 单位: 毫米 MM		CHK	
TOLERANCES UNLESS OTHERWISE SPECIFIED 一般公差		APVD	
0 PLC ±	1 PLC ±	PRODUCT SPEC	製品規格
2 PLC ±	3 PLC ±	APPLICATION SPEC	取付適用規格
4 PLC ±	ANGLES ±	WEIGHT	
MATERIAL 材料	FINISH 仕上	CUSTOMER DRAWING	

Tyco Electronics AMP K.K. Kawasaki, Japan		NAME 名称	0.6 DOCKING CONNECTOR W/SHUTTER
		PRODUCT SPEC	製品規格
		APPLICATION SPEC	取付適用規格
SIZE	CAGE CODE	DRAWING NO 番号	RESTRICTED TO
A2	00779	C=1674154	-
SCALE 尺度 FREE		SHEET 3 OF 3	REV E