

MODEL NUMBER
ADT-2854-FF-29M-02

REV.
1

NOTES:

1.0 MATERIALS:

- 1.1 HOUSING, LOCK NUTS AND LOCKWASHER
STAINLESS STEEL PER ASTM-A582, TYPE 303
- 1.2 CENTER CONTACT: BERYLLIUM COPPER ROD
ALLOY C172, PER ASTM-B196.
- 1.3 DIELECTRIC: PTFE FLUOROCARBON PER ASTM-D1457.

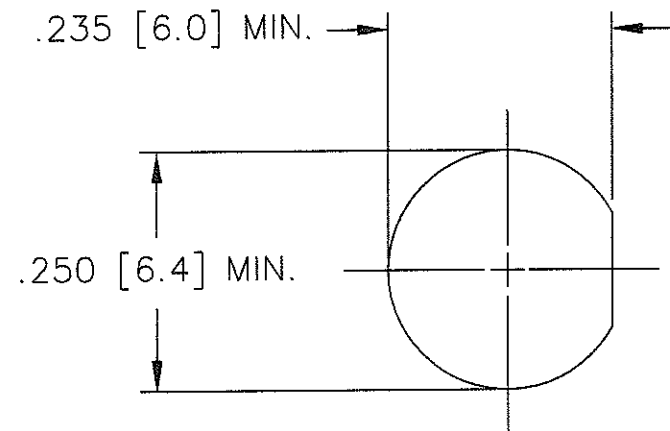
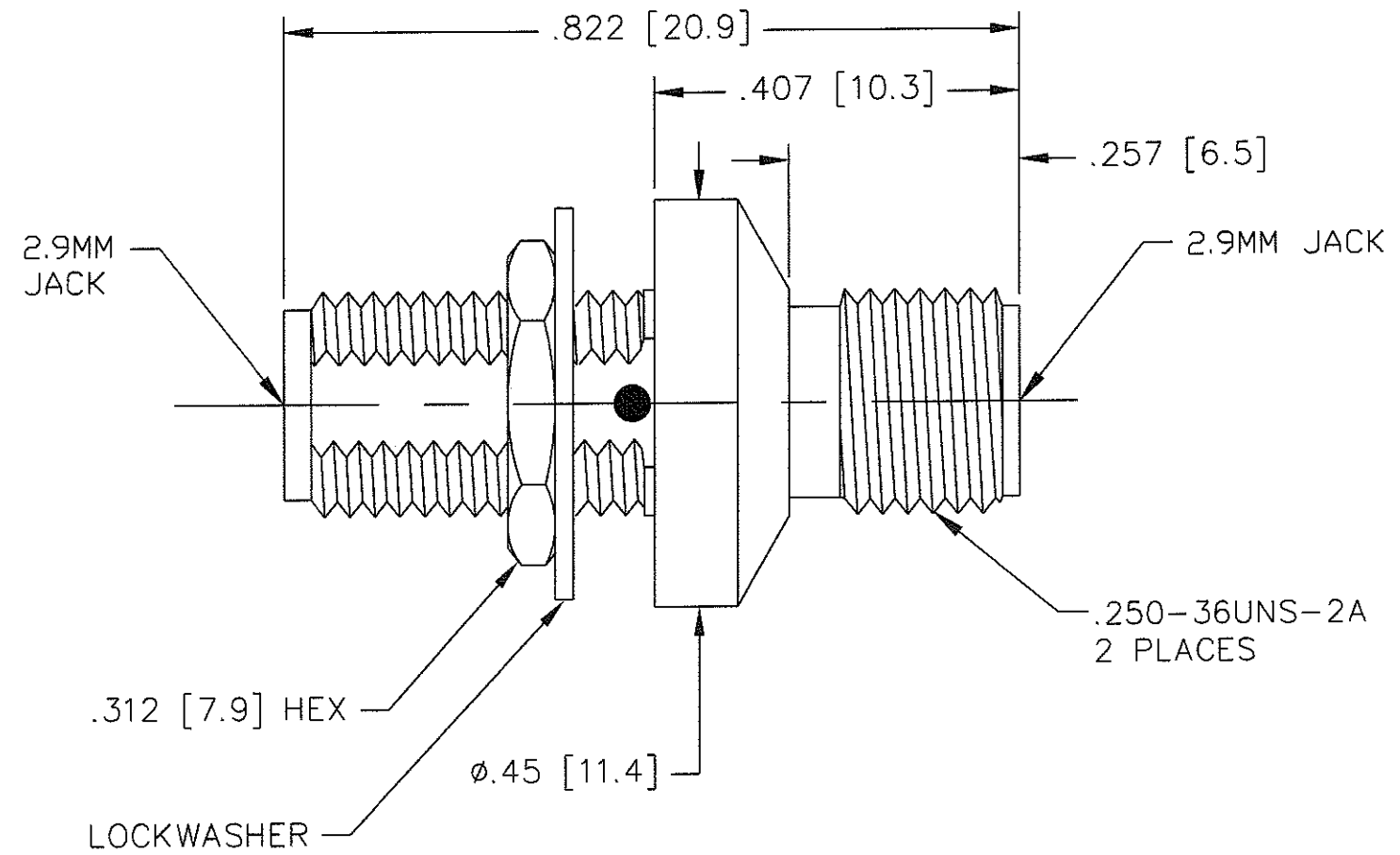
2.0 PLATING:

- 2.1 HOUSING, LOCK NUT AND LOCKWASHER:
PASSIVATED PER QQ-P-35 AND MIL-F-14072
- 2.2 CENTER CONTACT: GOLD PER MIL-G-45204,
TYPE II, CLASS 1

3.0 TESTING:

- 3.1 FREQUENCY RANGE: DC to 26.5 GHz
- 3.2 VSWR: 1.05 + .005f(GHz)

4.0 DIMENSIONS IN PARENTHESIS ARE IN MILLIMETERS.



RECOMMENDED MOUNTING HOLE

| | | |
|------|-------------|---------|
| REV. | DESCRIPTION | DATE |
| 1 | RELEASED | 9/19/02 |

| | | | |
|---|---|--------------------------------------|--------------|
| UNLESS OTHERWISE NOTED DIMENSIONS ARE IN INCHES AND TOLERANCES ARE: 3 PLACE DECIMALS ±.005 2 PLACE DECIMALS ±.02 FRACTIONS ±1/64 PARALLELITY: T.I.R. _____ FLATNESS: T.I.R. _____ CONCENTRICITY: T.I.R. _____ ANGLES AND PERPENDICULARITY: ±1° | FSCM NO. 34078 | MIDWEST MICROWAVE | |
| | NOTICE: The information contained in this drawing is proprietary and must not be used without the permission of Midwest Microwave | TITLE 2.9MM BULKHEAD JACK TO JACK | |
| DRAWN/DATE S.ORLOV 9/18/02 | ENG./DATE <i>[Signature]</i> 9.18.02 | DRAWING NUMBER ADT-2854-FF-29M-02 | |
| CHECKED/DATE | APPROVED/DATE | SCALE: 5=1 | SHEET 1 of 1 |